

DIAPHRAGM VACUUM PUMPS AND COMPRESSORS

DATA SHEET E 060



N 1200 ANE

Concept

The diaphragm pumps from KNF are based on a simple principal - an elastic diaphragm, fixed on its edge, moves up and down its central point by means of an eccentric. In this way the medium is transferred using automatic valves.

Thanks to the KNF modular system, the parts used to transfer the gases can be made from materials with varying degrees of durability. Several different drive motors are available. Please contact us for more information.

ATEX versions available upon request.



N 1400.1 ANE

Features

Uncontaminated flow

No contamination of the media due to oil-free operation

Maintenance-free

Corrosion resistant models

High level of gas tightness

Long product life

Very quiet and little vibration

Cool running motor

even when in constant use

Ready for assembly

Can operate in any installed position



N 1400.2 ANE

Areas of use

The diaphragm pumps offer a high level of performance despite their small size, as well as an excellent price performance ratio. They are required especially in the fields of analysis, medicine and production technology.

The pumps are used for transferring and sucking gases, taking samples (even liquids in a vacuum), evacuating vessels and compressing gases in process systems and vessels.

Performance data

Type	Delivery (l/min)	Vacuum (mbar absolute)	atmospheric pressure	Pressure (bar g)	Weight (kg)
N 1200 ANE	150	100		6	30
N 1400.3 ANE	150	20		35	
N 1400.1 ANE	300	100		35	
N 1400.2 ANE	300	100	6	35	
N 2400.15 ANE	150		12	52	

N 1200 ANE | N 1200 ATE

Performance data

Type	Delivery at atm. pressure (l/min) ¹⁾	Max. operating pressure (bar g)	Ultimate vacuum (mbar abs.)
N 1200 ANE	150	6	100
N 1200 ATE	128	6	100

¹⁾ Liter at STP

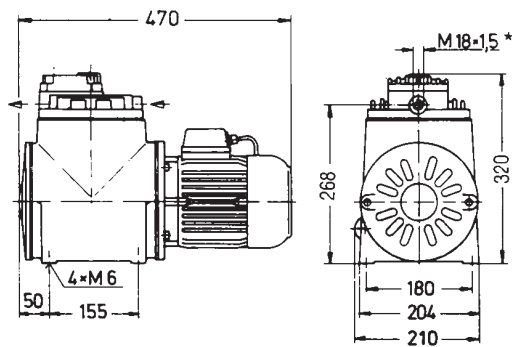
Motor data

Protection class	IP 44	IP 44
Voltage (V)	1~ 230	3~ 230/400
Frequencies (Hz)	50	50
Power P ₁ (W)	900	900
I _{max} (A)	4.0	6.8/3.2

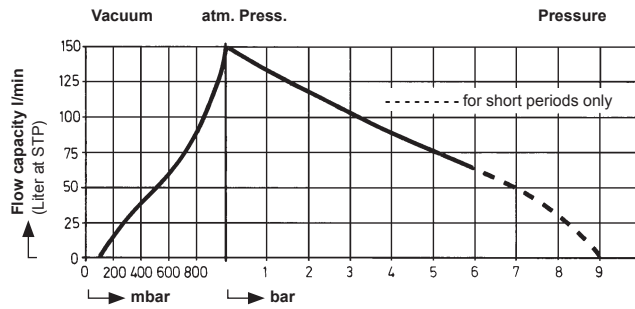
Pump material

Type	Pump head	Diaphragm	Valves
N 1200 ANE	Aluminum	CR	Stainless steel
For slightly aggressive and corrosive gases and vapors			
N 1200 ATE	Aluminum	PTFE-coated	Stainless steel

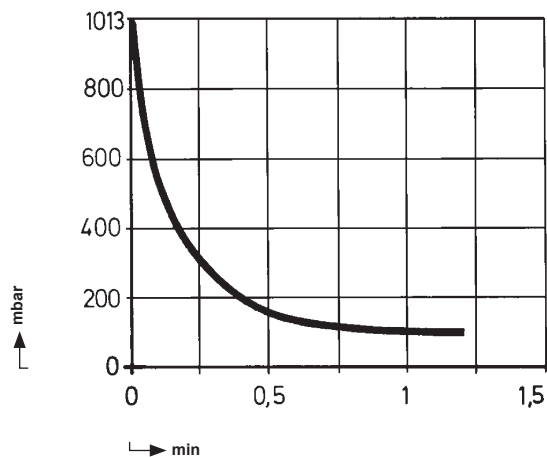
N 1200 ANE | N 1200 ATE



N 1200 ANE



Pump down time 20 l receiver | N 1200 ANE



N 1400.1 ANE | N 1400.1 ATE

Performance data

Type	Delivery at atm. pressure (l/min) ¹⁾	Max. operating pressure (bar g)	Ultimate vacuum (mbar abs.)
N 1400.1 ANE	300	-	100
N 1400.1 ATE	255	-	100

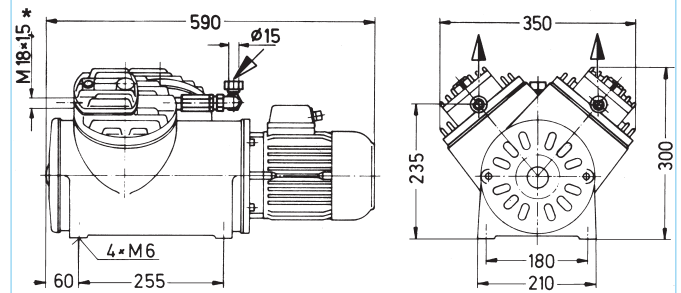
Motor data

Protection class	IP 44
Voltage (V)	3~ 230/400
Frequencies (Hz)	50
Power P ₁ (W)	1700
I _{max} (A)	6.8/3.4

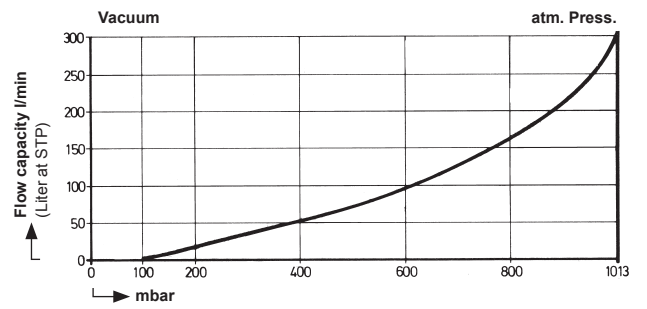
Pump material

Type	Pump head	Diaphragm	Valves
N 1400.1 ANE	Aluminum	CR	Stainless steel
For slightly aggressive and corrosive gases and vapors			
N 1400.1 ATE	Aluminum	PTFE-coated	Stainless steel

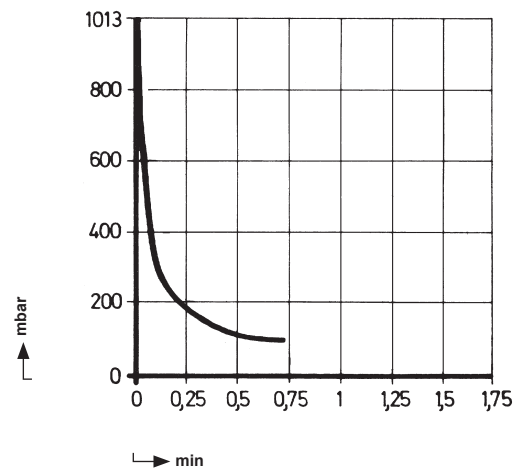
N 1400.1 ANE | N 1400.1 ATE



N 1400.1 ANE



Pump down time 20 l receiver | N 1400.1 ANE



N 1400.2 ANE | N 1400.2 ATE

Performance data

Type	Delivery at atm. pressure (l/min) ¹⁾	Max. operating pressure (bar g)	Ultimate vacuum (mbar abs.)
N 1400.2 ANE	300	6	100
N 1400.2 ATE	255	6	100

¹⁾ Liter at STP

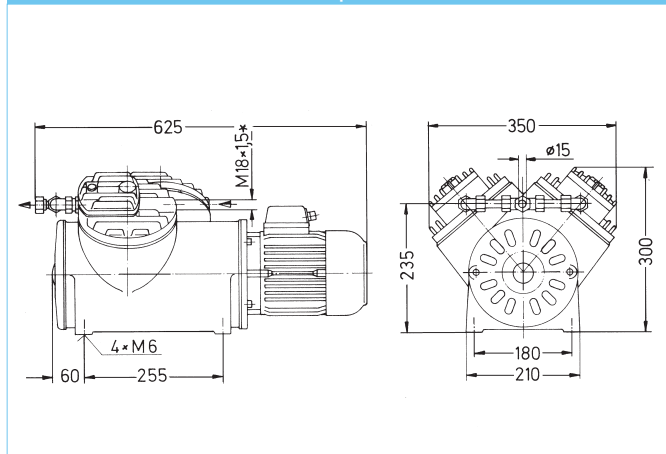
Motor data

Protection class	IP 44
Voltage (V)	3~ 230/400
Frequencies (Hz)	50
Power P ₁ (W)	1700
I _{max} (A)	6.8/3.4

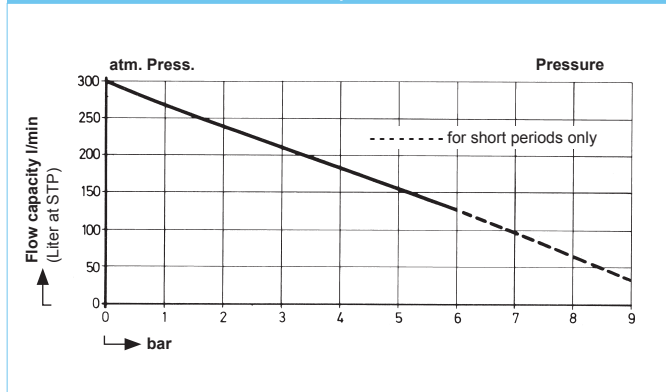
Pump material

Type	Pump head	Diaphragm	Valves
N 1400.2 ANE	Aluminum	CR	Stainless steel
For slightly aggressive and corrosive gases and vapors			
N 1400.2 ATE	Aluminum	PTFE-coated	Stainless steel

N 1400.2 ANE | N 1400.2 ATE



N 1400.2 ANE | N 1400.2 ATE



N 1400.3 ANE | N 1400.3 ATE

Performance data

Type	Delivery at atm. pressure (l/min) ¹⁾	Max. operating pressure (bar g)	Ultimate vacuum (mbar abs.)
N 1400.3 ANE	150	-	20
N 1400.3 ATE	128	-	20

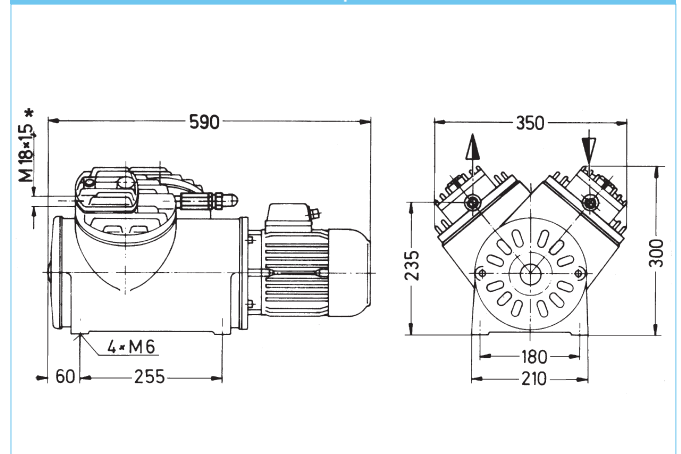
Motor data

Protection class	IP 44
Voltage (V)	3~ 230/400
Frequencies (Hz)	50
Power P ₁ (W)	1700
I _{max} (A)	6.8/3.4

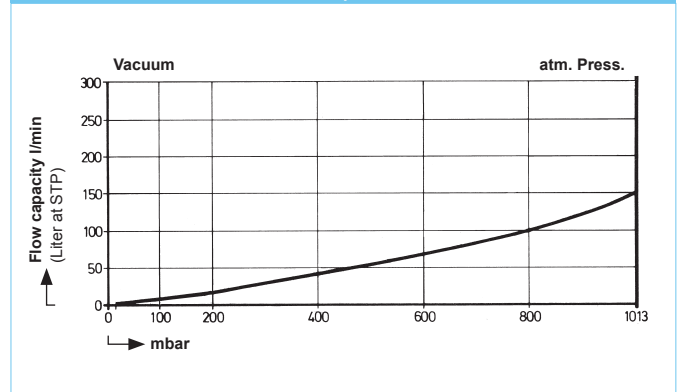
Pump material

Type	Pump head	Diaphragm	Valves
N 1400.3 ANE	Aluminum	CR	Stainless steel
For slightly aggressive and corrosive gases and vapors			
N 1400.3 ATE	Aluminum	PTFE-coated	Stainless steel

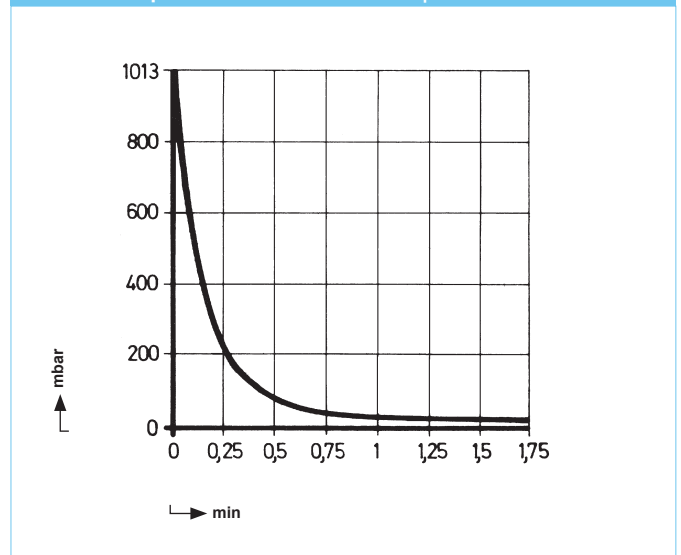
N 1400.3 ANE | N 1400.3 ATE



N 1400.3 ANE | N 1400.3 ATE



Pump down time 20 l receiver | N 1400.3 ANE



N 2400.15 ANE*

Performance data

Type	Delivery at atm. pressure (l/min) ¹⁾	Max. operating pressure (bar g)	Ultimate vacuum (mbar abs.)
N 2400.15 ANE	150	12	

¹⁾ Liter at STP

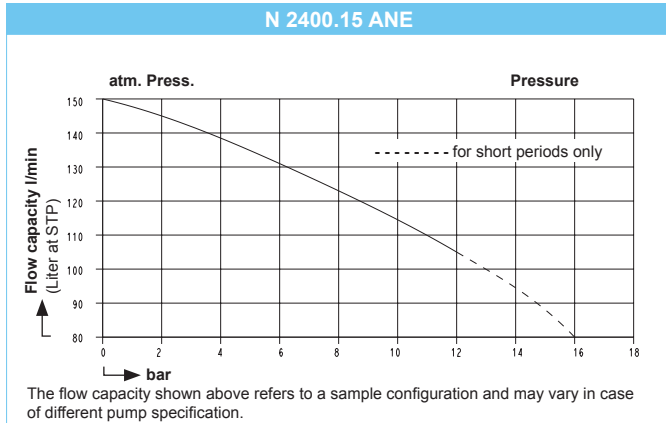
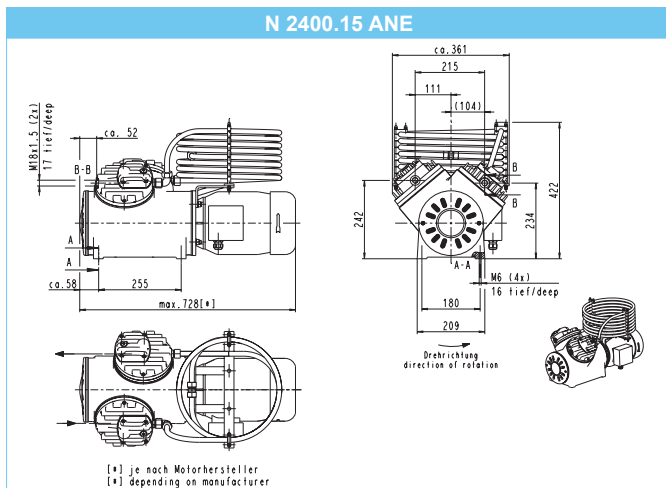
* This pump type is available as project pump only

Motor data

Protection class	IP 44
Voltage (V)	3~ 230/400
Frequencies (Hz)	50
Power P ₁ (W)	3000
I _{max} (A)	12.1/7.0

Pump material

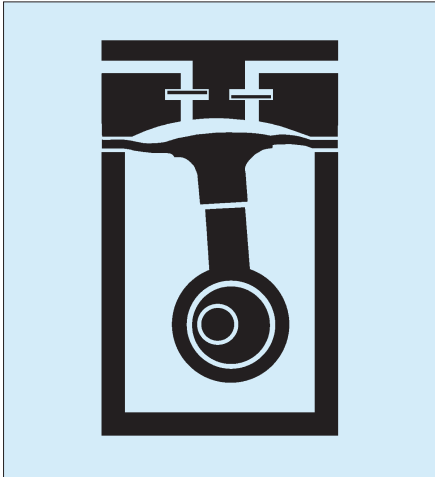
Type	Pump head	Diaphragm	Valves
N 2400.15 ANE	Aluminum	CR	Stainless steel



HINTS ON FUNCTION, INSTALLATION AND TECHNIQUE

Function of KNF diaphragm vacuum pumps and compressors

An elastic diaphragm is moved up and down by an eccentric (see illustration). On the down-stroke it draws the air or gas being handled through the inlet valve. On the up-stroke the diaphragm forces the medium through the exhaust valve and out of the head. The compression chamber is hermetically separated from the drive mechanism by the diaphragm. The pumps transfer, evacuate and compress completely oil-free.



Hints on installation and operation

- Range of use: Transferring air and gases at temperatures between +5 °C and +40 °C.
- Please check the compatibility of the materials of the pump head, diaphragm and valves with the medium.
- The KNF product line contains pumps suitable for pumping aggressive gases and vapors - please contact us.
- Permissible ambient temperature: between +5 °C and +40 °C.
- The standard pumps are not suitable for use in areas where there is a risk of explosion. In these cases there are other products in the KNF program - please ask us for details.
- The pumps are not designed to start against pressure or vacuum; when a pump is switched on the pressure in the suction and pressure lines must be atmospheric. Pumps that start against pressure or vacuum are available on request.
- To prevent the maximum operating pressure being exceeded, restriction or regulation of the air flow should only be carried out in the suction line.
- Components connected to the pump must be designed to withstand the pneumatic performance of the pump.
- Install the pump so that the fan can draw in sufficient cooling air.
- Fit the pump at the highest point in the system, so that condensate cannot collect in the head of the pump - that prolongs working-life.

Description	Accessories	
	Order No.	Details
Pressure relief valve R 1/4"	047601	4 bar
Pressure relief valve R 1/4"	047602	7 bar
Plain fitting stainless steel (Ermeto)	002014	M18x1.5, tube OD 15
Gasket copper	001988	
Suction filter	000358	M18x1.5

KNF Neuberger GmbH Pumps + Systems

Alter Weg 3
D-79112 Freiburg, Germany
Tel. +49 7664 5909 0
Fax +49 7664 5909 99
info@knf.de
www.knf.de

YOUR LOCAL PARTNER AROUND THE WORLD

KNF SALES ORGANIZATION

Australia KNF Regional Office
Moreland West VIC 3055
Tel. +61 3 9386 4959
info@knf.com.au
www.knf.com.au

Benelux Netherlands KNF Verder B.V.
3451 GG Vleuten
Tel. +31 30 677 92 40
info@knf-verder.nl
www.knf-verder.nl

Benelux Belgium and Luxemburg
KNF Verder N.V.
2630 Aartselaar
Tel. +32 3 871 96 24
info@knf.be
www.knf.be

China KNF Technology (Shanghai) Co., Ltd.
Shanghai 201203
Tel. +86 21 5109 9695
info@knf.com.cn
www.knf.com.cn

France KNF Neuberger SAS
68128 Village-Neuf
Tel. +33 389 70 35 00
info@knf.fr
www.knf.fr

Germany KNF Neuberger GmbH
79112 Freiburg
Tel. +49 7664 5909 0
info@knf.de
www.knf.de

India KNF Pumps + Systems (India) Pvt. Ltd.
Hinjewadi Pune 411 057
Tel. +91 20 640 13 923
info@knfpumps.in
www.knfpumps.in

Italy KNF Italia S.r.l.
20063 Cernusco s. Naviglio (MI)
Tel. +39 02 929 04 91
info@knf.it
www.knf.it

Japan KNF Japan Co. Ltd.
Tokyo 104-0033
Tel. +81 3 3551 7931
info@knf.co.jp
www.knf.co.jp

Korea KNF Neuberger Ltd.
135-502 Seoul
Tel. +82 2 959 0255
knf@knfkorea.com
www.knfkorea.com

Latin America KNF Regional Office
Tel. +1 609 649 1010
gb@knf.com
www.knf.com/es

Morocco, Tunisia, Algeria
KNF Neuberger SAS
68128 Village-Neuf
Tel. +33 389 70 35 00
info@knf.fr
www.knf.fr

Singapore KNF Regional Office
Tel. +65 9722 1994
info@knf.com.sg
www.knf.com.sg

Sweden, Finland, Denmark, Norway
KNF Neuberger AB
117 43 Stockholm
Tel. +46 8 744 51 13
info@knf.se
www.knf.se

Switzerland KNF Neuberger AG
8362 Balzerswil
Tel. +41 71 973 99 30
knf@knf.ch
www.knf.ch

UK, Ireland KNF Neuberger U.K., Ltd.
Witney, Oxfordshire OX28 4FA
Tel. +44 1993 77 83 73
info@knf.co.uk
www.knf.co.uk

USA, Canada KNF Neuberger, Inc.
Trenton, NJ 08691-1810
Tel. +1 609 890 8600
knfusa@knf.com
www.knfusa.com

KNF PRODUCT CENTERS

Gas Pumps KNF Neuberger GmbH
DE-79112 Freiburg
info@knf.de
www.knf.de

Micro Gas Pumps KNF Micro AG
CH-6260 Reiden
info@knf-micro.ch
www.knf-micro.ch

Liquid Pumps KNF Flodos AG
CH-6210 Sursee
info@knf-flodos.ch
www.knf-flodos.ch