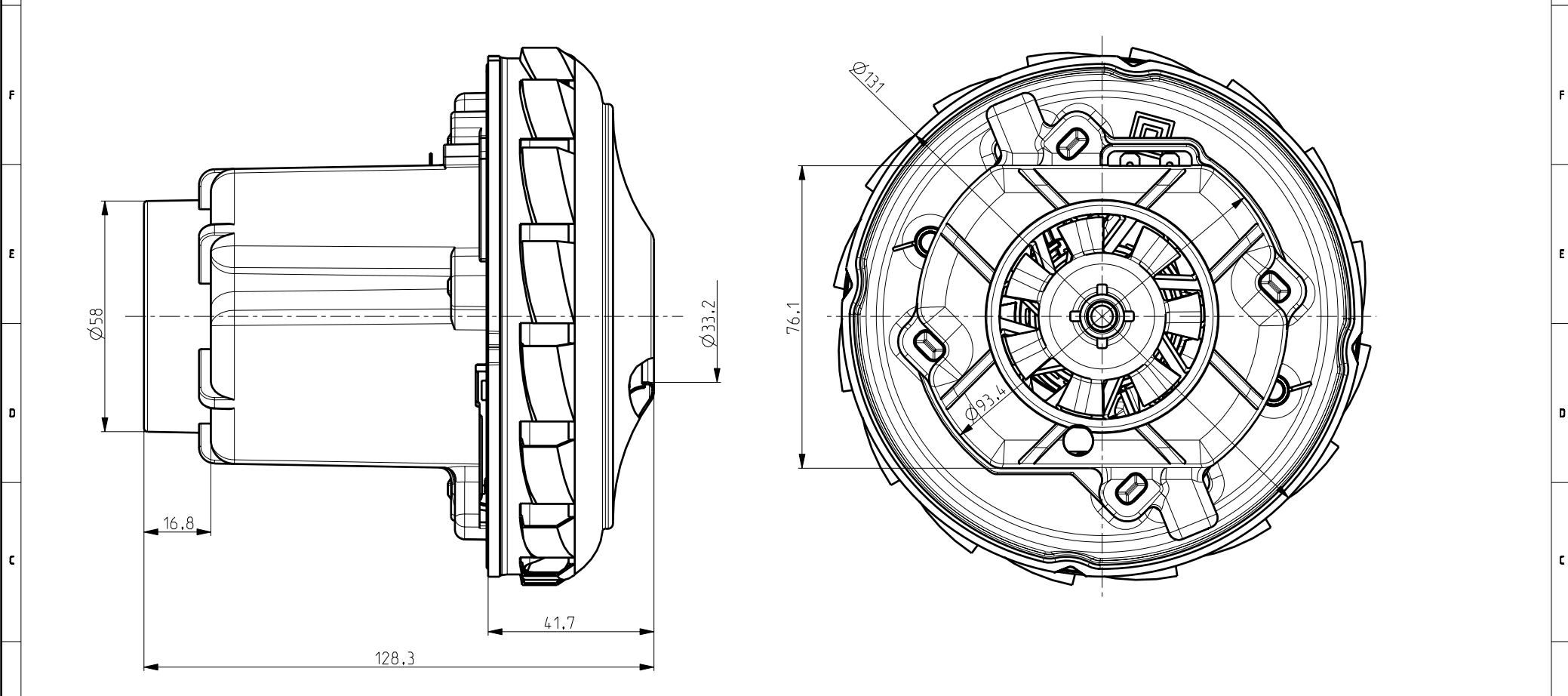


izdelano s CAD/ProEngineer - ročno spreminjanje ni dovoljeno! Vsak prenos tretjim osebam ali uporaba v nedogovorjene namene ni dovoljena po zakonu o avtorskih pravicah.
 made with CAD/ProEngineer - changing is not allowed! Any unauthorized copying of this drawing or unauthorized distribution of the information contained herein is prohibited.

1	2	3	4	5	6	7	8	9
NAPETOST VOLTAGE	230 V	DVOJNA IZOLACIJA DOUBLE INSULATED						
FREKVENCA FREQUENCY	50 Hz							
NAZIVNA MOČ NOMINAL POWER	1200 W							



Oznake natisnjene na SE:
Information stamped on VCM:

DOMEL 467.3.402-5
 230 V 50 Hz
 I.CL.H
 YYWWD S NNNN
 MADE IN SLOVENIA

OSNOVNE ZNAČILNOSTI		TYPICAL CHARACTERISTICS	
IZVEDBA	ENOSTOPENJSKA	FAN SYSTEM	SINGLE STAGE
VLEŽAJENJE	DVA KROGLIČNA LEŽAJA	BEARINGS	DUAL BALL
VRSTA PRETOKA	MIMO MOTORJA	DISCHARGE	BY PASS
SMER VRTENJA	DESNA	DIRECTION OF ROTATION	CW

Tolerance odprtih mer Tolerances without individual indications		Površinska hrapavost Surface finishing		Merilo Scale		Original format	
ISO 2768 - m				1:2		ISO 5457 - A3	
Izdelal Designed		Datum/Date		Ime/Name		Naziv Title	
19.03.2007		10.03.2008		Novinc M.		Močnik A.	
Pregl. Verified						Koda Code	
						467.3.402-5	
A0		8499		10.03.08		Novinc M.	
Dzn. Mark		Šf. obvestila Nr. of notice		Datum Date		Ime Name	
						Otoki 21, 4228 Zatezniki, Slovenija	
						List Sheet 3+	
						Stran Page 1	
						4673402005_SESALNA_ENOTA	



Sesalna enota