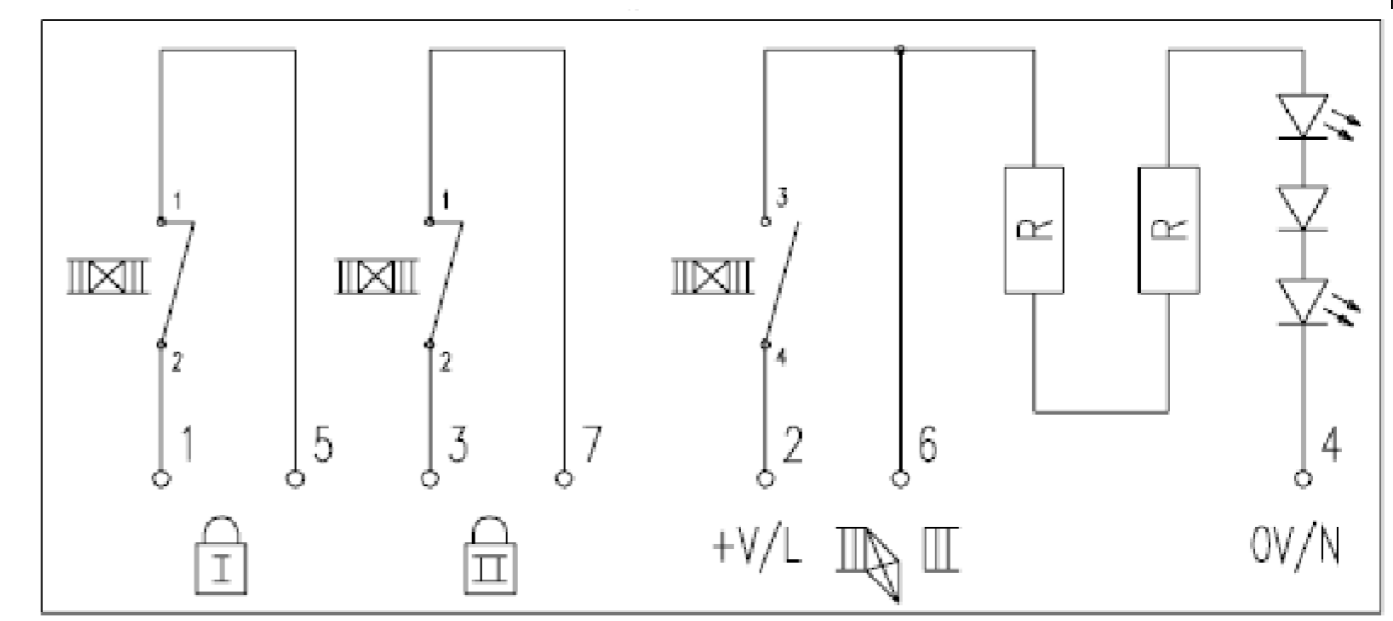


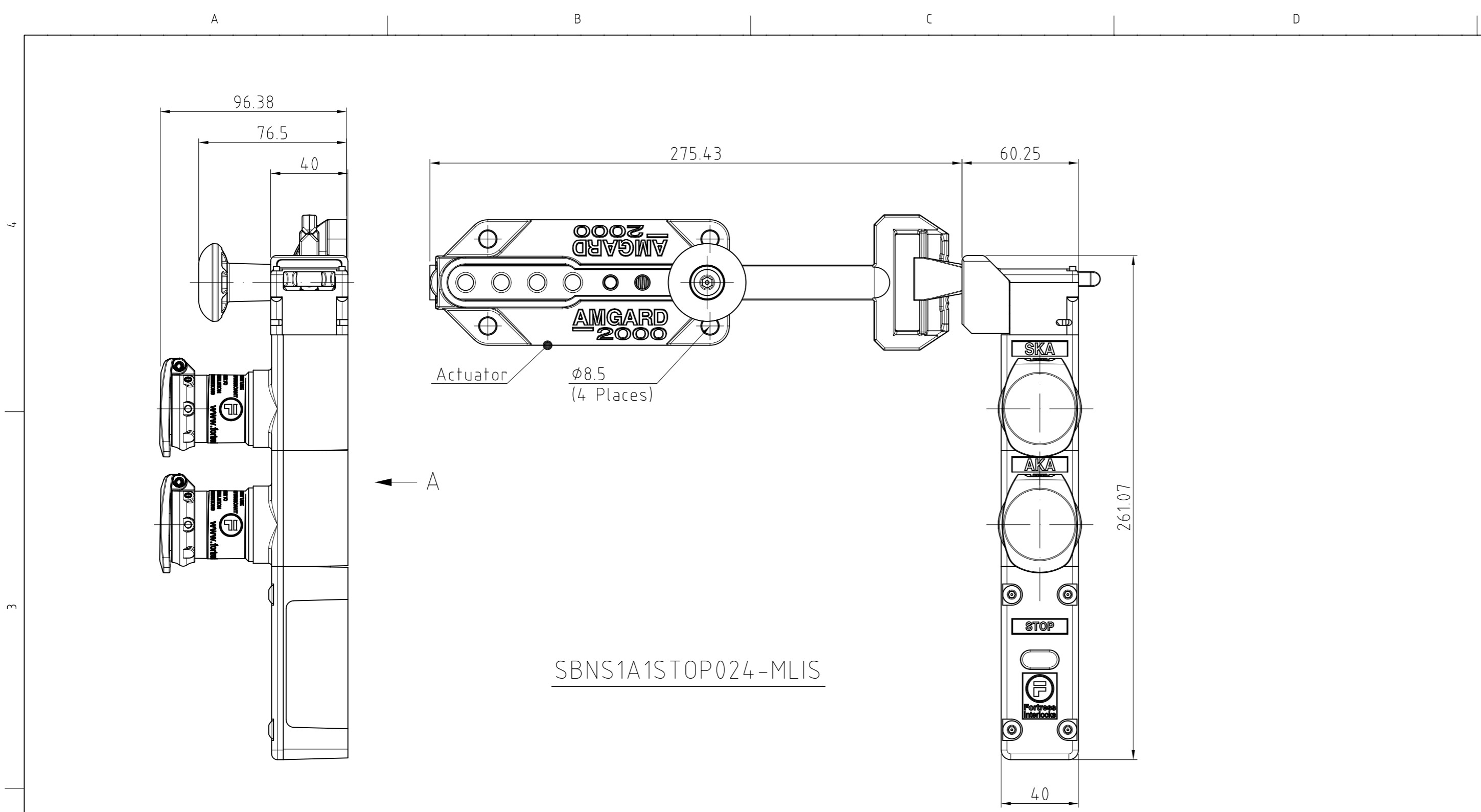
Technical Specification

Switching Contact Element	2NC and 1NO
Switching Principal	Positive Break
Switch Control	3A
Switching Voltage	230V AC Max
Isolating Distance	2 x 2mm Per Switch Element
Element Contact Material	90% Silver and 10% Nickel
Utilization Category	AC 15 or DC 13
Control Voltages	24V AC/DC, 48V AC/DC, 110V AC, 220V AC or 230V AC
Insulating Resistance	20M Ohm
Insulating Voltage	2,500V AC

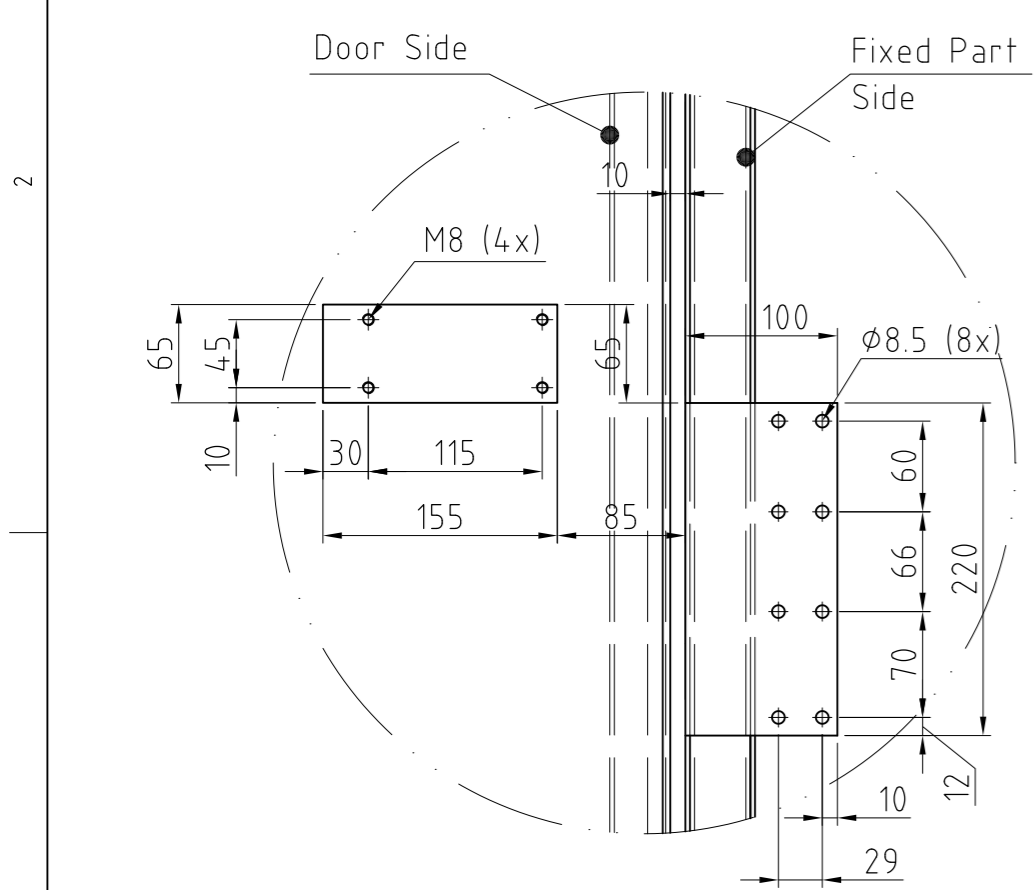
Features & Benefits

- Non-Solenoid Controlled
- LED Status indicators for greater control
- Dual channel safety circuitry
- Suitable for category 4 applications

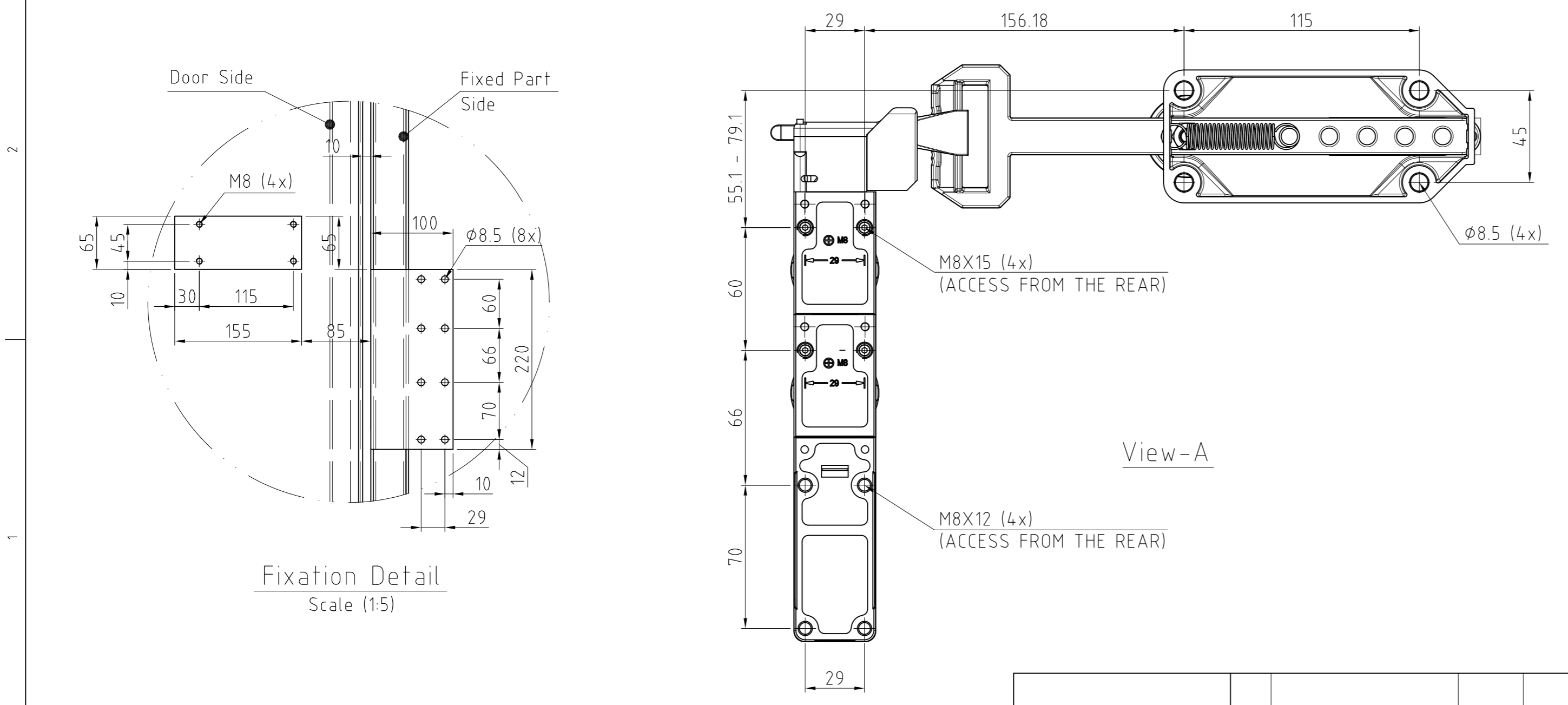




SBNS1A1STOP024-MLIS



Fixation Detail
Scale (1:5)



View-A