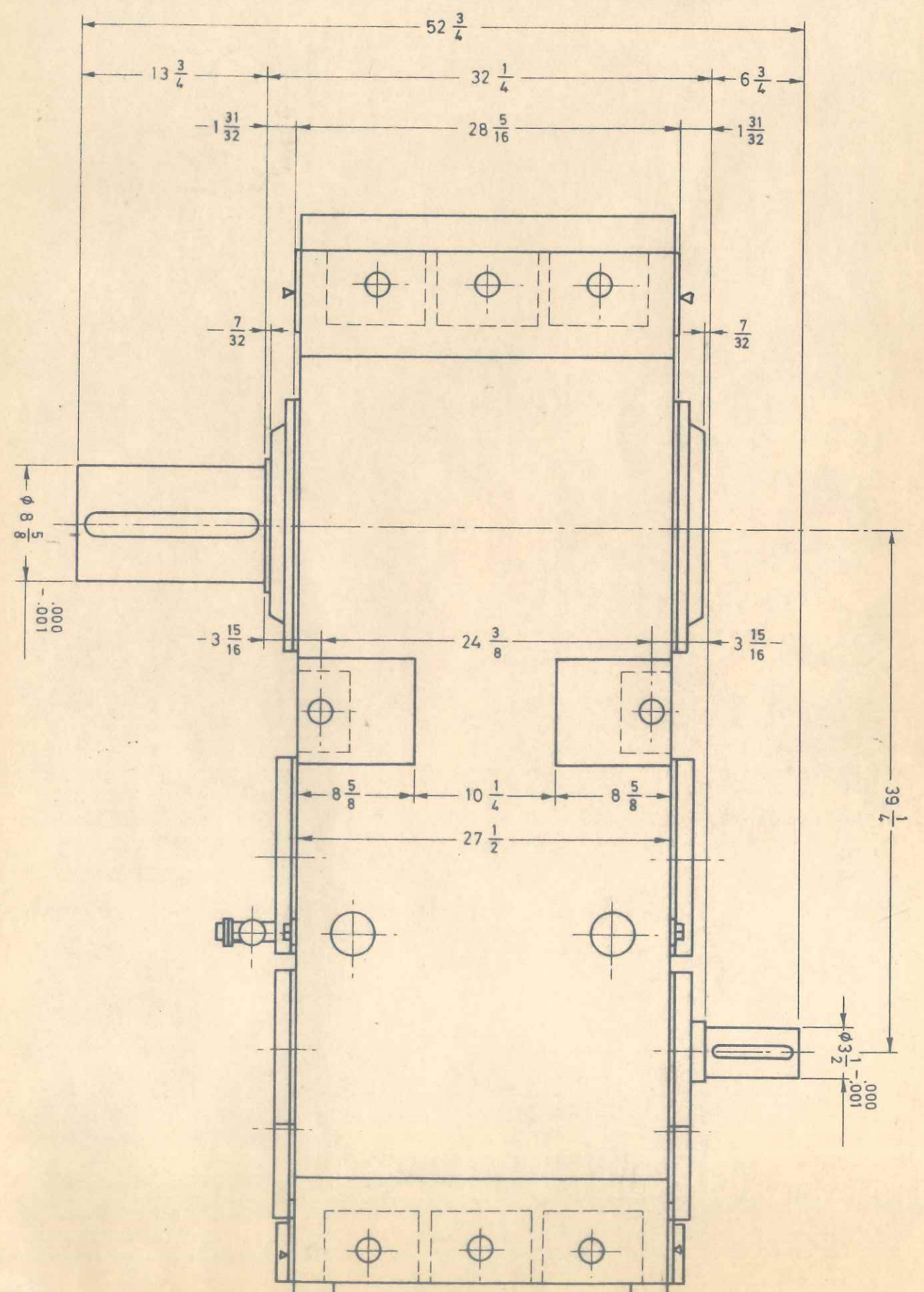
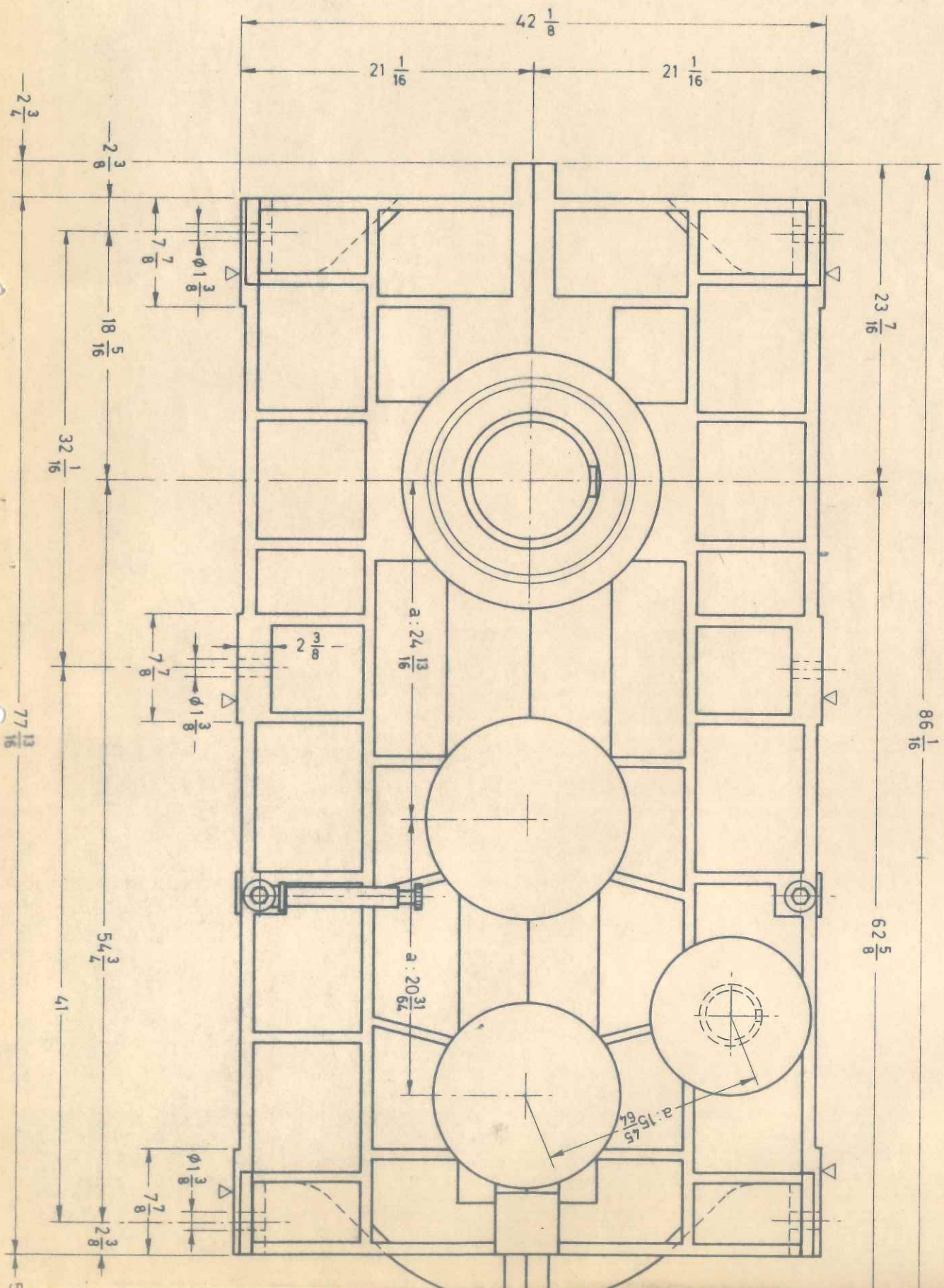
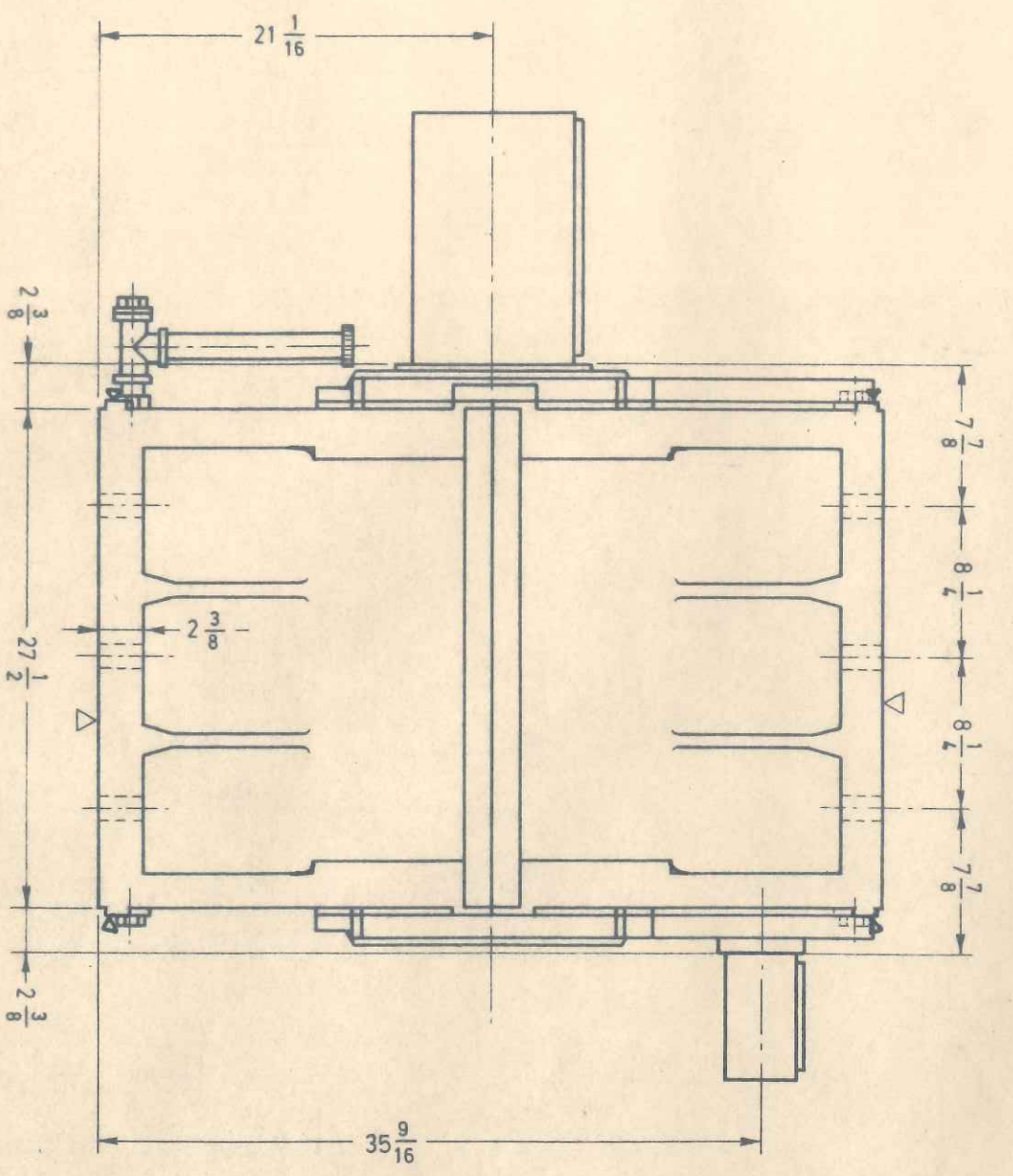
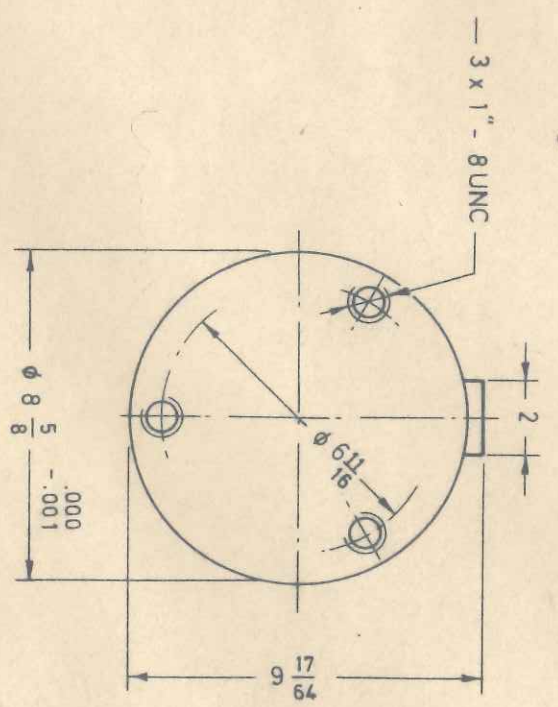
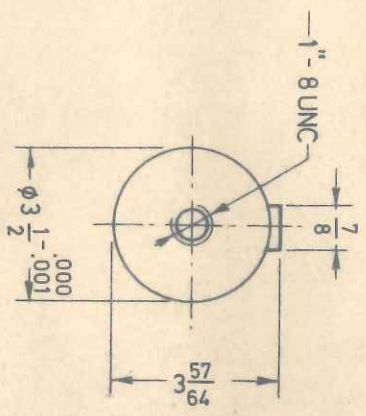


1 S.W.	9 Zond bew.	12 $\nabla\nabla$ Bew. op tol	4 Classement	7 Wijzigingen	Det.
2 <i>V.R.</i>	10 \curvearrowright Bijwerken	13 $\nabla\nabla\nabla$ Slijpen	5 Vervangt	A	
3	11 ∇ Bew. \pm 0.5	14	6 Verv door	B	





15 HANSEN PATENT Type DM931T - AN

MGH Machinery and Gears Hansen
 naamloze vennootschap
 société anonyme
 EDGEM - ANTWERP (BELGIUM)

97.931DME.AN.1

1/10 - 1/5
 Dat: 23.1.73



Hansen Transmissions International (H.T.I.) S.A. N.V.

formerly **Machinery and Gears Hansen** (M.G.H.)

A member of the « Thomas Tilling Ltd. » group (London)

Boerenlegerstraat, 151 - B 2520 EDEGEM (ANTWERP) BELGIUM

Tel. Antwerp (03) 57.35.90 (8 L.) - Telegrams Mécanique-Edegem - Telex 31 534

Bankers : Banque de Commerce - Antwerp, Account n° 610-0128050-04



Spare Parts for "Hansen Patent" standardized Speed Reducer

Type DM931T as per drawing 96.DM931-AN-1

Your Order No. 08144/822/FP of 28/11/72 Our Mfg. No. 10.28021/3

Description	Pos. No	Part No.	Price per piece
1° BEARINGS			
for the high speed shaft _____	6008 _____	22.319C	
	6007 _____	22.319C	
for the intermediate shaft 2503 _____	6006 _____	22.322C	
	6005 _____	22.322C	
for the intermediate shaft 2502 _____	6004 _____	23.132C	
	6003 _____	24.132C	
for the low speed shaft 2501 _____	6002 _____	23.044C	
	6001 _____	23.044C	
2 SHAFTS			
High speed shaft _____	2504 _____	2504.9DM-95	
Intermediate shaft _____	2503 _____	2503.9DM-50	
Intermediate shaft _____	2502 _____	2502.9DM-1	
Low speed shaft _____	2501 _____	2501.9DM-90	
3 GEARS			
Set 3 Pinion _____	6006 _____	36.8.022D-61	
Gear wheel _____	6005 _____	36.8.076G-10	
Set 2 Pinion _____	3604 _____	36.11.017G-61	
Gear wheel _____	3603 _____	36.11.071D-60T	
Set 1 Pinion _____	3602 _____	36.14.022D-10	
Gear wheel _____	3601 _____	36.14.065G-10T	
4 OIL SEALS			
for the high speed shaft _____	6504 _____	Ø109,54/131,92x12,7	
for the intermediate shaft _____			
for the low speed shaft _____	6501 _____	Ø247,65/282,58x19,07	

Remarks : Flexible Penco coupling type S 240 at low speed shaft.