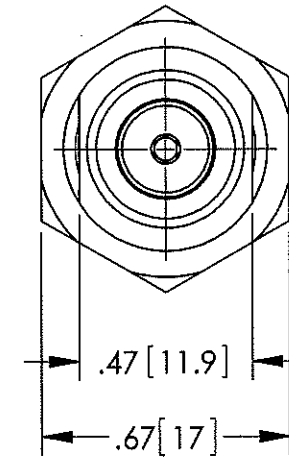
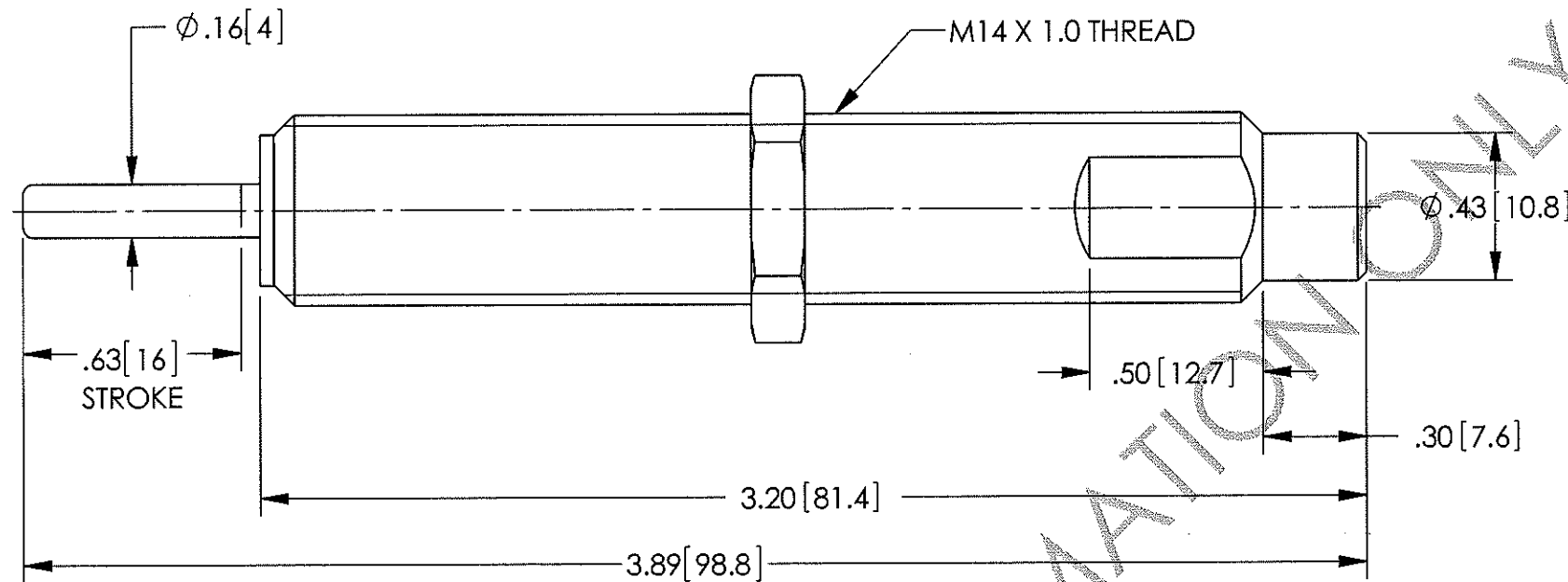


REVISIONS			
REV	DESCRIPTION	DATE	APPROVED
A	ADDED JAN MUT SEE ECO OP_15713	10/26/2017	KOSCIELNIAK



9. POSITIVE STOP MUST BE USED WITH UNIT.
8. MATERIALS AND FINISHES
EXTERNAL SURFACES: ANODIZED ALUMINUM
PISTON ROD: CHROME PLATED STEEL
7. NOMINAL COIL SPRING FORCES
EXTENDED: 1.0 LBS (4.45 N)
COMPRESSED: 2.5 LBS (11.1 N)
6. MAXIMUM PROPELLING FORCE: 120 LBS (534 N).
5. MAXIMUM SHOCK FORCE: 625 LBS (2,800 N).
4. MAXIMUM ENERGY CAPACITY PER HOUR: 300,000 IN-LBS (34,000 Nm).
3. MAXIMUM ENERGY CAPACITY PER CYCLE: 235 IN-LBS (26 Nm).
2. OPERATIONAL TEMPERATURE RANGE: 15°F TO 180° F (-10°C TO 80°C).
1. ALL DIMENSIONS ARE NOMINAL AND IN INCHES[mm].

NOTES: UNLESS OTHERWISE SPECIFIED.

FOR INFORMATION ONLY

CAD GENERATED DRAWING.
DO NOT MANUALLY UPDATE

PART NUMBER: SP21693C

DO NOT SCALE PRINT UNLESS OTHERWISE SPECIFIED DIMENSIONS ARE IN INCHES REMOVE ALL BURRS INTERPRET DIM AND TOL PER ASME Y14.5 - 2009 LIMITS ON FINISHED DIMENSIONS: TOL ON ANGLE ±			ITT Enidine ITT ENIDINE INC. 7 CENTRE DRIVE ORCHARD PARK, NEW YORK 14127 PHONE: (716) 662-1900			
NOTICE: THE INFORMATION CONTAINED IN THIS DRAWING IS PROPRIETARY TO ENIDINE AND SHALL NOT BE DISCLOSED IN WHOLE OR IN PART, OR USED FOR ANY DESIGN OR MANUFACTURE, EXCEPT WHEN SUCH USER POSSESSES DIRECT WRITTEN AUTHORIZATION FROM ENIDINE			THIRD ANGLE PROJECTION 			
APPROVED	J. Schunk	10/31/2017	ENVELOPE DRAWING SPECIAL ECO 25			
CHECKED	C. Buono	11/12/2015				
DRAWN	A. Henning	10/08/2012				
MATERIAL			SIZE	CAGE CODE	DWG NO	REV
			B	24403	SP-21693C	A
			SCALE: 2:1	WEIGHT:	SHEET 1 OF 1	

CAD FILE: SP-21693C.SLDRW