

FEATURES

- The diaphragm pulse valves are especially designed for dust collector service applications, combining high flow, long life and extremely fast opening and closing to produce reliable and economical operation
- The high flow, angle type bodies in combination with the special main diaphragm assemblies give the unique operating features required for dust collector service applications
- Integral compression fittings for fast, easy, secure installation
- Valves can be supplied according to ATEX Directive 94/9/EC for non-electrical equipment by using suffix GD
- The valves satisfy all relevant EC directives

GENERAL

Differential pressure (PS) 0,35 - 8,5 bar [1 bar = 100kPa]
Ambient temperature range -20 to +85°C

fluids (*)	temperature range (TS)	diaphragm (*)
air	-40 to +85 °C	TPE (3/4 und 1)
	-20 to +85 °C	CR (1 1/2)

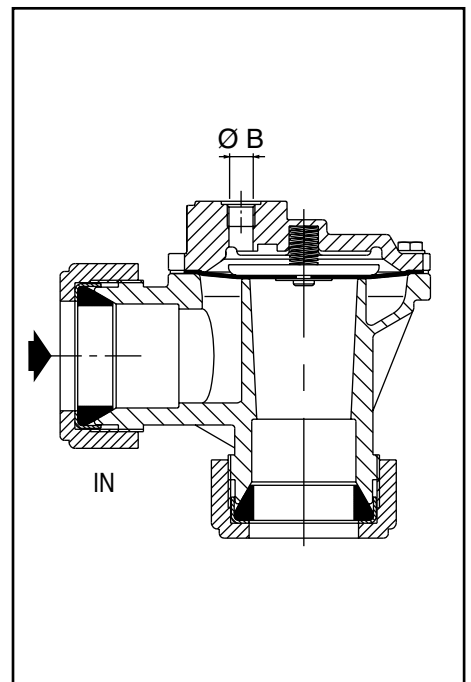
MATERIALS IN CONTACT WITH FLUID

(*) Ensure that the compatibility of the fluids in contact with the materials is verified

Body Aluminium / Stainless steel 316L
Spring Stainless steel
Diaphragm TPE (thermoplastic polyester elastomer oder CR (chloroprene)

PILOT SOLENOID VALVES (2/2 NC function)

main pulse valve catalogue number	remote pilot connection	recommended executions		
		orifice size (mm)	manifold pilot valves in a box (IP 65)	single pilot valves (IP20)
G353A041	G 1/8	3,6	pilot box series 110 2 to 12 pilots 1/8	series 257
G353-055				
G353A042				
G353-056				
G353A045	G 1/4	5,6	pilot box series C20 4 to 6 valves 1/4	series 262 / 272
G353-066				



SPECIFICATIONS

pipe size	remote pilot connection	orifice size	flow coefficient Kv		operating pressure differential (bar)		catalogue number		FPM
					min.	max. (PS) air (*)			
G	Ø B	(mm)	(m³/h)	(l/min)	~/=		aluminium	stainless steel 316L	
G - threaded pipe connection									
3/4	G 1/8	24	14	233	0,35	8,5	G353A041	G353A130	V
1	G 1/8	27	17	283	0,35	8,5	G353A042	G353A131	V
1 1/2	G 1/8	52	46	768	0,35	8,5	G353A045	-	V
Ø - Compression fitting pipe connection									
3/4	G 1/8	24	14	233	0,35	8,5	G353-055	-	V
1	G 1/8	27	17	283	0,35	8,5	G353-056	-	V
1 1/2	G 1/8	52	43	717	0,35	8,5	G353-066	-	V

OPTIONS

- Valves can also be supplied with FPM (fluoroelastomer) diaphragms and seals. Use the appropriate optional suffix letter for identification
- Sequential controller for pilot solenoid valves
- Pilot boxes containing 2 to 12 pilot solenoid valves
- Pilot solenoid valves can be equipped with explosionproof solenoids for hazardous locations according to "ATEX" and national standards

INSTALLATION

- The valves can be mounted in any position without affecting operation
- Threaded pipe connection is G (ISO 228/1) or compression fitting
- When connecting piping or tubing to the G1/8 connection in the valve bonnet, the remote ASCO pilot valve should be mounted as close as possible to the main pulse valve. Connection tubing lengths of 3 meter or less have little effect on the pulse response. Installations with over 3 meter of tubing must be tested under actual operating conditions. Tubing with Ø 6 mm O.D. is recommended for all installations
- For compression fitting types tightness is achieved by the compressed gasket on the blow tube
- Other pipe threads are available on request
- Installation/maintenance instructions are included with each valve
- Spare parts kits and replacement coils are available

DIMENSIONS (mm), WEIGHT (kg)

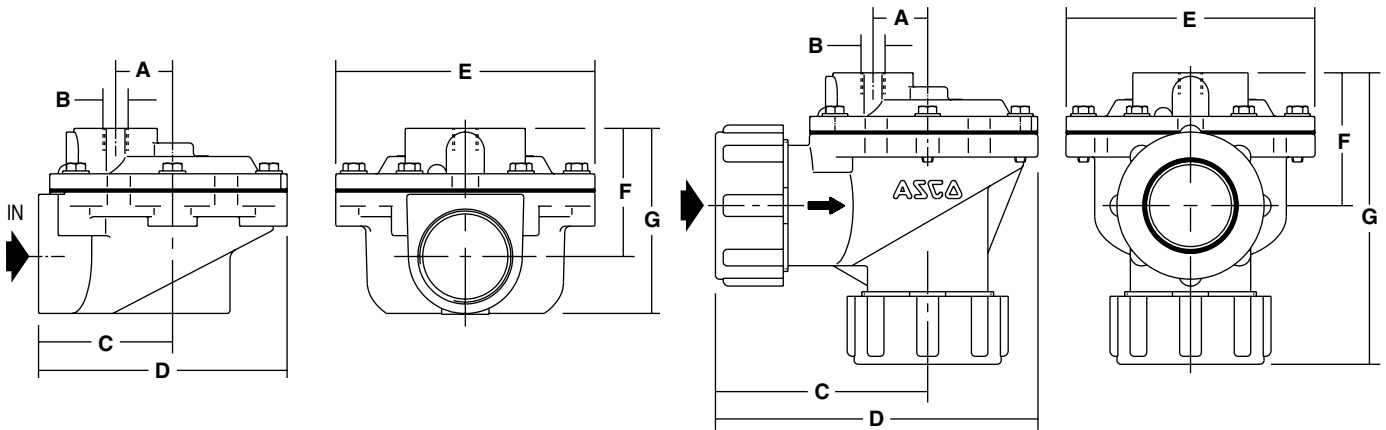


Fig. 1: Threaded pipe connection - aluminium

Fig. 2: Compression type fitting - aluminium

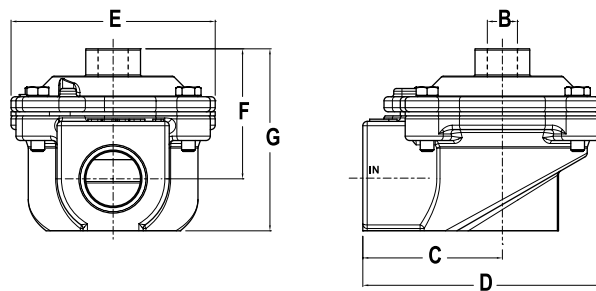


Fig. 3: Threaded pipe connection - Stainless steel

catalogue number	A	B	C	D	E	F	G	weight (1)	(C)
G353A041	-	G 1/8	51	89	75	41	65	0,45	Fig. 1
G353A042	-	G 1/8	51	89	75	41	64	0,4	Fig. 1
G353A045	30	G 1/4	71	130	136	71	98	1	Fig. 1
G353-055	-	G 1/8	88	125	75	47	109	0,58	Fig. 2
G353-056	-	G 1/8	88	124	75	47	129	0,61	Fig. 2
G353-066	30	G 1/4	117	177	136	73	161	1,33	Fig. 2
G353A130	-	G 1/8	51	89	75	41	64	0,92	Fig. 3
G353A131	-	G 1/8	51	89	75	41	64	0,87	Fig. 3

(C) Construction type