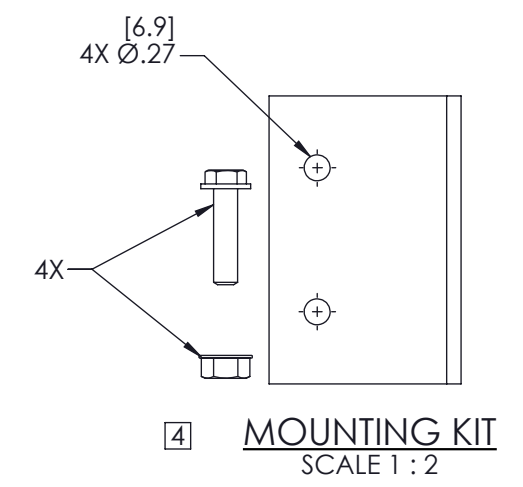
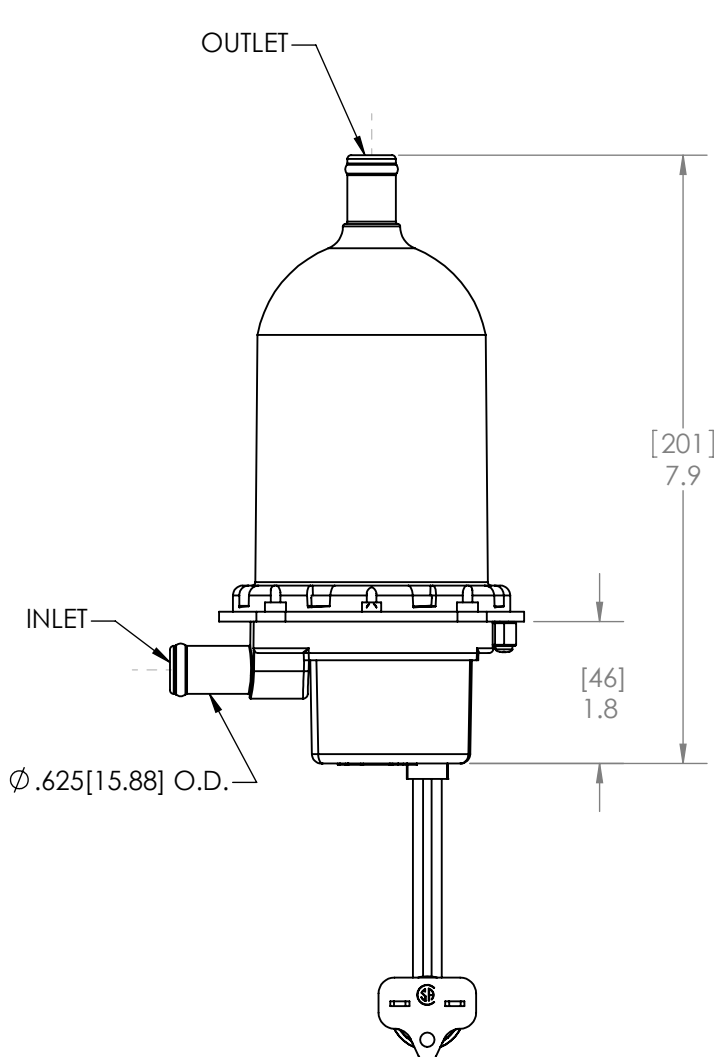
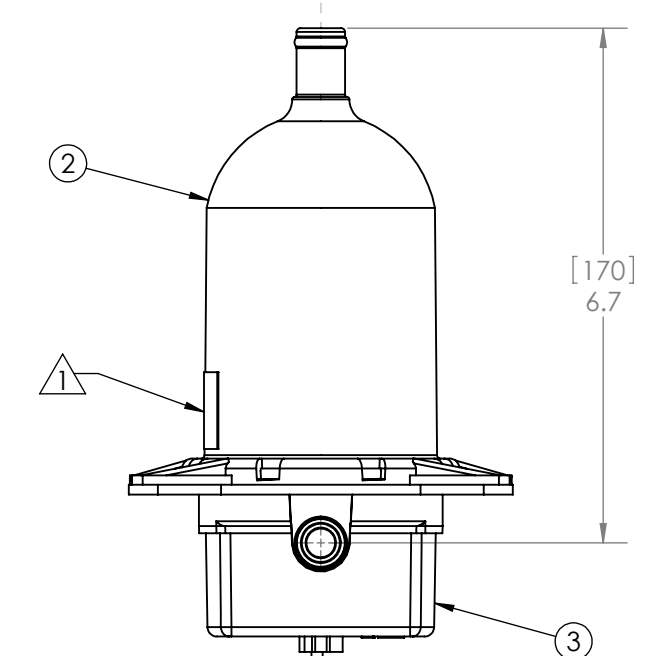
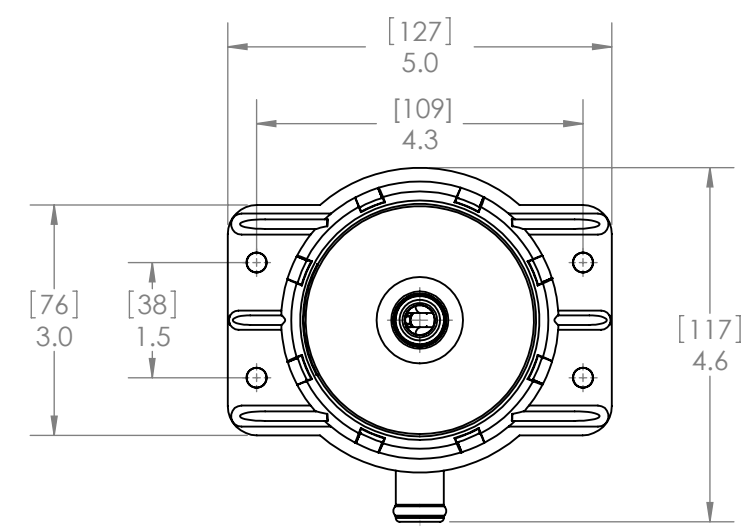


REVISIONS						
REV.	ECO	DATE	DESCRIPTION	AUTH.	DR.	ZONE
2	6601	2/5/2009	UPDATED DRAWING AND IFS PART DESCRIPTIONS	JH	KR	A7
3	---	7/11/2014	UPDATE DRW, CAPS, LOGO AND ADD mm DIM'S	CDH	DR	
4	9408	06-14-18	ADDED VIEW SHOWING MOUNTING KIT, ADDED NOTE 4., DELETED REPLACEMENT PARTS TABLE, DELETED NOTE $\triangle$	CDH	KP	A8, C2



16-3HPN X 48[1219] LG.


2X HOSEBARB  $\phi$ .625[15.88] O.D.

240V 15A  
NEMA 6-15P

**NOTES:**

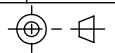
- 1. LABELED WITH P/N, WATTS, VOLTS, DATE CODE & U.L. MARKINGS.
- 2. ALL DIMENSIONS ARE FOR REFERENCE ONLY.
- 3. -DELETED-.
- 4. MOUNTING KIT SHIPPED LOOSE IN PLASTIC BAG.

PART NUMBER	DESCRIPTION	
TPS052GT8-000	TPS 500W 240V 80-100F 48IN CORD	2
TPS052GT10-000	TPS 500W 240V 100-120F 48IN CORD	2
TPS052GT12-000	TPS 500W 240V 120-140F 48IN CORD	2



**HOTSTART, INC.** SPOKANE, WA.  
PROPRIETARY INFORMATION

This drawing and the information shown on it are property of Hotstart, Inc. and are for the sole purpose of doing business with us. Any copying or transmittal to others of this information is strictly prohibited without prior written consent from Hotstart.

TITLE		TPS 500W 240V T-STAT 48IN CORD		DWG. NO.		A-3623-39S	
APPROVALS	DATE	UNLESS OTHERWISE SPECIFIED DIMENSIONS ARE IN INCHES [mm]		SIZE	ORIGIN		
DRAWN BY ER	12-30-02			B	CP0327		
APPROVED BY JG	12-30-02	TOLERANCES (Except as noted)		SCALE	1:2.5		
THIRD ANGLE PROJECTION 		.XX ± N/A	ANGULAR ± N/A°	SHEET	1 OF 1		
		DO NOT SCALE DRAWING		REV.	04		