

4656 N

AC axial compact fan



ebm-papst St. Georgen GmbH & Co. KG

Hermann-Papst-Straße 1

74673 St. Georgen

Phone: +49 7724 81-0

Fax: +49 7724 81-1309

www.ebmpapst.com

info2@de.ebmpapst.com

Nominal data

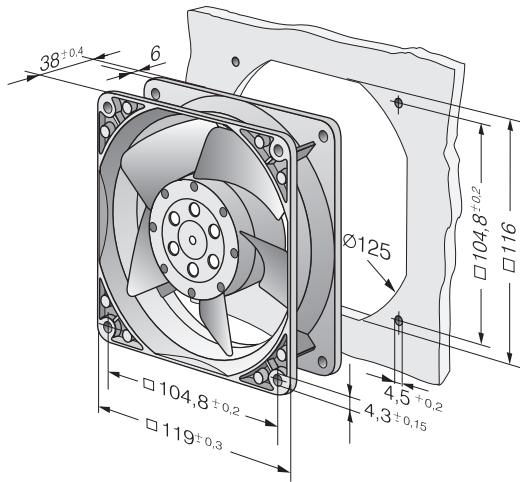
Type	4656 N	
Nominal voltage	[VAC]	230
Frequency	[Hz]	50
Speed	[min ⁻¹]	2650
Power input	[W]	19.0
Min. ambient temperature	[°C]	-40
Max. ambient temperature	[°C]	85
Air flow	[m ³ /h]	160
Sound power level	[B]	5.5
Sound pressure level	[dB(A)]	47

ml = max. load · me = max. efficiency · rfa = running at free air · cs = customer specs · cu = customer unit
Subject to alterations

Technical features

Dimensions	119 x 119 x 38 mm
General description	AC fan with external rotor shaded-pole motor.
Connection line	2 flat plugs 3.0 x 0.5 mm. Housing with grounding lugs for screw M4 and UNC.
Direction of protection	Right, looking at rotor
Direction of air flow	Inlet over bars
Bearing	Ball bearings
Lifetime L10 at 40 °C	37500 h
Lifetime L10 at maximum temperature	15000 h
Mass	0.550 kg
Material of impeller	Metal
Motor protection	Protected from overload using impedance protection
Option	Variants optionally available with reinforced mounting flanges and customizable single-strand wiring.
Approval	VDE, CSA, UL, CE

Product drawing



Charts: Air flow

