

ASCOTM EXPRESSTM





Fast, Reliable Deliveries

ASCO Express guarantees short-term deliveries on an extensive range of our most popular products. Products can be dispatched from our European manufacturing plant on the same day your order is received. So you get your products faster, reducing downtime and increasing productivity.

A service that's built around your business

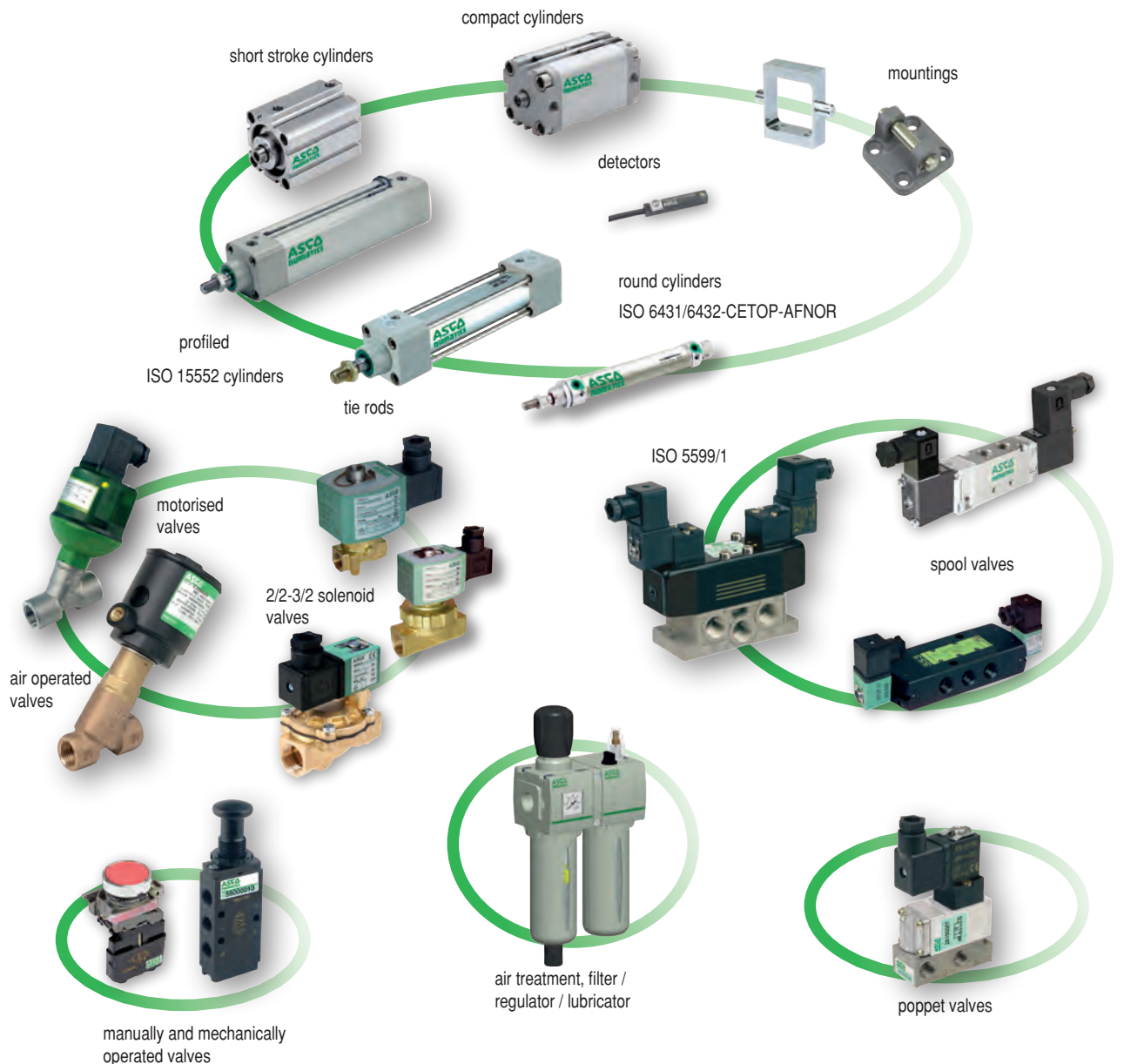
ASCO Express offers a comprehensive range of product options, designed to meet 90% of all potential application requirements. It's all part of our dedication to providing you with the highest possible levels of service, quality and performance to create long-standing customer relationships. Faster shipment lets you cut lead times and provide more accurate timing estimates when scoping out projects.

What does it mean for you?

Express delivery offers you a choice of two service levels:

SAMEDAY

*Aims to dispatch on the same day your order is received.**



* Actual shipment time is dependent on product line and quantity ordered. Orders for the 5 day service are subject to a limit of 25 pieces of any product. Reasonable time must be added for transportation (up to 5 days). For expected delivery dates of your required products, please contact your local sales office or distributor.

5 DAY

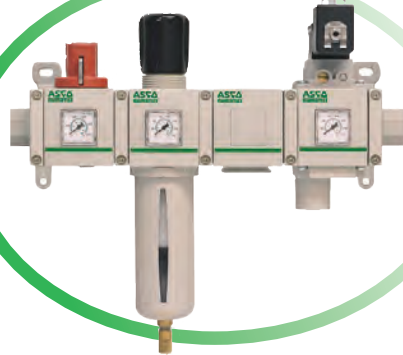
Aims to dispatch in five days.*



2/2, 3/2 solenoid and air operated valves stainless steel body



Cylinders equipped with rod-locking device and guiding unit



FRL assembly



valve manifold assemblies

spool valves



ISO 15407-1



ISO 15407-2



Sentronic^{LP}



Sentronic^D

proportional valves



Sentronic^{PLUS}



Visit our website www.asco.com to get the product adapted to your application and lead time information. Scan the QR code

Or visit <http://www.asco.com/en-gb/Pages/products-solutions.aspx>



If you need additional information please contact our customer service. Scan the QR code

Or visit <http://www.asco.com/en-gb/DistributorLocatorEurope.aspx>

* Actual shipment time is dependent on product line and quantity ordered. Orders for the 5 day service are subject to a limit of 25 pieces of any product. Reasonable time must be added for transportation (up to 5 days). For expected delivery dates of your required products, please contact your local sales office or distributor.

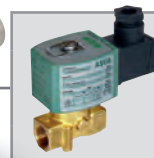
FLUID CONTROL MOTION CONTROL

Motorised/Pressure operated valves



4

Solenoid valves 2/2 - 3/2



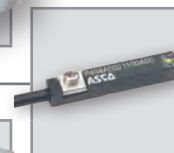
12

Cylinders



33

Magnetic position detectors



56

Spool valves, poppet valves



57

Solenoid pilot valves



60

Pneumatic valve islands



74

Proportional pneumatic control



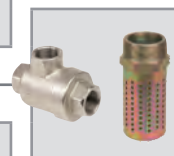
92

Air preparation



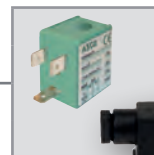
100

Pneumatic accessories



114

Connectors, coils



118

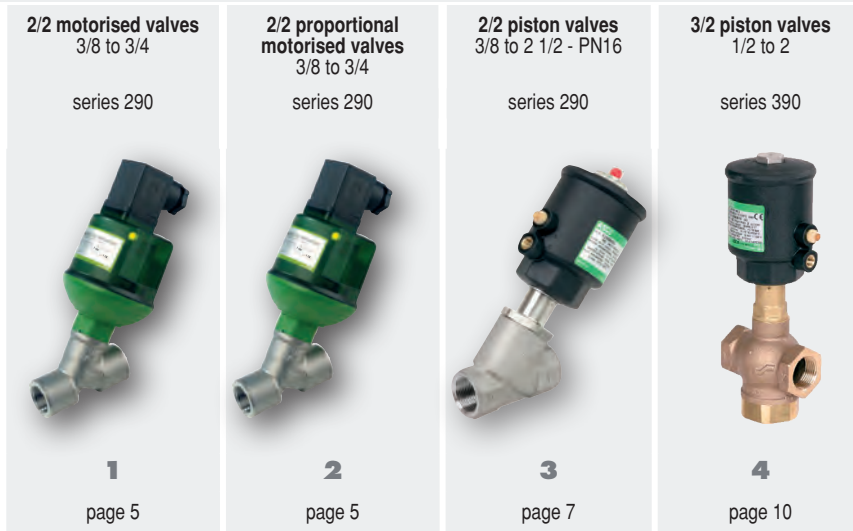
How to order

122

Index code/page

124

MOTORISED AND PRESSURE OPERATED VALVES



YOUR SELECTION

pipe size								fluids			max. operating pressure differential bar	material		visual	series	page	
G								air, inert gas, aggressive fluids	water, oil, aggressive liquids	steam		bronze	stainless steel				
3/8	1/2	3/4	1	1 1/4	1 1/2	2	2 1/2										
2/2 - entry under the disc - motorised valve																	
●	●	●						●	●	90°C & 145°C	4 to 6	●		1	290	5	
2/2 - entry under the disc - proportional motorised valve																	
●	●	●						●	●	90°C & 145°C	4 to 6	●		2	290	5	
2/2 NC - entry under the disc																	
●								●	●	≤ 184°C	16	●		3	290	7	
	●							●	●	≤ 184°C	16	●	●				
		●						●	●	≤ 184°C	16	●	●				
			●					●	●	≤ 184°C	10	●	●				
				●				●	●	≤ 184°C	12	●	●				
					●			●	●	≤ 184°C	8	●	●				
						●		●	●	≤ 184°C	10	●	●				
							●	●	●	≤ 184°C	6	●	●				
2/2 NC - entry above the disc (version recommended for steam applications with high cycling rates)																	
●								●	-	≤ 184°C	10	●		3	290	8	
	●	●	●					●	-	≤ 184°C		●	●				
				●	●			●	-	≤ 184°C		●	●				
						●	●	●	-	≤ 184°C		●	●				
2/2 NO - entry under the disc																	
●								●	●	≤ 184°C	16	●		3	290	8	
	●	●	●	●	●			●	●	≤ 184°C		●	●				
						●		●	●	≤ 184°C		7	●				●
							●	●	●	≤ 184°C		16	●				●
3/2 NC - entry under the disc																	
	●	●	●	●	●			●	●	≤ 184°C	16	●		4	390	10	
3/2 NO - entry under the disc																	
	●	●	●		●	●		●	●	≤ 184°C	16	●		4	390	10	

2/2 MOTORISED VALVES 2/2 PROPORTIONAL MOTORISED VALVES

290 series
stainless steel body 3/8 to 3/4



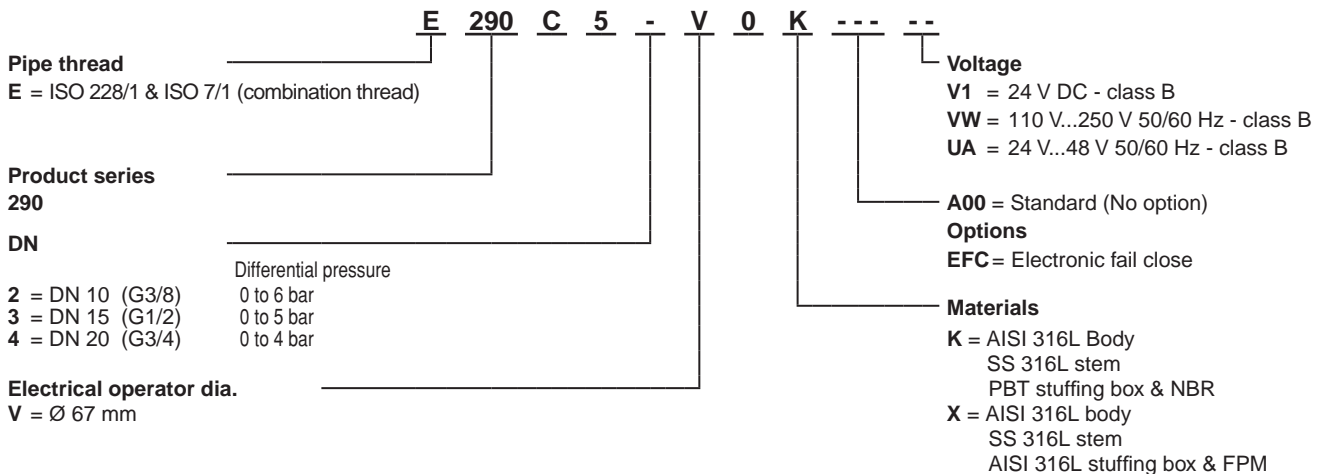
	NBR / PBT	FPM / 316L
Fluids	air and gas groups 1 & 2, water, oil, liquids groups 1 & 2	steam
Differential pressure	refer to selection table	
Fluid temperature (TS)	-10°C to +90°C	up to +145°C
Ambient temperature (TS)	-10°C to +50°C	-10°C to +40°C
Body	AISI 316L	AISI 316L
Stuffing box housing	PBT, GF reinforced	AISI 316L
Stem valve	AISI 316L	AISI 316L
Stuffing box packing	NBR	FPM
Wiper Seal	NBR	FPM
Disc seal	NBR	FPM
Standard voltages	DC (=) 24 - 48V	
	AC (~) 24 - 48 - 115 - 230V / 50Hz	

- High flow capability
- Anti-water hammer design
- LED indicators for valve status display
- Fail close position option
- Ready-to-use valve
- < 2W holding phase / Set point position
- Valve tight at closing position (FCI 70-2 class V)
- Proportional motorised valve available
- Electrical enclosure protection IP65

YOUR SELECTION

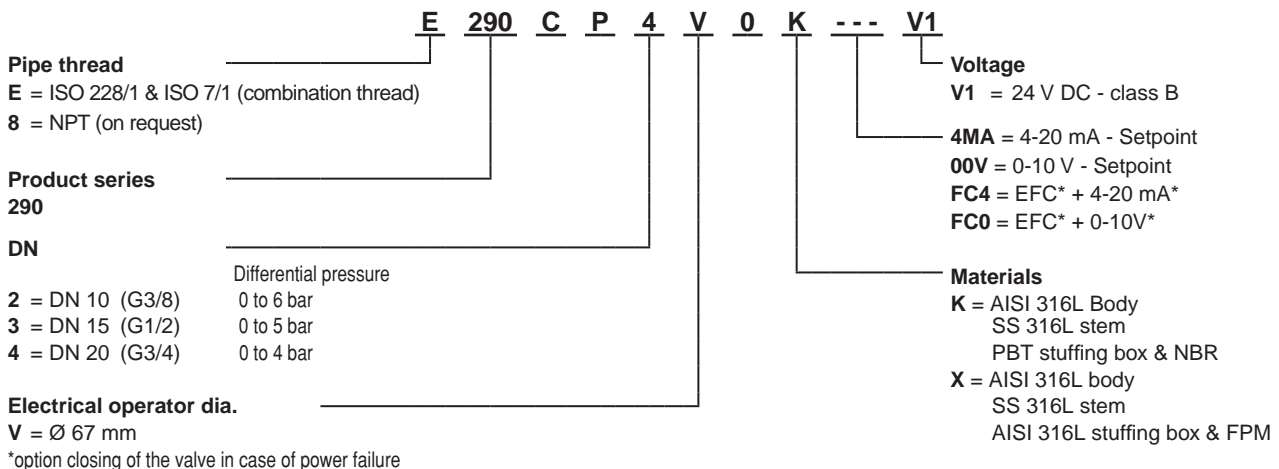
Motorised

15-DIGIT PRODUCT CODE



Proportional Motorised

15-DIGIT PRODUCT CODE



OPTIONS AND ACCESSORIES

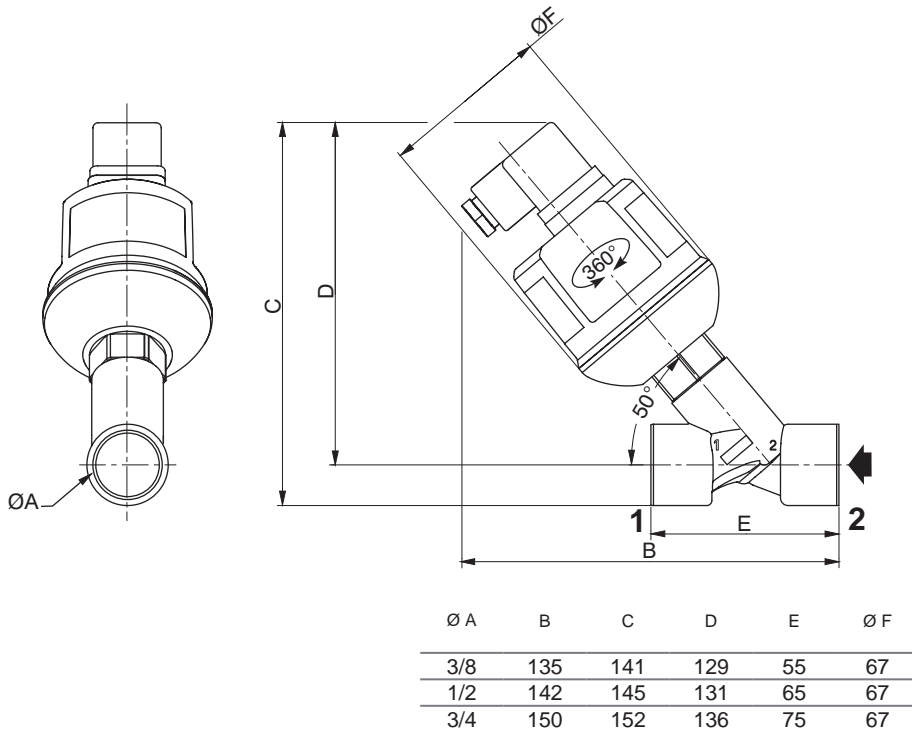
AC to DC adapter	
110V to 250V/50-60 Hz:	P290CA430078001
24V to 48V ±10 % /50-60 Hz:	P290CA438907001



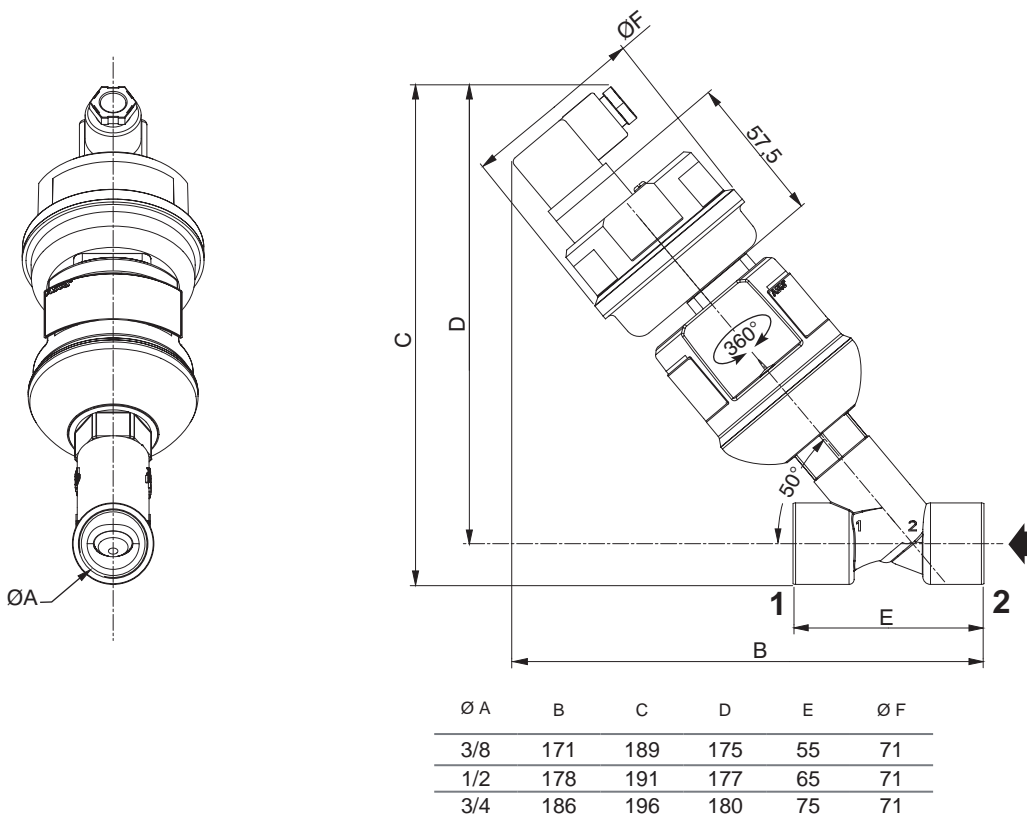
2/2 MOTORISED VALVES

DIMENSIONS

DC version



AC version



2/2 VALVES
PRESSURE OPERATED
290 series
 piston-type
 on/off
 bronze body 1/2 to 2 1/2
 stainless steel body 3/8 to 2 1/2



Fluids	air, inert gas, water, oil (<600cSt) superheated water, steam, aggressive fluids
Differential pressure	refer to selection table
Pilot pressure	refer to selection table
Allowable vacuum	10 ⁻² mbar
Fluid temperature	-10°C to +184°C
Ambient temperature	-10°C to +60°C
Body	stainless steel, AISI 316L (operator Ø32) bronze or stainless steel 316L (other operators)
Disc / stuffing box seal	PTFE

- Long service life, maintenance free actuators
- High flow capability
- Anti water hammer design
- High cycling
- Back pressure resistant
- Large range of certification
- Extensive range of options & accessories
- Proportional option available
- Available for food contact applications
- Various valve body connections
- Respect the environment / ROHS material



YOUR SELECTION

pipe size	orifice size	flow coefficient Kv	pilot pressure bar		min.	max. operating pressure differential bar			operator dia. mm	code		pilot series
			min.	max.		air, inert gas, aggressive fluids	water, oil, liquids, aggressive liquids	steam ≤ 184°C		bronze	stainless steel	
2/2 NC - entry under the disc - Food and Beverage Certified: (EC) 1935-2004 (EC) 2023/2006 (EC) 10/201 FDA CFR21 ROHS2												
3/8	10	2,8	4	10	0	16	16	10	32	-	E290A791FB	
1/2	15	4,1	4	10	0	12	12	10	32	-	E290A792FB	
		4,9	2,5	10	0	16	16	10	63	-	E290B045FB	
3/4	20	6,5	4	10	0	6	6	6	32	-	E290A793FB	189/356
		9,4	4	10	0	10	10	10	50	-	E290A394FB	
1	25	12,8	4	10	0	6	6	6	50	-	E290A395FB	
		16,5	4	10	0	10	10	10	63	-	E290B053FB	
1 1/4	32	27	4	10	0	6	6	6	63	-	E290A059FB	
1 1/2	40	45	4	10	0	8	8	8	90	-	E290A064FB	314/356
2/2 NC - entry under the disc												
3/8	10	2,8	4	10	0	16	16	10	32	-	E290A791	
			4,1	4	10	0	12	12	10	32	-	E290A792
1/2	15	4,9	4	10	0	16	16	10	50	E290A384	E290A393	
			2,5	10	0	16	16	10	63	E290B002	E290B045	
3/4	20	6,5	4	10	0	6	6	6	32	-	E290A793	
			4	10	0	10	10	10	50	E290A385	E290A394	189/356
1	25	12,8	4	10	0	6	6	6	50	E290A386	E290A395	
			4	10	0	10	10	10	63	E290B010	E290B053	
1 1/4	32	27	2,5	10	0	6	6	6	63	E290B008	-	
			2,5	10	0	12	12	10	90	E290B009	E290B052	314/356
1 1/2	40	45	4	10	0	16	16	10	90	E290B011	E290B054	
			4	10	0	6	6	6	63	E290A016	E290A059	189/356
2	50	59	2,5	10	0	7	7	7	90	E290A015	-	314/356
			4	10	0	4	4	4	63	E290A020	E290A063	189/356
2 1/2	65	111	4	10	0	8	8	8	90	E290A021	E290A064	
			2,5	10	0	4	4	4	90	E290A019	-	314/356
1 1/2	40	48	4	10	0	16	16	10	125	E290A482	-	
			4	10	0	2,5	2,5	2,5	63	E290A024	E290A067	189/356
1	25	16,5	4	10	0	6	6	6	90	E290A025	E290A068	
			66	4	10	0	10	10	10	125	E290A485	E290A498
3/4	20	9,4	4	10	0	10	10	10	50	E290A385	E290A394	189/356
			4	10	0	16	16	10	63	E290B005	E290B048	
1/2	15	4,9	2,5	10	0	12	12	10	63	E290B004	E290B047	
			4	10	0	4	4	4	63	E290A020	E290A063	189/356
1 1/4	32	27	4	10	0	12	12	10	90	E290A017	E290A060	314/356
			4	10	0	7	7	7	90	E290A015	-	314/356
1 1/2	40	45	4	10	0	4	4	4	63	E290A020	E290A063	189/356
			4	10	0	8	8	8	90	E290A021	E290A064	
2	50	59	4	10	0	4	4	4	90	E290A019	-	314/356
			4	10	0	16	16	10	125	E290A482	-	
3/4	20	9,4	4	10	0	2,5	2,5	2,5	63	E290A024	E290A067	189/356
			4	10	0	6	6	6	90	E290A025	E290A068	
1	25	16,5	4	10	0	10	10	10	63	E290B010	E290B053	
			66	4	10	0	10	10	10	125	E290A485	E290A498
1 1/4	32	27	2,5	10	0	7	7	7	90	E290A015	-	314/356
			4	10	0	4	4	4	63	E290A020	E290A063	189/356
1 1/2	40	45	4	10	0	8	8	8	90	E290A021	E290A064	
			4	10	0	4	4	4	90	E290A019	-	314/356
2	50	59	4	10	0	16	16	10	125	E290A482	-	
			4	10	0	2,5	2,5	2,5	63	E290A024	E290A067	189/356
3/4	20	9,4	4	10	0	6	6	6	90	E290A025	E290A068	
			66	4	10	0	10	10	10	125	E290A485	E290A498
1	25	16,5	4	10	0	10	10	10	63	E290B010	E290B053	
			66	4	10	0	10	10	10	125	E290A485	E290A498
1 1/4	32	27	2,5	10	0	7	7	7	90	E290A015	-	314/356
			4	10	0	4	4	4	63	E290A020	E290A063	189/356
1 1/2	40	45	4	10	0	8	8	8	90	E290A021	E290A064	
			4	10	0	4	4	4	90	E290A019	-	314/356
2	50	59	4	10	0	16	16	10	125	E290A482	-	
			4	10	0	2,5	2,5	2,5	63	E290A024	E290A067	189/356
3/4	20	9,4	4	10	0	6	6	6	90	E290A025	E290A068	
			66	4	10	0	10	10	10	125	E290A485	E290A498
1	25	16,5	4	10	0	10	10	10	63	E290B010	E290B053	
			66	4	10	0	10	10	10	125	E290A485	E290A498
1 1/4	32	27	2,5	10	0	7	7	7	90	E290A015	-	314/356
			4	10	0	4	4	4	63	E290A020	E290A063	189/356
1 1/2	40	45	4	10	0	8	8	8	90	E290A021	E290A064	
			4	10	0	4	4	4	90	E290A019	-	314/356
2	50	59	4	10	0	16	16	10	125	E290A482	-	
			4	10	0	2,5	2,5	2,5	63	E290A024	E290A067	189/356
3/4	20	9,4	4	10	0	6	6	6	90	E290A025	E290A068	
			66	4	10	0	10	10	10	125	E290A485	E290A498
1	25	16,5	4	10	0	10	10	10	63	E290B010	E290B053	
			66	4	10	0	10	10	10	125	E290A485	E290A498
1 1/4	32	27	2,5	10	0	7	7	7	90	E290A015	-	314/356
			4	10	0	4	4	4	63	E290A020	E290A063	189/356
1 1/2	40	45	4	10	0	8	8	8	90	E290A021	E290A064	
			4	10	0	4	4	4	90	E290A019	-	314/356
2	50	59	4	10	0	16	16	10	125	E290A482	-	
			4	10	0	2,5	2,5	2,5	63	E290A024	E290A067	189/356
3/4	20	9,4	4	10	0	6	6	6	90	E290A025	E290A068	
			66	4	10	0	10	10	10	125	E290A485	E290A498
1	25	16,5	4	10	0	10	10	10	63	E290B010	E290B053	
			66	4	10	0	10	10	10	125	E290A485	E290A498
1 1/4	32	27	2,5	10	0	7	7	7	90	E290A015	-	314/356
			4	10	0	4	4	4	63	E290A020	E290A063	189/356
1 1/2	40	45	4	10	0	8	8	8	90	E290A021	E290A064	
			4	10	0	4	4	4	90	E290A019	-	314/356
2	50	59	4	10	0	16	16	10	125	E290A482	-	
			4	10	0	2,5	2,5	2,5	63	E290A024	E290A067	189/356
3/4	20	9,4	4	10	0	6	6	6	90	E290A025	E290A068	
			66	4	10	0	10	10	10	125	E290A485	E290A498
1	25	16,5	4	10	0	10	10	10	63	E290B010	E290B053	
			66	4	10	0	10	10	10	125	E290A485	E290A498
1 1/4	32	27	2,5	10	0	7	7	7	90	E290A015	-	314/356
			4	10	0	4	4	4	63	E290A020	E290A063	189/356
1 1/2	40	45	4	10	0	8	8	8	90	E290A021	E290A064	
			4	10	0	4	4	4	90	E290A019	-	314/356
2	50	59	4	10	0	16	16	10	125	E290A482	-	
			4	10	0	2,5	2,5	2,5	63	E290A024	E290A067	189/356
3/4	20	9,4	4	10	0	6	6	6	90	E290A025	E290A068	
			66	4	10	0	10	10				

2/2 PRESSURE OPERATED VALVES

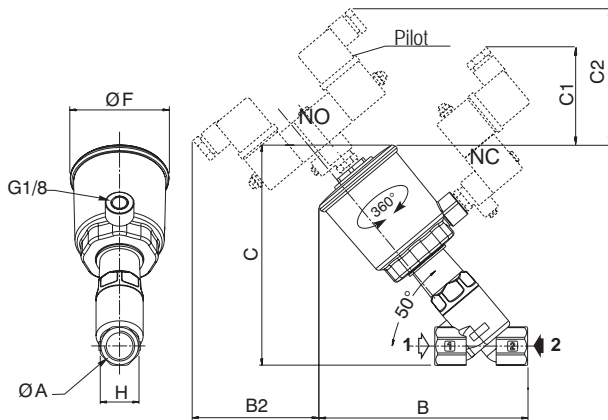
YOUR SELECTION

pipe size	orifice size	flow coefficient Kv m ³ /h	pilot pressure		min.	max. operating pressure differential bar			operator dia. mm	code		pilot series
			min.	max.		air, inert gas, aggressive fluids	water, oil, liquids, aggressive liquids	steam ≤ 184°C		bronze	stainless steel	
2/2 NC - entry above the disc (version recommended for steam applications with high cycling rates)												
3/8	10	2,8	4,5	10	0	10	-	10	32	-	E290A797	
		4,1	4,5	10	0	10	-	10	32	-	E290A798	
1/2	15	4,9	3	10	0	10	-	10	50	E290A390	E290A399	189/356
			6	10	0	10	-	10	63	E290B036	E290B079	
3/4	20	9,4	3	10	0	10	-	10	50	E290A391	E290A400	
			6,5	4,5	10	0	10	-	10	32	-	
1	25	12,8	3	10	0	10	-	10	50	E290A392	E290A401	
			16,5	2,5	10	0	10	-	10	63	E290B038	
1 1/4	32	27	3	10	0	10	-	10	63	E290A039	E290A082	189/356
1 1/2	40	45	2,5	10	0	10	-	10	63	E290A040	E290A083	
			3	10	0	10	-	10	90	E290A043	E290A086	
2	50	59	3	10	0	9	-	9	63	E290A042	E290A085	189/356
			3	10	0	10	-	10	90	-	E290A086	
2 1/2	65	94	3	10	0	10	-	10	90	E290A623	E290A625	314/356
			111	3	10	0	10	0	10	125	E290A624	
2/2 NO - entry under the disc												
3/8	10	2,8	1	10	0	16	16	10	32	-	E290A794	
		4,1	1	10	0	16	16	10	32	-	E290A795	
1/2	15	4,9	3	10	0	16	16	10	50	E290A387	-	
			4,9	3	10	0	16	16	10	50	-	
3/4	20	9,4	3	10	0	16	16	10	63	E290B026	E290B069	189/356
			6,5	2	10	0	16	16	10	32	-	
1	25	16,5	2	10	0	16	16	10	63	E290B027	E290B070	
			12,8	3	10	0	16	16	10	50	E290A388	
1 1/4	32	27	2	10	0	16	16	10	63	E290A389	E290A398	
1 1/2	40	45	2	10	0	11	11	10	63	E290A030	E290A073	
			59	2	10	0	7	7	7	63	E290A032	
2	50	66	2	10	0	16	16	10	125	E290A034	E290A077	
			2	10	0	16	16	10	125	E290A490	E290A503	
2 1/2	65	111	2	10	0	16	16	10	125	E290A492	E290A505	314/356
valves with visual position indicator												
pipe size	orifice size	flow coefficient Kv m ³ /h	pilot pressure		min.	max. operating pressure differential bar			operator dia. mm	code		pilot series
			min.	max.		air, inert gas, aggressive fluids	water, oil, liquids, aggressive liquids	steam ≤ 184°C		bronze	stainless steel	
2/2 NO - entry under the disc												
3/8	10	2,8	4	10	0	16	16	10	32	-	E290A791VI	
1/2	15	4,1	4	10	0	12	12	10	32	-	E290A792VI	189/356
3/4	20	6,5	4	10	0	6	6	6	32	-	E290A793VI	

2/2 PRESSURE OPERATED VALVES

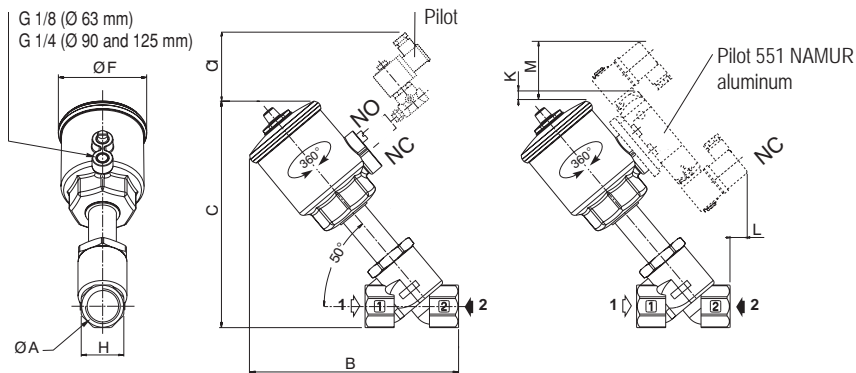
DIMENSIONS

Ø32 - 50



operator dia.	ØA	B	B2	C1 pilot		C2 pilot		C	D	E	ØF	H
				189	356	189	356					
32	3/8	92	83	77	63	100	88	93	81,5	55	43,5	23,5
	1/2	99	83	77	63	100	88	97	83,5	65	43,5	28
	3/4	107	83	77	63	100	88	104,5	88,5	75	43,5	30
50	1/2	142	72	65	54	81	78	154,5	141	65	69	27
	3/4	150,5	72	65	54	81	78	159	143	75	69	32
	1	155	72	65	54	81	78	165	145	90	69	41

Ø63-90-125



operator dia.	ØA	B	C	C1 (NC) pilot		C1 (NO) pilot		E	ØF	H	K	L	M
				189	356	189	356						
63	1/2	170	182	51	39	60	57	65	85	27	7	42	66
	3/4	175	185	51	39	60	57	75	85	32	7	42	66
	1	179	192	51	39	60	57	90	85	41	7	42	66
	1 1/4	217	229	51	39	60	57	110	85	50	7	42	66
	1 1/2	224	245	51	39	60	57	120	85	60	7	42	66
	2	249	259	51	39	60	57	150	85	70	7	42	66
90	1	197	209	71	72	91	91	90	118	41	2	16	59
	1 1/4	236	246	71	72	91	91	110	118	50	2	16	59
	1 1/2	243	262	71	72	91	91	120	118	60	2	6	59
	2	267	276	71	72	91	91	150	118	70	2	-	59
125	1 1/2	299	300	71	72	91	91	190	118	86	2	-	59
	1 1/2	291	313,5	71	72	91	91	120	156	60	-	-	22
	2	315	328	71	72	91	91	150	156	70	-	-	22
2 1/2	347	352	71	72	91	91	190	156	86	-	-	22	

OPTIONS AND ACCESSORIES

operator dia.	description	code	standard voltages (V)									
			AC (~) / 50Hz			DC (-)						
			24	48	115	230	24	48				
3/2 solenoid pilot valve												
32-50-63 mm	pilot 189 (G 1/8 - 3,5VA / 3W) - Ø 4 mm O.D.	18900032	✓	✓	✓	✓	✓					
	pilot 356 (G 1/8 - 6VA / 5,5W)	brass body SCG356B053VMS	✓	✓	✓	✓	✓	✓	✓	✓	✓	✓
90-125 mm	pilot 356 G 1/4	brass body SCG356B467VMS	✓	✓	✓	✓	✓	✓	✓	✓	✓	✓
	pilot 314 Ø2,4 mm (G 1/4 - 23VA / 11,2W)	brass body E314K143S1N01 (1)	FL	FR	FT	F8	F1	F9				

(1) Ordering example: add the 2 digits for the voltage at the end of the 15-digit code: E314K143S1N01F1 (24V DC)

3/2 VALVES
PRESSURE OPERATED
390 series
 piston-type
 on/off
 bronze body 1/2 to 2



Fluids	air, inert gas, water, oil (<600cSt) superheated water, steam, aggressive fluids
Differential pressure	refer to selection table
Pilot pressure	refer to selection table
Allowable vacuum	10 ⁻² mbar
Fluid temperature	-10°C to +184°C
Ambient temperature	-10°C to +60°C
Body	bronze
Disc / stuffing box seal	PTFE

- Long service life
- High flow capability
- Anti water hammer design
- High cycling
- Back pressure resistant
- The actuators are maintenance free

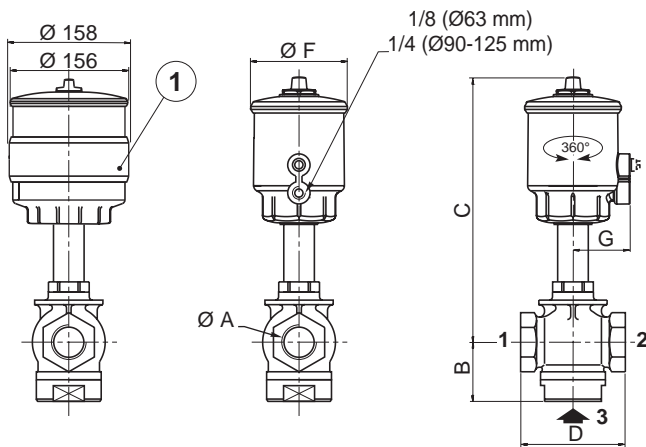
YOUR SELECTION

pipe size	orifice size	flow coefficient Kv		pilot pressure		min.	max. operating pressure differential bar			operator dia.	code	pilot series
		m ³ /h	2→1	min.	max.		air, inert gas, aggressive fluids	water, oil, liquids, aggressive liquids	steam ≤ 184°C			
NC - entry under the disc												
1/2	15	6	4,5	3	10	0	16	16	10	63	E390B002	
3/4	20	9,6	7,2	5	10	0	4	4	4	63	E390B005	189/356
1	25	16,2	12	5	10	0	10	10	10	63	E390B010	
				3	10	0	16	16	10	90	E390B011	314/356
				3	10	0	5	5	5	63	E390B008	189/356
1 1/4	32	24	18	5	10	0	11	11	10	90	E390B009	314/356
							6	6	6	63	E390A016	189/356
1 1/2	40	42,9	31,8	5	10	0	12	12	10	90	E390A017	314/356
							4	4	4	63	E390A020	189/356
NO- entry under the disc												
1/2	15	6	4,5	II(*)	10	0	16	16	10	63	E390B026	
3/4	20	9,6	7,2	II(*)	10	0	16	16	10	63	E390B027	189/356
1	25	16,2	12	II(*)	10	0	16	16	10	63	E390B028	
1 1/2	40	42,9	31,8	II(*)	10	0	11	11	10	63	E390A032	
				IV(*)	10	0	16	16	10	125	E390A489	314/356
2	50	52,8	39	IV(*)	10	0	16	16	10	125	E390A490	

(*) Minimum pilot pressure varies with differential pressure, see page V402-7.

3/2 PRESSURE OPERATED VALVES

DIMENSIONS



operator dia.	ØA	B	C	D	ØF	G
63	1/2	39	198	68	85	50,5
	3/4	44	203	84	85	50,5
	1	52	212	92	85	50,5
90	1 1/4	57	237	110	85	50,5
	1 1/2	61	244	125	85	50,5
	2	69	318	145	156	86
125	1	52	223,5	92	118	67
	1 1/4	57	248	110	118	67
	1 1/2	61	255	125	118	67
125	1 1/2	61	309	125	156	86
	2	69	318	145	156	86

OPTIONS AND ACCESSORIES

	operator dia.	description	code	standard voltages (V)									
				AC (~) / 50Hz			DC (=)						
				24	48	115	230	24	48				
3/2 solenoid pilot valve													
	32-50-63 mm	pilot 189 (G 1/8 - 3,5VA / 3W) - Ø 4 mm O.D.	18900032	✓	✓	✓	✓	✓					
		pilot 356 (G 1/8 - 6VA / 5,5W) brass body	SCG356B053VMS	✓	✓	✓	✓	✓	✓				
	90-125 mm	pilot 356 G 1/4 brass body	SCG356B467VMS	✓	✓	✓	✓	✓	✓				
pilot 314 Ø2,4 mm (G 1/4 - 23VA / 11,2W) brass body		E314K143S1N01 (1)	FL	FR	FT	F8	F1	F9					

(1) Ordering example: add the 2 digits for the voltage at the end of the 15-digit code: E314K143S1N01F1 (24V DC)

2/2 SOLENOID VALVES

2/2 solenoid valves
direct operated
1/8 - 1/4

series 256 series 262 series 263

1 **2** **3**

pages 13

2/2 solenoid valves
pilot operated
3/8 - 2

series 210 series 238

4 **5**

pages 15

2/2 solenoid valves
pilot operated, 3/8 - 3/4
for hot water and steam applications

series 220

6

page 17

2/2 solenoid valves
direct/pilot operated, 1/4 - 1/2
for cryogenic service

series 222LT 262 / 263LT

7 **8**

page 18

2/2 solenoid valves
direct operated
3/8 - 1

series 287

9

page 22

YOUR SELECTION

pipe size									fluids					operating pressure differential bar		(M)	visual	series	page
1/8	1/4	3/8	1/2	3/4	1	1 1/4	1 1/2	2	steam/ hot water	cryogenic fluids	air/gas	water	oil	min.	max.				
2/2 NC - brass body																			
●	●										●	●	●	0	28	●	1	256	13
●	●										●	●	●	0	40	● - X	2	262	13
		●									●	●	●	0	14	X	3	263	13
		●	●	●	●	●	●				●	●	●	0	9	X	4	210	15
		●	●	●	●						●	●	●	0	10	X	5	238	15
		●	●	●	●		●	●			●	●	●	0,35	14	X	4	210	15
		●	●	●	●		●	●			●	●		0,3/0,5	16	● - X	5	238	15
	●										●			0	10,7	X	8	262LT	18
●	●	●									●			0	10,7	X	8	263LT	18
			●	●					●					0/0,3	3-9/10	X	6	220	14
			●								●			0	9	X	7	222LT	18
2/2 NC - brass body - coaxial																			
		●	●								●	●	●	0	40		9	287	22
2/2 NC - stainless steel body																			
●											●	●	●	0	12	●	1	256	13
	●										●	●	●	0	40	●	2	262	13
		●									●	●	●	0	14	●	3	263	13
2/2 NO - brass body																			
	●										●	●	●	0	18	X	2	262	13
		●	●	●							●	●	●	0	9	X	4	210	15
3/2 NO - NC - U: see following pages																			

(M) manual operator X : without ● : with

2/2 SOLENOID VALVES

YOUR SELECTION

pipe size	orifice size mm	flow coefficient Kv m³/h	operating pressure differential bar						power		(M) connector	code G = ISO 228; E = Rp ISO 7/1; B = NPT	body		standard voltages (V)								
			min	max			~	=	W	W			brass	stainless steel	AC (~) / 50Hz			DC (=)					
				air	water	oil									24	48	115	230	24	48			
2/2 NC															15-DIGIT PRODUCT CODE (3)								
	7,1	0,76	0	2	1,6	2	1,5	2	1,3	8,1	10,6	×	E262K090S1NG0	●	FL	FT	F8						
	7,1	0,76	0	2	1,6	2	1,5	2	1,3	8,1	10,6	×	E262K090S1N00	●	FL	FR	FT	F8	H1	H9			
1/4	7,1	0,76	0	4	1,5	5	1,5	4	1,3	10,1	11,6	×	E262K210S1N00	●			FT	F8					
	7,1	0,76	0	4	1,5	5	1,5	4	1,3	10,1	11,6	×	E262K210S1V00	●							H1		
	7,1	0,76	0	6	3	6	3	6	3	17,1	22,6	×	E262K212S1N00	●	FL	FR	FT	F8	H1	H9			
	4	0,45	0	14	3,5	12	3,5	6,5	3	10,1	11,6	●	E263K200S1N01	●	FL	FR	FT	F8	H1	H9			
3/8	4	0,45	0	14	3,5	12	3,5	6,5	3	10,1	11,6	●	E263K331S1N01	●	●	FL	FR	FT	F8	H1	H9		
	5,6	0,63	0	6,5	2	5,5	2	4,5	2	10,1	11,6	●	E263K124S1N01	●	FL	FR	FT	F8	H1	H9			
	5,6	0,63	0	6,5	2	5,5	2	4,5	2	10,1	11,6	●	E263K195S1N01	●	FL	FR	FT	F8	H1	H9			
2/2 NO															15-DIGIT PRODUCT CODE (3)								
	2,4	0,18	0	18	11	15	9	12	6,5	10,1	11,6	×	E262K261S1N00	●	FL	FR	FT	F8	H1	H9			
	3,2	0,3	0	11	6,5	10	6,5	8,5	4,5	10,1	11,6	×	E262K262S1N00	●	FL	FR	FT	F8	H1	H9			
1/4	3,2	0,3	0	11	6,5	10	6,5	8,5	4,5	10,1	11,6	×	E262K262S1V00	●				F8					
	5,6	0,72	0	3	2	3	1,7	2,5	1,7	10,1	11,6	×	E262K264S1N00	●							F8		
	7,1	0,83	0	2	1,3	2	1,1	2	1,1	10,1	11,6	×	E262K265S1N00	●								H1	
2/2 NO															15-DIGIT PRODUCT CODE (3)								
1/8	1,2	0,05	0	10	10	10	10	10	10	4	6,9	×	SCG256B006VMS	●									✓

(M) Manual operator × without ● : with

(1) DIN 43650, 11 mm, industry standard B

(2) ISO 4400 / EN 175301-803, form A

(3) Ordering example: add the 2 digits for the voltage at the end of the 15-digit code: E262K020S1N00H1 (24V DC)

Other type of connectors available:

- Connector with LED and electrical protection, change S1 to S2 on positions 9 and 10 of the code: Ordering example: E262K020S2N00H1

- Connector with LED and protection by Transil + 5 m lead, change S1 to S3 on positions 9 and 10 of the code: Ordering example: E262K020S3N00H1

- Connector with LED and protection by Transil + 5 m CNOMO lead resistant to cutting fluid, change S1 to S4 on positions 9 and 10 of the code: Ordering example: E262K020S4N00H1

DIMENSIONS

(See page 20)

OPTIONS AND ACCESSORIES

Connector with integrated electrical indication and protection or cable of 2m (see page 118)



Replacement coils (see page 119)



Other seal materials FPM, EPDM, CR

Dual frequency voltages, Oxygen service, TPL's (see product catalogue)

15-DIGIT PRODUCT CODE

G 262 K 001 S1 N00 H1

[2D/3D CAD models - In 3D](#)

Thread connection

G = ISO 228/1 (1/8)
E = ISO 228/1 & ISO 7/1 (combination thread, G*)
8 = NPT (SAE 71051)
H = 15 mm compression fittings

Product series

262
263

Revision letter

K = Initial release

Valve version

Electrical interface

S1 = With spade plug connector

Voltage - class

FL = 24 V / 50 Hz - class F
FR = 48 V / 50 Hz - class F
FT = 115 V / 50 Hz - class F
F8 = 230 V / 50 Hz - class F
H1 = 24 V DC - class H
H9 = 48 V DC - class H

Options

Without manual operator

N00 = NBR disc and seals
V00 = FPM disc and seals
VN0 = FPM disc and seals for Oxygen service

EM0 = EPDM disc and seals, WRAS approved⁽²⁾

E00 = EPDM disc and seals
T00 = PTFE disc and seals ⁽¹⁾

⁽¹⁾ (Max. operating pressure limited to 75% of standard value)

Gas

NG0 = NBR disc and seals

With maintained manual operator

N01 = NBR disc and seals

VN1 = FPM disc and seals for Oxygen service

⁽²⁾ [Check the online configurator for available versions on: www.asco.com](#)

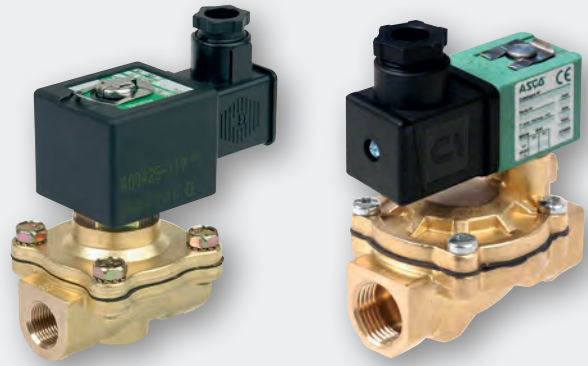
2/2 SOLENOID VALVES

210 and 238 series

pilot operated

brass body, 3/8 to 2

stainless steel body, 1/2 to 1



		series 210	series 238
Fluids		air, inert gas, water, oil	air, inert gas, water
Differential pressure		refer to selection table	
Fluid temperature (TS)		-20°C to +85°C	-10°C to +85°C
Ambient temperature (TS)		-20°C to +75°C -20°C to +50°C	-10°C to +60°C
Body		brass / St. steel	
Sealings		NBR (standard) or FPM (V suffix) or EPDM (E suffix)	
Standard voltages	DC (=)	24 - 48V	
	AC (~)	24 - 48 - 115 - 230V / 50Hz	

- Wide range of pipe sizes, pressure ratings, and resilient materials provide long service life and low internal leakage
- Our most economical, high flow valves for liquid, corrosive, and air/inert gas service
- Industrial applications include: car wash, air compressors, pumps, laundry equipment, industrial water control
- Compact design saves space, reduces installation time, and simplifies service

YOUR SELECTION

pipe size	orifice size	flow coefficient Kv	operating pressure differential bar				power		(M)	connec-tor	code G = ISO 228; E = Rp ISO 7/1; B = NPT	body		standard voltages (V)					
			min.	max. (PS)		~	=	~				=	W	W	brass	stainless steel	AC (~) / 50Hz		DC (=)
				air/water	oil												24	48	
2/2 NC - Min. pressure 0 bar (hung diaphragm)																			
3/8	12,5	2,1	0	10	10	-	-	6	15,3	×	SCG238A044	●	✓	✓	✓	✓			
	16	2,6	0	9	3	-	-	10,5	11,2	×	SCE210C093	●	✓	✓	✓	✓			
	16	2,6	0	9	3	-	-	10,5	11,2	●	SCE210C093MO	●	✓	✓	✓	✓			
1/2	12,5	2,1	0	10	10	-	-	6	15,3	×	SCG238A046	●	✓	✓	✓	✓			
	16	3,4	0	9	3	-	-	10,5	11,2	×	SCE210C094	●	✓	✓	✓	✓			
	16	3,4	0	9	3	-	-	10,5	11,2	●	SCE210C094MO	●	✓	✓	✓	✓			
	16	3,4	0	9	3	9	-	16,7	11,2	×	SCG210C087	●	✓	✓	✓	✓			
	19	4,2	0	10	10	-	-	6	15,3	×	SCG238A047	●	✓	✓	✓	✓			
3/4	19	4,3	0	9	3	-	-	10,5	11,2	×	SCE210D095	●	✓	✓	✓	✓			
	19	4,3	0	9	3	-	-	10,5	11,2	●	SCE210D095MO	●	✓	✓	✓	✓			
	19	4,5	0	10	10	-	-	6	15,3	×	SCG238A048	●	✓	✓	✓	✓			
	19	10	0	10	10	-	-	9	15,3	×	SCG238A049	●	✓	✓	✓	✓			
	1	25	11,1	0	9	6	9	6	15,4	23	×	SCE210B154	●	✓	✓	✓	✓		
1 1/4	28	12,8	0	9	6	9	6	15,4	23	×	SCG238A050	●	✓	✓	✓	✓			
1 1/2	32	19,3	0	9	5	9	5	15,4	23	×	SCE210B155	●	✓	✓	✓	✓			
1 1/2	32	19,3	0	9	5	9	5	15,4	23	×	SCE210B156	●	✓	✓	✓	✓			
2/2 NO - Min. pressure 0 bar (hung diaphragm)																			
3/8	16	2,6	0	9	9	9	5	10,5	11,2	×	SCE210C033	●	✓	✓	✓	✓			
	16	2,6	0	9	9	7	5	10,5	11,2	×	SCB210B030	●	✓	✓	✓	✓			
1/2	16	3,4	0	9	9	9	5	10,5	11,2	×	SCE210C034	●	✓	✓	✓	✓			
	16	3,4	0	9	9	9	5	10,5	11,2	×	SCE210C035	●	✓	✓	✓	✓			
3/4	19	4,7	0	9	9	9	5	10,5	11,2	×	SCE210B057	●	✓	✓	✓	✓			
1	25	11,2	0	9	-	9	-	20	1	×		●	✓	✓	✓	✓			

(M) Manual operator

× : without ● : with

(1) ISO 4400 / EN 175301-803, form A

2/2 SOLENOID VALVES

220 series

pilot operated

HOT WATER/STEAM SERVICE

brass body, 3/8 - 3/4



Fluids	hot water	steam	
Differential pressure	0/0,3 - 3-9/10		
Fluid temperature (TS)	-20°C to +98°C	-20°C to +147°C (class F)	-20°C to +177°C (class H)
Ambient temperature (TS)	0°C to +52°C (class F) 0°C to +60°C (class H)	0°C to +52°C	0°C to +60°C
Body	brass		
Sealings	PTFE		
Standard voltages	DC (~) 24 - 48V AC (=) 24 - 48 - 115 - 230V / 50 Hz-		

- Hot Water service up to 10 bar and 100° C
- Steam service up to 9 bar and 180° C -Long life
- 1 million cycles on hot water and 3.5 bar steam, 500,000 cycles on 9 bar steam (tested under laboratory conditions)
- Threaded bonnet for quick inspection and serviceability; reducing downtime and maintenance costs
- Pilot operated diaphragm and piston valves -Stainless steel seats
- Floating PTFE diaphragms or stainless steel pistons with EPDM or PTFE discs
- Available in both AC and DC voltages

YOUR SELECTION

E 220 K 402 S1 T00 H1

Thread connection

E = ISO 228/1 & ISO 7/1
(combination thread)

Product series

220

Revision letter

K = Initial release

Valves version

402 = 3/8, class F
403 = 3/8, class H
405 = 1/2, class F
406 = 1/2, class H
408 = 3/4, class F
409 = 3/4, class H

Voltage - class

FL = 24 V / 50 Hz - class F
FR = 48 V / 50 Hz - class F
FT = 115 V / 50 Hz - class F
F8 = 230 V / 50 Hz - class F
HL = 24 V / 50 Hz - class H
HR = 48 V / 50 Hz - class H
HT = 115 V / 50 Hz - class H
H8 = 230 V / 50 Hz - class H
H1 = 24 V DC - class H
H9 = 48 V DC - class H

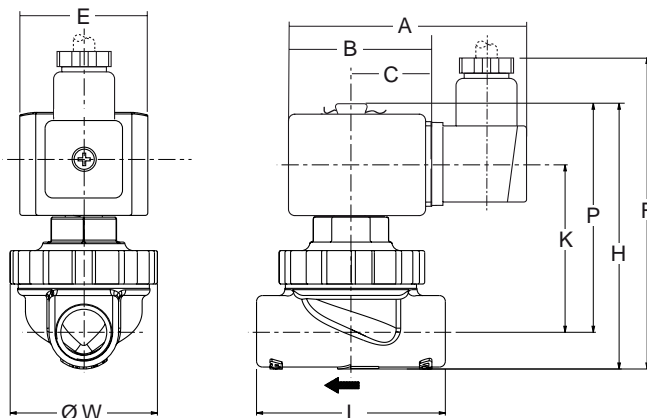
Options

T00 = PTFE (standard)

Electrical interface

S1 = With spade plug connector

DIMENSIONS



Series 220

Pipe size	A	B	C	E	F
3/8 - 1/2	91	51	30	50	132
3/4	95	57	33	50	134

Pipe size	H	K	L	P	W
3/8 - 1/2	104	65	73	90	57
3/4	106	64	73	89	72

OPTIONS AND ACCESSORIES

Connector with integrated electrical indication and protection or cable of 2m (see page 118)



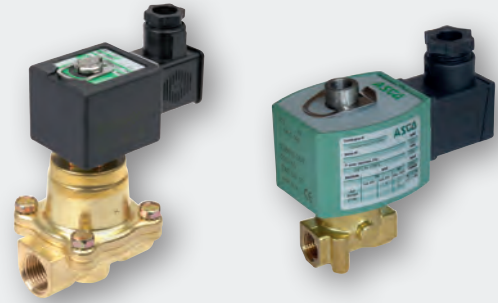
Replacement coils (see page 119)



Use suffix MB to order incl. mounting bracket, only for series 222.

2/2 SOLENOID VALVES

222LT, 262, 263 and 263LT
series direct / pilot operated
CRYOGENIC SERVICE
brass body, 1/8 to 1/2



	222LT	262 / 263 / 263LT
Fluids	cryogenic fluids	
Differential pressure	refer to selection table	
Fluid temperature (TS)	-196°C to +90°C	-196°C to +60°C
Ambient temperature (TS)	-20°C to +50°C	-40°C to +55°C
Body	brass	
Sealings	PTFE	
Standard voltages	DC (~) 24 V AC (=) 24 - 48 - 115 - 230V / 50 Hz	

- Direct / pilot operated
- The solenoid valves will withstand the severe service encountered in controlling cryogenic fluids, such as liquid oxygen (-183°C), liquid argon (-186°C) and liquid nitrogen (-196°C)
- Valves do not require a minimum operating pressure
- All valves are degreased, cleaned, tested and packed to keep them free of moisture
- The solenoid valves satisfy all relevant EU directives

YOUR SELECTION

pipe size	orifice size mm	flow coefficient Kv m³/h	operating pressure differential (bar)				power		connector	code 8 = NPT (SAE 71051) E = Rp ISO 7/1; B = NPT G = ISO 228/1 (1/8)	standard voltages (V)				
			min.	max.		~	=	AC (~) / 50Hz			DC (=)				
				cryogenic fluids *				W				W	24	48	115
series 222LT - 2/2 NC															
1/2	16	3,3	0	9	-	16,7	-	size 30 (1)	SCE222E002LT	✓					
series 262 - 2/2 NC															
15-DIGIT PRODUCT CODE															
1/4	5,6	0,63	0	6,9	2,9	17,1	22,6	size 30 (1)	8262K114S1TD0	FL	FR	FT	F8	H1	
1/4	5,6	0,63	0	6,9	2,9	17,1	22,6		E262K114S1TD0	FL	FR	FT	F8	H1	
1/4	3,2	0,3	0	10,7	5,2	10,1	11,6		8262K232S1TD0	FL	FR	FT	F8	H1	
1/4	3,2	0,3	0	10,7	5,2	10,1	11,6		E262K232S1TD0	FL	FR	FT	F8	H1	
1/4	7,1	0,76	0	4	1,9	17,1	22,6		8262K212S1TD0	FL	FR	FT	F8	H1	
1/4	7,1	0,76	0	4	1,9	17,1	22,6		E262K212S1TD0	FL	FR	FT	F8	H1	
series 263 - 2/2 NC															
15-DIGIT PRODUCT CODE															
3/8	5,6	0,63	0	6,2	2,9	17,1	22,6	size 30 (1)	E263K206S1TD0	FL	FR	FT	F8	H1	
3/8	5,6	0,63	0	6,2	2,9	17,1	22,6		8263K206S1TD0	FL	FR	FT	F8	H1	
3/8	3,2	0,3	0	10,7	5,2	10,1	11,6		E263K232S1TD0	FL	FR	FT	F8	H1	
3/8	7,1	0,76	0	4	1,9	17,1	22,6		8263K210S1TD0	FL	FR	FT	F8	H1	
3/8	7,1	0,76	0	4	1,9	17,1	22,6		E263K210S1TD0	FL	FR	FT	F8	H1	
3/8	3,2	0,3	0	10,7	5,2	10,1	11,6		8263K232S1TD0	FL	FR	FT	F8	H1	
1/8	3,2	0,3	0	10,7	5,2	10,1	11,6	size 30 (1)	8263K240S1TD0	FL	FR	FT	F8	H1	
1/8	3,2	0,3	0	10,7	5,2	10,1	11,6		G263K240S1TD0	FL	FR	FT	F8	H1	
series 263 - 2/2 NC															
1/4	5,6	0,48	0	7	-	16,7	-	size 30 (1)	SCE263-205LT	✓				✓	
1/4	7,1	0,6	0	3	-	10,5	-		SCE263-209LT	✓				✓	
3/8	7,1	0,6	0	3	-	10,5	-		SCE263A210LT		✓				
3/8	5,6	0,48	0	7	-	16,7	-		SCE263B206LT	✓				✓	

(1) ISO 4400 / EN 175301-803, form A

* Ensure that the compatibility of the fluids in contact with the materials is verified.

YOUR SELECTION

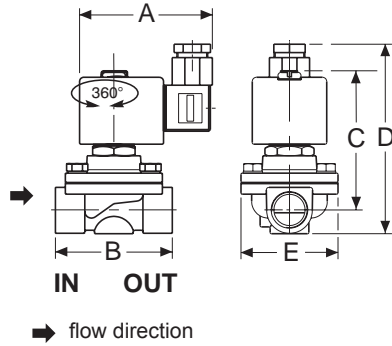
<p>Thread connection</p> <p>G = ISO 228/1 (1/8) E = ISO 228/1 & ISO 7/1 (combination thread, G*) 8 = NPT (SAE 71051) [contact us]</p> <p>Product series</p> <p>262 (1/4) 263 (1/8 - 3/8)</p> <p>Revision letter</p> <p>K = Initial release</p> <p>Valve version</p>	<p>G --- K 402 S1 T00 H1</p>	<p>Voltage - class</p> <p>FL = 24 V / 50 Hz - class F FR = 48 V / 50 Hz - class F FT = 115 V / 50 Hz - class F F8 = 230 V / 50 Hz - class F H8 = 230 V / 50 Hz - class H H1 = 24 V DC - class H H9 = 48 V DC - class H</p> <p>Options</p> <p>Without manual operator</p> <p>T00 = PTFE (standard)</p> <p>Electrical interface</p> <p>S1 = With spade plug connector</p>
---	--	--

[2D/3D CAD models - In 3D](#)

2/2 SOLENOID VALVES

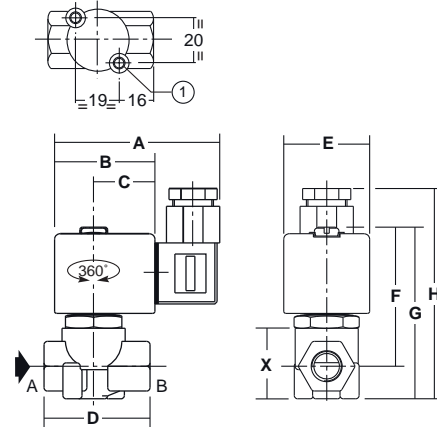
DIMENSIONS

series 222



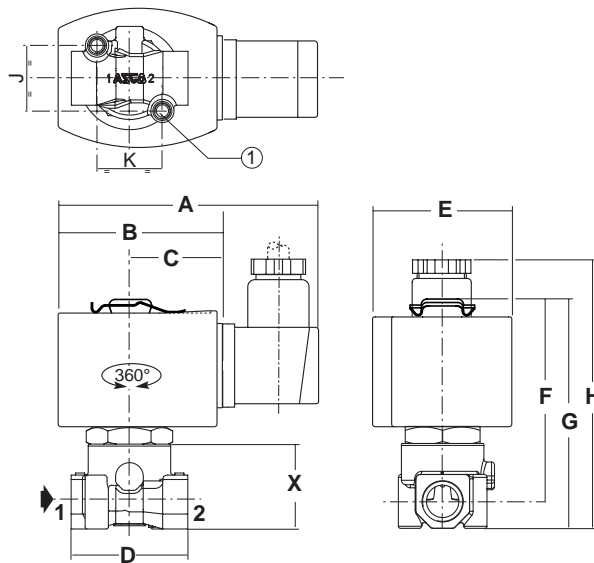
series	A	B	C	D	E
222	80	70	104	131	59

series 263LT



series	A	B	C	D	E	F	G	H	X
263LT	80	50	30	48	45	68	83	100	34

series 262/263



series	A	B	C	D	E	F	G	H	X
1/8 - 1/4	95	57	33	40	50	69	78	93	29
3/8	95	59	34	48	50	69	80	95	31

OPTIONS AND ACCESSORIES

Connector with integrated electrical indication and protection or cable of 2m (see page 118)



Replacement coils (see page 119)



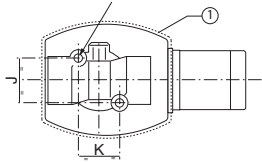
2/2 SOLENOID VALVES

DIMENSIONS

2/2 Solenoid valves, direct operated, series 256 - 262 - 263

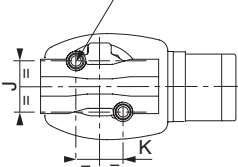
bottom view
(series 262)

2 mounting holes M5 dia.,
depth 7,5 mm

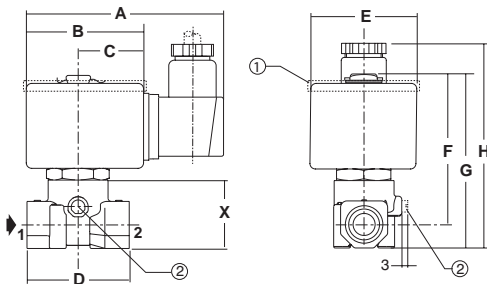


bottom view
(series 263)

2 mounting holes M5 dia.,
depth 6 mm.



series 262-263

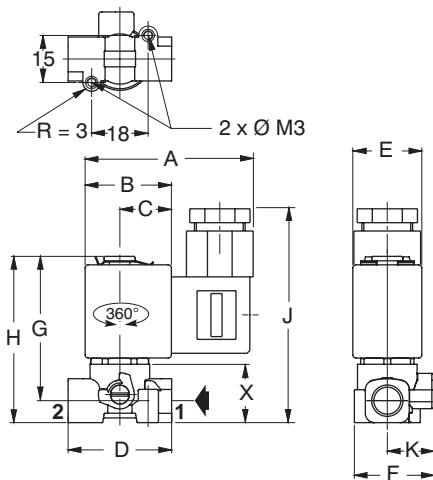


code	A	B	C	D	E	F	G	H	J	K	X
SCG256B001VMS											
SCG256B002VMS											
SCG256B003VMS											
SCG256B004VMS	57,5	27,5	16,5	33	22	46	53	69	15	18	18,6
SCG256B016VMS											
SCG256B402VMS											
SCG256B404VMS											
SCG256B466VMS	73	38	23,3	40	29,7	48	57	78,5	21	18	23,4
SCG256B470VMS											
E262K020S1N00											
E262K022S1N00	95	57	33	40	43	65	75	92	22	22	30
E262K022S1V00											
E262K023S1N00											
E262K108S1N00											
E262K202S1N00	95	57	33	40	50	69	78	96	22	22	30
E262K232S1N00											
E262K232S1N01											
E262K090S1N00	95	57	33	40	43	65	75	92	22	22	30
E262K108S1N01											
E262K202S1N01											
E262K208S1N00											
E262K208S1N01	95	57	33	40	50	69	78	96	22	22	30
E262K208S1E00											
E262K208S1E01											
E262K212S1N00											
E262K261S1N00	96	59	34	40	52	69	78	96	22	22	30
E262K262S1N00											
E262K182S1N01	95	57	33	40	50	69	78	96	22	22	30
E262K184S1N01											
E263K200S1N01											
E263K124S1N01	95	57	33	48	50	69	80	107	20,5	19	32
E263K331S1N01											
E263K195S1N01											

➔ flow direction

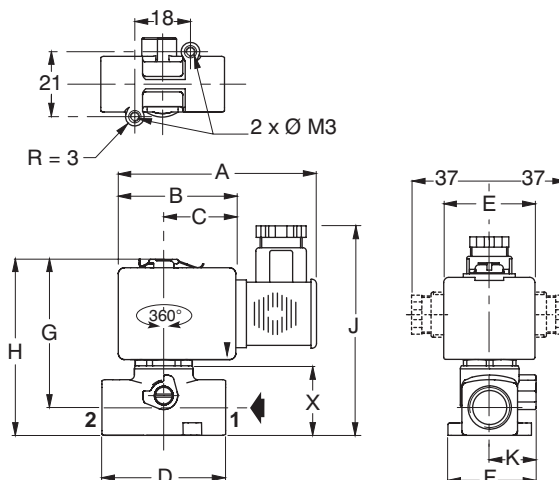
- ① NO version only.
- ② Manual operator location.

256 NC 1/8



➔ flow direction

256 NC 1/4

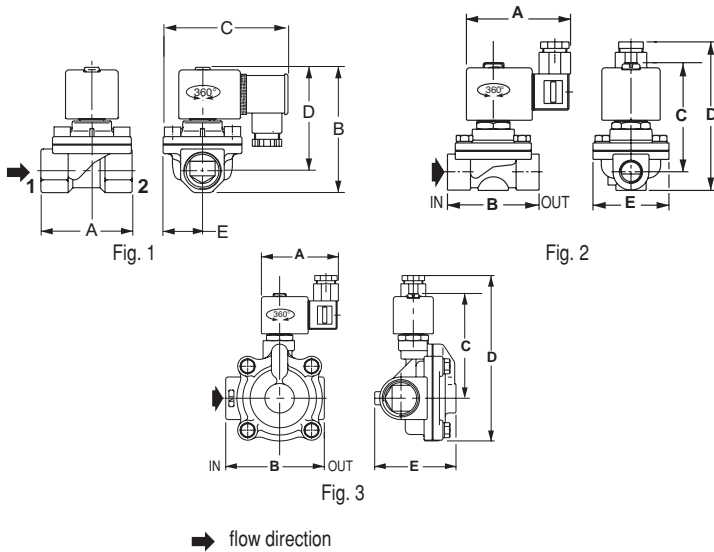


2/2 SOLENOID VALVES

DIMENSIONS

2/2 Solenoid valves, pilot operated series 210 - 238

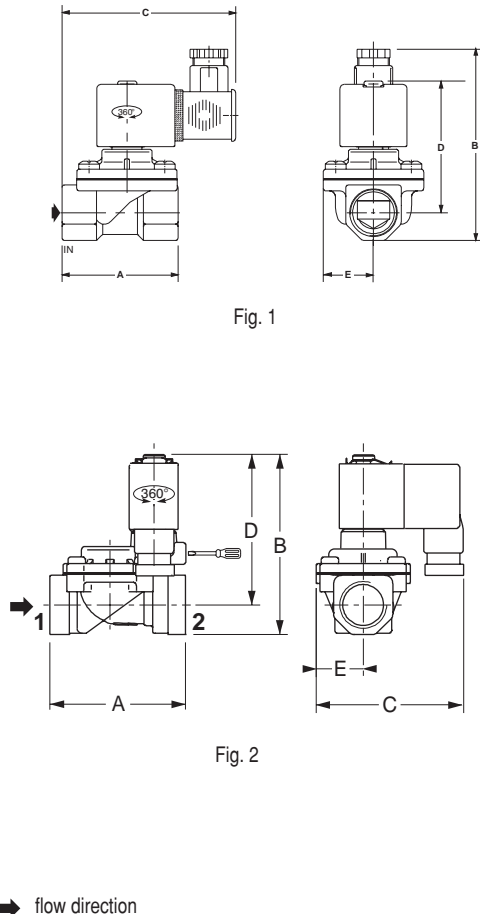
210



code	A	B	C	D	E	(C)
SCE210C093						
SCE210C093MO						
SCE210C094	70	97	89	80	29	
SCE210C094MO						
SCE210D095						
SCE210D095MO						
SCE210B154	95	129	104,5	112	41,5	Fig. 1
SCE210B155	95	143	104,5	112	41,5	
SCE210B156	111	153	112,5	125	49,5	
SCE210C033	70	108	89	98	29	
SCE210C034	70	117	89	102	29	
SCE210C035	86	95	155	157	83	
SCE210B057	70	103	75	72	29	Fig. 2
SCE210D001	70	103	75	72	29	
SCE210D002	71	109	75	76	29	
SCE210D009	80	111	109	174	100	
SCE210D004	80	111	109	174	100	Fig. 3
SCE210D022	75	129	116	203	120	
SCE210-100 (AC)						

(C) Construction type

238



code	A	B	C	D	E	(C)
SCG238A044	52	104	91,5	72	18,5	
SCG238A046	52	104	91,5	72	18,5	
SCG238A047	65	106	107	74	29	
SCG238A048	67	111	109	76	29	Fig. 1
SCG238A049	86	131	117,5	92	36,5	
SCG238D101V	60	95	60	67	20	
SCG238D102V	66	100	66	69	20	
SCG238D103V	79	107	79	73,5	25	
SCG238D104V	105	123	105	85	35,5	
SCE238D001						
SCE238D001MO	62	82	71	69	22	
SCE238D002						
SCE238D002MO						
SCE238D003	82	85	78	71	29	
SCE238D003MO						
SCE238D004	95	96	83	80	34	
SCE238D004MO						
SCE238D005	106	105	93	85	44	
SCE238D005MO						
SCE238D006						
SCE238D006MO	62	83	61,5	70	22	Fig. 2
SCE238D007						
SCE238D007MO						
SCE238D008	82	86	77,5	72	29	
SCE238D008MO						
SCE238D009	95	97	89,5	81	34	
SCE238D009MO						
SCE238D010	106	106	97	86	44	
SCG238D016	113	134	97	108	40,5	
SCG238D017	140	142	111	112	55	
SCG238D017MO	140	142	111	112	55	
SCG238D018	157	152	111	116	55	

(C) Construction type

2/2 SOLENOID VALVES

287 series

COAXIAL

direct operated

for high pressure fluids

3/8



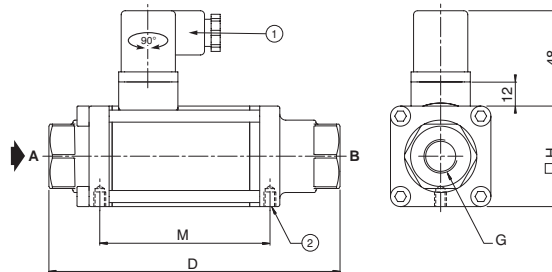
Fluids		air, gas, water, oil
Differential pressure		refer to selection table
Fluid temperature		-20°C to +100°C
Ambient temperature		-20°C to +60°C
Maximum viscosity		500 cSt (mm ² /s)
Body		brass
Sealing disc/cable gland		FPM /PTFE
Standard voltages	DC (=)	24 V
Class H		

- Compatible with various or abrasive gases and fluids
- High flow rate
- High pressure applications up to 40 bar
- Waterhammer free
- Long lifetime - robust construction
- Excellent chemical resistance
- Bi directional flow
- Backpressure safe

YOUR SELECTION

pipe size	orifice size	flow coefficient Kv	operating pressure differential bar		power		code	dimensions mm								
			min.	max.	W	W		brass	D	H	M	N				
				water			B → A (~/=)						A → B (~/=)	~	=	~/=
G	mm	m ³ /h														
2/2 NC																
3/8	10	2,2	0	12	40	42	35	SCG287A001	145	50	85	-				

DIMENSIONS

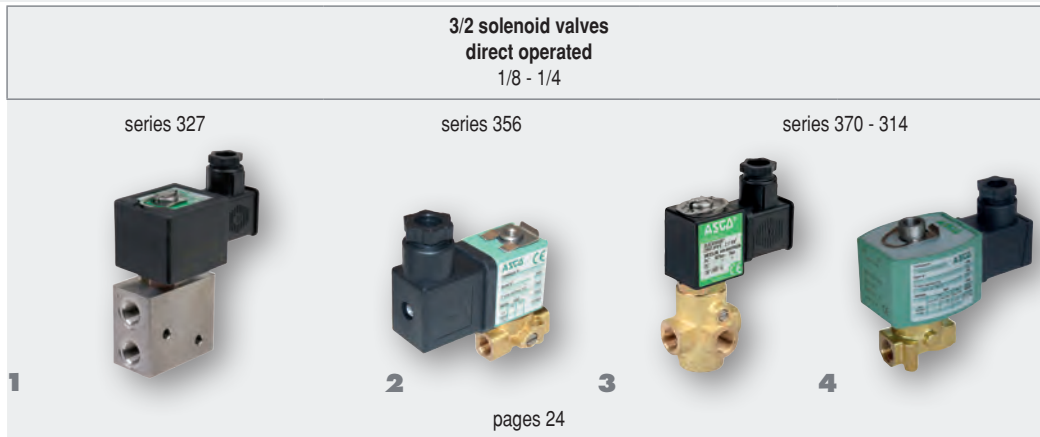


- ① Connector rectifier for AC (~)
- ② 2 mounting holes Ø M5, depth 7 mm

OPTIONS AND ACCESSORIES

Mounting brackets

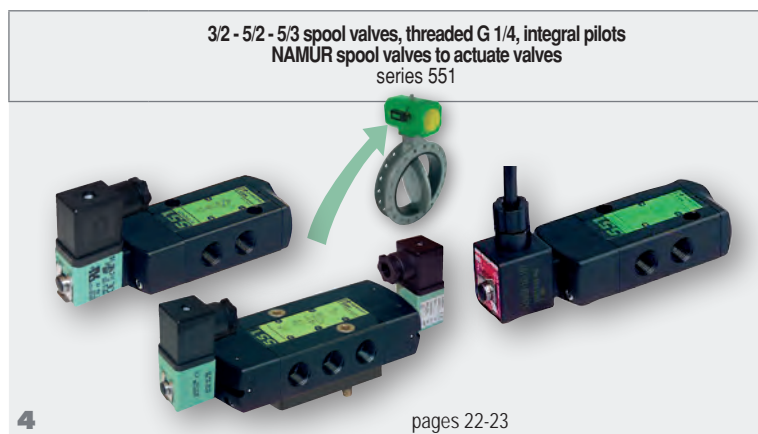
3/2 SOLENOID VALVES - 3/2-5/2-5/3 SPOOL VALVES



YOUR SELECTION

pipe size		fluids			operating pressure differential bar		(M)	visual	series	page
1/8	1/4	air/gas	water	oil	min.	max.				
3/2 NC - brass body										
●	●	●	●	●	0	15	×	2	356	24
	●	●	●	●	0	10	×	3	370	24
	●	●	●	●	0	14	● - X	4	314	24
3/2 NC - stainless steel body										
	●	●	●	●	0	16	×	3	370	24
	●	●	●	●	0	20	×	4	314	24
3/2 NO - brass body										
●		●	●	●	0	8,5	×	2	356	24
	●	●	●	●	0	10	×	3	370	24
	●	●	●	●	0	11	● - X	4	314	24
3/2 U - brass body										
	●	●	●	●	0	4,5	×	4	314	24
	●	●	●	●	0	10	×	1	327	24
3/2 U - stainless steel body										
	●	●	●	●	0	10	×	1	327	24

(M) manual operator X : without ● : with



YOUR SELECTION

pilot		connection Ø G										NAMUR interface	ATEX	max. pressure bar	flow at 6 bar l/min (ANR)	visual	series	page
sole-noid	pilot	M3	M5	1/8	1/4	3/8	1/2	3/4	1	1 1/2								
3/2																		
●	●			●							●	●	8/10	860	4	551	27	
5/2-5/3																		
●	●			●							●	●	10	860	4	551	27	
●	●										●	●		700	4	551		

3/2 SOLENOID VALVES

314, 327, 356 and 370 series
direct operated
brass body, 1/8 - 1/4
stainless steel body, 1/8 - 1/4



	series 356	series 370	series 314	series 327
Fluids	air, inert gas, water, oil			
Differential pressure	refer to selection table			
Fluid temperature (TS)	-10°C to +100°C	-25°C to +80°C	-25°C to +90°C	-20°C to +120°C
Ambient temperature (TS)	-10°C to +60°C	-25°C to +60°C	-25°C to +55°C	-40°C to +55°C
Body	brass/st. steel			
Sealings	FPM (standard)	NBR (standard) or FPM (V00)	NBR (standard) or FPM (V00)	FPM (fluorelastomer)
Standard voltages	DC (=) 24 - 48V AC (-) 24 - 48 - 115 - 230V / 50Hz			

- Valves do not require a minimum operating pressure and have a high operating pressure as indicated
- AC/DC interchangeability of the coil (356 and 370 series)
- Large selection of seal materials providing wide chemical compatibility
- Compliance with UL and CSA standards
- The solenoid valves satisfy all relevant EU directives

YOUR SELECTION

pipe size	orifice size	flow coefficient Kv		operating pressure differential (bar)						power		(M)	connector	code G = ISO 228; E = Rp ISO 7/1; B = NPT	body		standard voltages (V)						
		2->1	3->1	max.						~	=				brass	stainless steel	AC (~) / 50Hz		DC (=)				
		m³/h	m³/h	min.	air	water	oil	~	=	W	W						24	48	115	230	24	48	
NC																							
1/8	1,2	0,05	0,05	0	15	15	15	15	15	15	4	6,9	●	SCG356B001VMS	●	✓	✓	✓	✓				
		0,08	0,05	0	10	10	10	10	10	10	4	6,9	●	SCG356B002VMS	●	✓		✓	✓				
	1,6	0,08	0,05	0	10	10	10	10	10	10	4	6,9	●	SCG356B014VMS	●	✓							
		0,08	0,05	0	10	10	10	10	-	-	4	6,9	●	SCG356B053VMS	●	✓	✓	✓	✓				
1/4	2,4	0,13	0,05	0	4	4	4	4	4	4	4	6,9	●	SCG356B004VMS	●	✓	✓	✓	✓				
		0,13	0,05	0	10	10	10	10	10	10	5	5	●	SCG356B466VMS	●	✓	✓		✓				
	2,4	0,16	0,05	0	4	4	4	4	4	4	5	5	●	SCG356B470VMS	●	✓			✓				
		0,2	0,2	0	10	5	10	5	10	5	8	10,8	×	SCE370A002	●				✓				
	2,7	0,2	0,2	0	10	10	10	10	10	10	10,5	11,2	×	SCE370A017	●	✓		✓	✓	✓			
		0,2	0,2	0	10	10	10	10	10	10	10,5	11,2	●	SCE370A017MS	●	✓	✓	✓	✓	✓			
		0,2	0,2	0	10	10	10	10	10	10,5	11,2	×	SCHTE370A017	●	✓				✓				
Oxygen service															15-DIGIT PRODUCT CODE (3)								
1/4	1,2	0,04	0,05	0	20	7	20	17	20	17	10,1	11,6	×	E314K034S1VN0	●				F8	F1			
		0,13	0,07	0	14	10	14	8	13	6	10,1	11,6	●	E314K035S1VN1	●				F8	F1			
NC																			15-DIGIT PRODUCT CODE (3)				
1/4	1,2	0,04	0,05	0	20	17	20	17	20	17	10,1	11,6	×	E314K068S1V00	●	FL	FR	FT	F8	F1	F9		
		0,13	0,17	0	14	10	14	8	13	6	10,1	11,6	×	E314K035S1N00	●	FL	FR	FT	F8	F1	F9		
	2,4	0,13	0,17	0	14	10	14	8	13	7	10,1	11,6	●	E314K035S1N01	●	FL	FR	FT	F8	F1	F9		
		0,22	0,17	0	10	6	10	6	6,5	4,5	10,1	11,6	×	E314K036S1N00	●				FT	F1			
	4	0,43	0,17	0	5	3	5	3	5	3	10,1	11,6	×	E314K130S1N00	●						F1		
U - Universal																			15-DIGIT PRODUCT CODE (3)				
1/4	5,7	0,45	0,45	0	10	10	10	10	10	10	10	10	×	SCG327B001	●	✓	✓	✓	✓	✓	✓		
		0,45	0,45	0	10	10	10	10	10	10	10	10	×	SCB327B001	●	✓	✓	✓	✓	✓	✓		
	5,7	0,45	0,45	0	10	10	10	10	10	10	10	10	×	SCB327B002	●	✓	✓	✓	✓	✓	✓		
		0,45	0,45	0	10	10	10	10	10	10	10	10	×	SCG327B002	●	✓	✓	✓	✓	✓	✓		
1,4	2,7	0,20	-	0	5	5	5	5	5	5	10,5	11,2	×	SCE370A057V	●	✓							
U - Universal																			15-DIGIT PRODUCT CODE (3)				
1/4	2,4	0,13	0,17	0	7	7	5,5	5,5	4	4	10,1	11,6	●	E314K007S1VN1	●				FT				
		0,22	0,17	0	4,5	3,5	4,5	3	2,5	3	10,1	11,6	×	E314K008S1V00	●	FL	FR	FT	F8	F1	F9		
	3,2	0,22	0,17	0	4,5	3,5	4,5	3	2,5	3	10,1	11,6	×	E314K008S1N00	●						F8		
NO																			15-DIGIT PRODUCT CODE (3)				
1/8	1,6	0,096	0,05	0	8,5	8,5	8,5	8,5	8,5	8,5	4	6,9	●	size 22 (1)	SCG356B006VMS	●	✓	✓	✓	✓	✓		
		0,11	-	0	10	10	10	10	10	10	10,5	11,2	●	size 30 (2)	SCE370A021MS	●			✓		✓		
NO																			15-DIGIT PRODUCT CODE (3)				
1/4	3,2	0,22	0,17	0	11	10	11	10	11	8	10,1	11,6	×	size 30 (2)	E314K054S1N00	●	FL	FR	FT	F8	F1	F9	
		0,22	0,17	0	11	10	11	10	11	8	10,1	11,6	●	size 30 (2)	E314K054S1N01	●	FL	FR	FT	F8	F1	F9	

(M) Manual operator × : without ● : with (1) DIN 43650, 11 mm, industry standard B (2) ISO 4400 / EN 175301-803, form A
(3) Ordering example : add the 2 digits for the voltage at the end of the 15-digit code: E314K035S1N00F1 (24V DC)

Other type of connectors available:

- Connector with LED and electrical protection, change S1 to S2 on positions 9 and 10 of the code: Ordering example: E314K035S2N00F1
- Connector with LED and protection by Transil + 5 m lead, change S1 to S3 on positions 9 and 10 of the code: Ordering example: E314K035S3N00F1
- Connector with LED and protection by Transil + 5 m CNOMO lead resistant to cutting fluid, change S1 to S4 on positions 9 and 10 of the code: Ordering example: E314K035S4N00F1


3/2 SOLENOID VALVES

DIMENSIONS


(See page 26)

OPTIONS AND ACCESSORIES

Connector with integrated electrical indication and protection or cable of 2m (see page 118)



Replacement coils (see page 119)



Other seal materials FPM, EPDM, CR

Dual frequency voltages, WRAS approval, Oxygen service, TPL's (see product catalogue)

15-DIGIT PRODUCT CODE

- **314** **K** **034** **S1** **N00** **F1**

[2D/3D CAD models](#) - *In 3D*

Thread connection

- G = ISO 228/1 (1/8)
- E = ISO 228/1 & ISO 7/1 (combination thread, G*)
- 8 = NPT (SAE 71051)

Product series

314

Revision letter

K = Initial release

Valve version

Electrical interface

S1 = With spade plug connector

Voltage - class

- FL = 24 V / 50 Hz - class F
- FR = 48 V / 50 Hz - class F
- FT = 115 V / 50 Hz - class F
- F8 = 230 V / 50 Hz - class F
- H1 = 24 V DC - class H
- H9 = 48 V DC - class H

Options

Without manual operator

- N00 = NBR disc and seals
- V00 = FPM disc and seals
- VN0 = FPM disc and seals for Oxygen service

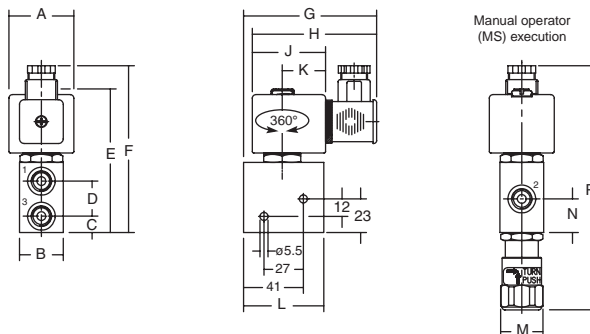
With maintained manual operator

- N01 = NBR disc and seals
- V01 = FPM disc and seals
- VN1 = FPM disc and seals for Oxygen service

⁽²⁾ [Check the online configurator for available versions on: **www.asco.com**](#)

DIMENSIONS

3/2 solenoid valves, series 327

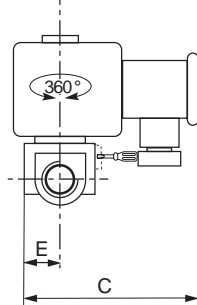
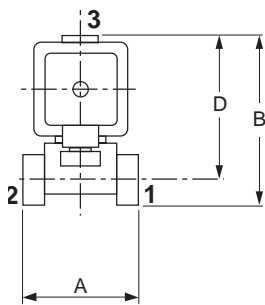
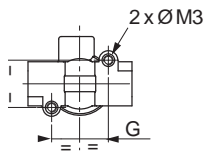


code	pipe size	A	B	C	D	E	F	G	H	J	K	L	M	N	P
3/2 U															
Series 327	1/4	45	30	11	24	90	114	91	85	50	30	55	29	23	167

3/2 SOLENOID VALVES

DIMENSIONS

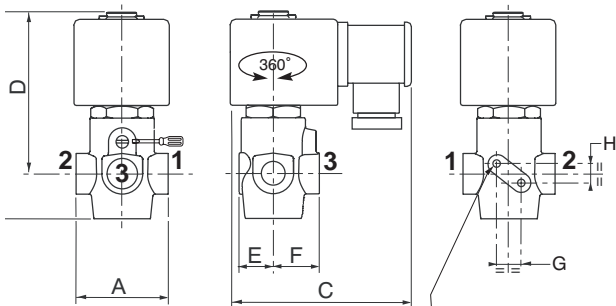
3/2 solenoid valves, series 356



➔ flow direction

code	pipe size	A	B	C	D	E	F	G	➔
3/2 NC									
SCG356B001VMS									
SCG356B002VMS	1/8	33	53	59	46	15	15	18	2➔1
SCG356B004VMS									
SCG356B053VMS									
SCG356B466VMS	1/4	40	57	72	48	15	21	18	2➔1
SCG356B470VMS									
3/2 NO									
SCG356B006VMS	1/8	33	53	59	46	15	15	18	3➔1

3/2 Solenoid valves, series 370

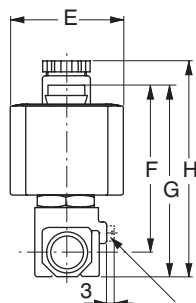
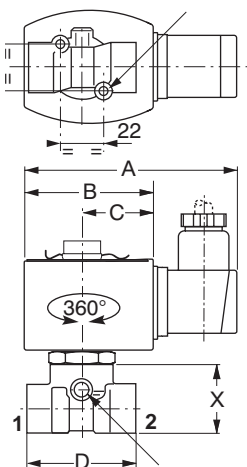


2 mounting holes M4 dia., depth 7 mm

code	A	B	C	D	E	F	G	H	➔
3/2 NC									
SCE370A017									
SCE370A017MS	43	97	86	76	15,5	21,5	11,2	9,4	2➔1
SCHTE370A017									

3/2 Solenoid valves, series 314

2 mounting holes M5 dia., depth 6 mm.



Manual operator location

Manual operator location

➔ flow direction

code	A	B	C	D	E	F	G	H	X	➔
E314K035S1N00										
E314K035S1N01										2➔1
E314K008S1V00										-
E314K054S1N00	97	59	34	40	50	73	82	96	30	3➔1
E314K054S1N01										3➔1
E314K068S1V00										2➔1

3/2-5/2-5/3 SPOOL VALVES

551 series
threaded G 1/4
integral pilots
solenoid air operated
or with Namur interface



Fluids	air or inert gas, filtered, lubricated or not
Operating pressure	2 to 10 bar or 2 to 8 bar (CNOMO pilot versions)
Pilot pressure	internal piloting or 2 to 10 bar (external piloting)
Ambient temperature	-25°C to +60°C
Flow (Qv at 6 bar) (ANR)	860 l/min (700 l/min for NAMUR versions)
Body	black anodised aluminium
Internal parts	zamak, stainless steel, POM (polyacetal), aluminium
End plates	PA (polyamide), glass-fibre reinforced
Sealings	NBR (nitrile) + PUR (polyurethane)
Standard voltages DC (=)	24V-48V
AC (~)	24V-48V-115V-230V/50Hz

- Resistance to harsh environments thanks to its "non-breathing" design, and threaded and NAMUR construction
- Reliable spool valve technology for continuous process availability
- Aluminium, brass and 316L stainless steel body options, making it suitable for all extremes of environment
- Low power construction for more efficiency
- Wide temperature range: -40°C to +80°C
- Wide explosion proof solenoid offering
- Global certification, including ATEX, CUTR, UL, SIL, and more

YOUR SELECTION

integral pilot versions for valve piloting	code (1)	power		(M)	connector	standard voltages (V)					
		~ VA	= W			AC (~) / 50Hz				DC (=)	
						24	48	115	230	24	48
3/2 NC - solenoid air operated - spring return (monostable function)											
	SCG551A005MS	3,5	3	●	size 22 (2)	✓				✓	✓
5/2 - solenoid air operated - spring return (monostable function)											
	SCG551A017MS	3,5	3	●	size 22 (2)	✓	✓	✓	✓	✓	✓
5/2 - solenoid air operated - solenoid air return (bistable)											
	SCG551A018MS	3,5	3	●	size 22 (2)	✓	✓	✓	✓	✓	✓
5/3 - solenoid air operated - pressure held W1											
	SCG551A067MS	3,5	3	●	size 22 (2)					✓	✓

(M) Manual operator ● : with maintained manual operator

(1) When ordering, please specify in addition to the code: the type of current, voltage / frequency

(2) DIN 43650, 11 mm, industry standard B

Namur integral pilot versions for valve piloting	code (1)	power		(M)	connector	standard voltages (V)					
		~ VA	= W			AC (~) / 50Hz				DC (=)	
						24	48	115	230	24	48
3/2 NC - 5/2 - solenoid air operated - spring return (monostable function)*											
	SCG551A001MS	3,5	3	●	size 22 (2)	✓	✓	✓	✓	✓	✓
	SCG551A001			×			✓				
3/2 NC - 5/2 - solenoid air operated - solenoid air return (bistable)											
	SCG551A002MS	3,5	3	●	size 22 (2)	✓	✓	✓	✓	✓	✓

(M) Manual operator ● : with maintained manual operator

(1) When ordering, please specify in addition to the code: the type of current, voltage / frequency

(2) DIN 43650, 11 mm, industry standard B

* pilot air operated, spring return

ATEX - IECEx SOLENOID OPERATORS



Series PV
for potentially explosive atmospheres
ATEX zone 1-21
II 2G Ex mb IIC T5.. T3 Gb
II 2D Ex mb IIIC T100°C ..T200°C Db, IP67
encapsulated enclosure with integrated cable



Series WBLP
for potentially explosive atmospheres
ATEX zone 1-22
increased safety/encapsulation
II 2G Ex e mb IIC T4 Gb
II 2D Ex tb IIIC T135°C Db IP67
moulded enclosure




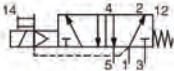

Series SG
for dust applications zone 22
II 3 D Ex tc IIIC T115°C Dc IP65X
II 3 D Ex tc IIIC T110°C Dc IP65X
moulded coils types with connectors




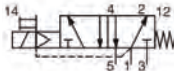
- Explosionproof operator, intended for use in potentially explosive atmospheres according to Directive ATEX 2014/34/EU
- Wide explosion proof solenoid offering
- Ingress protection degree IP67
- Compliance with the Essential Health and Safety Requirements has been assured by compliance with the International and European Standards EN-IEC 60079-0, EN-IEC 60079-7, EN-IEC 60079-18 and EN-IEC 60079-31

YOUR SELECTION

PV operator

integral pilot versions for valve piloting	code(1) Select 8 for NPT ANSI 1.20.3 or select G for ISO (228/1)	power		(M)	connec- tor	standard voltages (V)					
		~	=			AC (-) / 50Hz				DC (=)	
		VA	W			24	48	115	230	24	48
3/2 NC - Solenoid air pilot operated - spring return (monostable)											
	PVXG551A005MS	4	3	●	size 22 (2)	✓	✓	✓	✓	✓	✓
	PVXG551A005 ⁽³⁾	4	3	×		✓	✓	✓	✓	✓	✓
5/2 NC - Solenoid air pilot operated - spring return (monostable)											
	PVXG551A017MS	4	3	●	size 22 (2)	✓	✓	✓	✓	✓	✓
	PVXG551A017 ⁽³⁾	4	3	×		✓	✓	✓	✓	✓	✓
5/2 NC - Solenoid air pilot operated and return (bistable)											
	PVXG551A018MS	4	3	●	size 22 (2)	✓	✓	✓	✓	✓	✓
	PVXG551A018 ⁽³⁾	4	3	×		✓	✓	✓	✓	✓	✓

WBLP operator

integral pilot versions for valve piloting	code Select 8 for NPT ANSI 1.20.3 or select G for ISO G (228/1)	power level		(M)	connec- tor	standard voltages (V)					
		~	=			AC (-) / 50Hz				DC (=)	
		VA	W			24	48	115	230	24	48
3/2 NC - Solenoid air pilot operated - spring return (monostable)											
	WBLP8551A005MS	3,5	4	●	size 22 (2)	✓	✓	✓	✓	✓	✓
	WBLP8551A005 ⁽³⁾	3,5	4	×		✓	✓	✓	✓	✓	✓
5/2 NC - Solenoid air pilot operated - spring return (monostable)											
	WBLP8551A017MS	3,5	4	●	size 22 (2)	✓	✓	✓	✓	✓	✓
	WBLP8551A017 ⁽³⁾	3,5	4	×		✓	✓	✓	✓	✓	✓

(M) Manual operator ● : with maintained manual operator

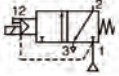
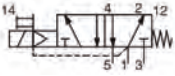
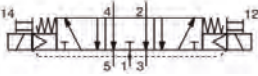
(1)When ordering, please specify in addition to the code: the type of current, voltage / frequency

(2)DIN 43650, 11 mm, industry standard B

(3)Certified IEC 61508 Functional Safety data, use suffix "SL".

SPOOL VALVES

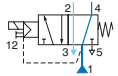
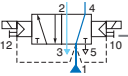
YOUR SELECTION

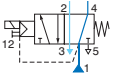
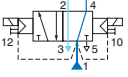
SG operator											
integral pilot versions for valve piloting	code(1)	power		(M)	connec- tor	standard voltages (V)					
		~ VA	= W			24	AC (~) / 50Hz 48	115	230	DC (=) 24	48
3/2 NC - Solenoid air pilot operated - spring return (monostable)											
	SGG551A005MS	17,1	11,6	●	size 22 (2)						✓
5/2 NC - Solenoid air pilot operated - spring return (monostable)											
	SGG551A017MS	17,1	11,6	●	size 22 (2)		✓	✓	✓	✓	
	SGG551A017	17,1	11,6	×						✓	✓
5/2 NC - Solenoid air pilot operated and return (bistable)											
	SGG551A018MS	17,1	11,6	●	size 22 (2)					✓	✓
5/3 - W3 - pressure release, solenoid air pilot operated and return											
	SGG551A068MS	17,1	11,6	●	size 22 (2)						✓

(M) Manual operator ● : with maintained manual operator

(1) When ordering, please specify in addition to the code: the type of current, voltage / frequency

(2) DIN 43650, 11 mm, industry standard B

PV operator											
Namur integral pilot versions for valve piloting	code (1)	power		(M)	connector	standard voltages (V)					
		~ VA	= W			24	AC (~) / 50Hz 48	115	230	DC (=) 24	48
3/2 NC - 5/2 - Solenoid air operated - spring return (monostable function)*											
	PVX8551A001MS	4	3	●	size 22 (2)		✓	✓	✓		
	PVX8551A001 ⁽³⁾	4	3	×				✓			✓
3/2 NC - 5/2 - Solenoid air pilot operated and return (bistable)											
	PVX8551A002MS	4	3	●	size 22 (2)	✓	✓	✓		✓	✓
	PVX8551A002 ⁽³⁾	4	3	×		✓	✓	✓	✓	✓	✓

WBLP operator											
Namur integral pilot versions for valve piloting	code (1)	power		(M)	connector	standard voltages (V)					
		~ VA	= W			24	AC (~) / 50Hz 48	115	230	DC (=) 24	48
3/2 NC - 5/2 - Solenoid air operated - spring return (monostable function)*											
	WBLP8551A001MS	3,5	4	●	size 22 (2)	✓	✓	✓	✓	✓	✓
	WBLP8551A001 ⁽³⁾	3,5	4	×		✓	✓	✓	✓	✓	✓
3/2 NC - 5/2 - Solenoid air pilot operated and return (bistable)											
	WBLP8551A002MS	3,5	4	●	size 22 (2)	✓	✓	✓	✓	✓	✓
	WBLP8551A002 ⁽³⁾	3,5	4	×		✓	✓	✓	✓	✓	✓

(M) Manual operator ● : with maintained manual operator

(1) When ordering, please specify in addition to the code: the type of current, voltage / frequency

(2) DIN 43650, 11 mm, industry standard B

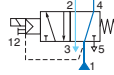
(3) Certified IEC 61508 Functional Safety data, use suffix "SL".

SPOOL VALVES

YOUR SELECTION

SG operator

Namur integral pilot versions for valve piloting	code (1) <small>Select 8 for NPT ANSI 1.20.3 or select G for ISO G (228/1)</small>	power		connector (M)	standard voltages (V)					
		~	=		AC (~) / 50Hz				DC (=)	
		VA	W		24	48	115	230	24	48
3/2 NC - 5/2 - solenoid air operated - spring return (monostable function)*										



SGG551A001MS

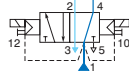
17,1

11,6

● size 22 (2)

✓

3/2 NC - 5/2 - solenoid air operated - solenoid air return (bistable)



SGG551A002MS

17,1

11,6

● size 22 (2)

✓

(M) Manual operator ● : with maintained manual operator

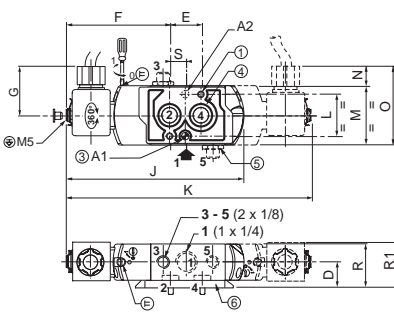
(1) When ordering, please specify in addition to the code: the type of current, voltage / frequency

(2) DIN 43650, 11 mm, industry standard B

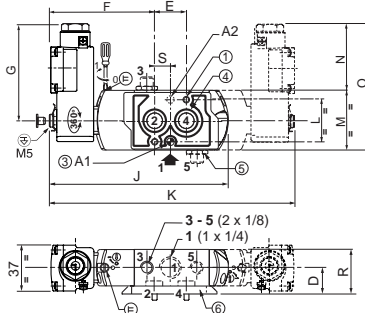
DIMENSIONS

551A001 / 551A002

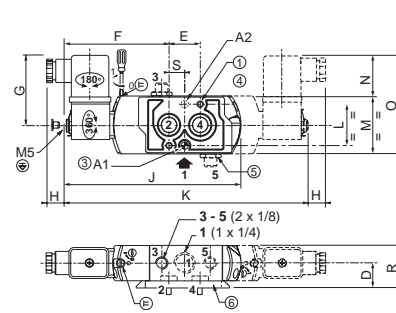
PV



WBLP



SG

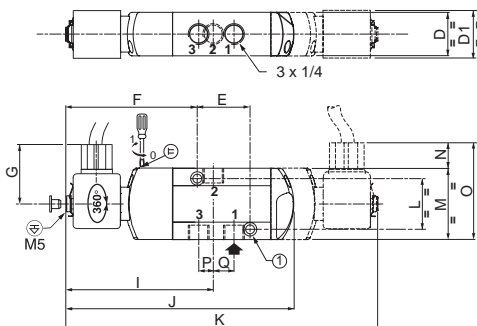


dimensions (mm)

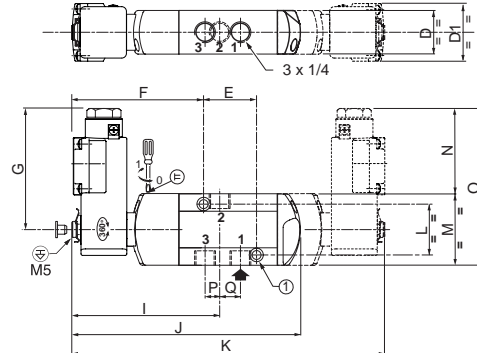
type	D	E	F	G	H	J	K	L	M	N	O	P	Q	R	R1	S
SC	19	24	83	52	13	139	192	32	45	27	72	-	-	33	-	12
PV	19	24	83	36,5	-	139	192	32	45	13	58	-	-	33	36,5	12
WBLP	19	24	83	81,5	-	139	192	32	45	59	104	-	-	33	36,5	12

551A005

PV



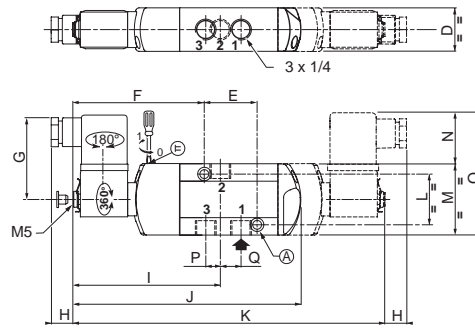
WBLP



SPOOL VALVES

DIMENSIONS

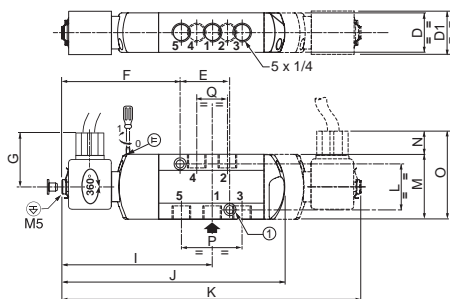
SG



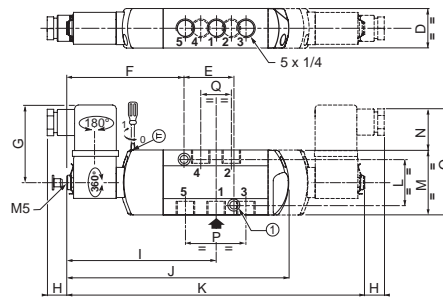
		dimensions (mm)													
type	D	D1	E	F	G	H	I	J	K	L	M	N	O	P	Q
SC	27,5	-	33	83,5	52	13	93,5	145	198	32	45	27	72	9,5	12
PV	27,5	29	33	83,5	36,5	13	93,5	145	198	32	45	13	58	9,5	12
WBLP	27,5	37	33	83,5	81,5	-	93,5	145	198	32	45	59	104	9,5	12

551A017 / 551A018

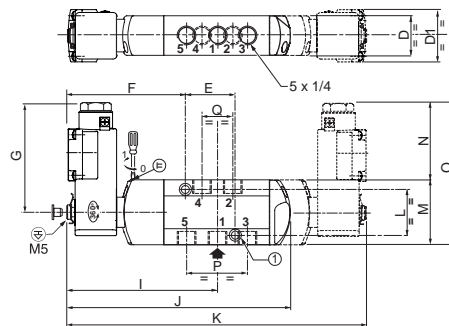
PV



SG



WBLP



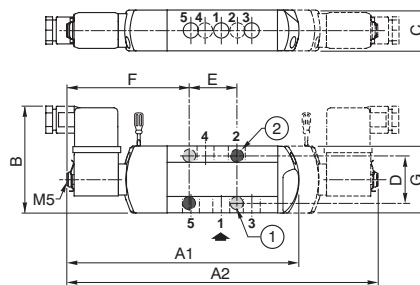
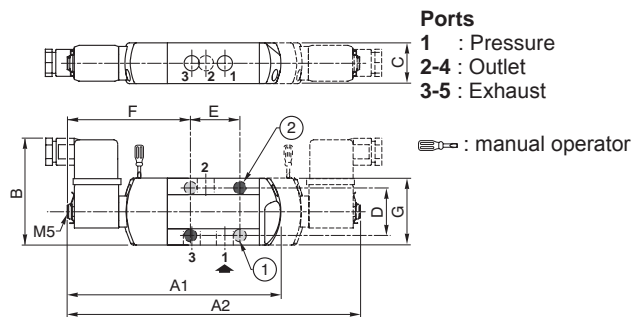
		dimensions (mm)													
type	D	D1	E	F	G	H	I	J	K	L	M	N	O	P	Q
SC	27,5	-	32	82,5	52	13	105,5	157	210	32	45	27	72	9,5	12
PV	27,5	29	32	82,5	36,5	13	104,5	157	210	32	45	13	58	9,5	12
WBLP	27,5	37	32	82,5	81,5	-	104,5	157	210	32	45	59	104	9,5	12

SPOOL VALVES

DIMENSIONS

3/2 NC spool valves - solenoid air operated integrated pilots

5/2 - 5/3 spool valves - solenoid air operated integrated pilots



code

	A1	B	C	D	E	F	G
SCG551A005MS	145	72	27,5	32	33	83,5	45

code

dimensions (mm)

	A1/017	A2/018/067	B	C	D	E	F	G
SCG551A017/018/067MS	157	210	72	27,5	32	32	82,5	45

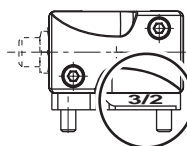
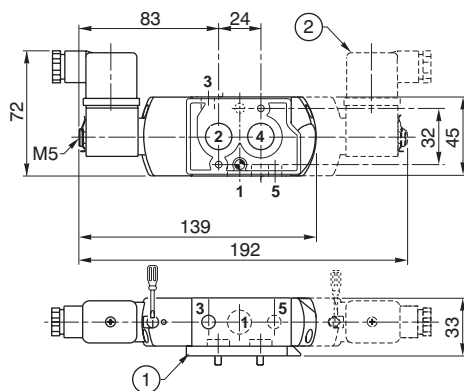
2 mounting holes:

- ① 5,3 mm dia. (Spotfacing: 9 mm dia., depth 5 mm) (series 551)

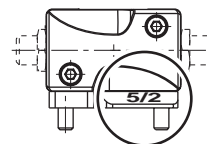
3/2 NC - 5/2 Namur spool valves - solenoid air operated

Ports
1 : Pressure
2-4 : Outlet
3-5 : Exhaust

- ① Interface plate
 ② bistable function
 ☞ : manual operator



3/2 NC
 adapt the plate 3/2 under the spool valve



5/2
 adapt the plate 5/2 under the spool valve

OPTIONS AND ACCESSORIES

Stainless steel exhaust protector
 G 1/4 - code : **34600419**



Batch of 2 exhaust
 reducers G 1/8

code : **88100344**



Mounting brackets
 (see page 83-85)



replacement coils
 (see page 119)



AIR CYLINDERS

short stroke cylinders
single acting / double acting
Series 441



pages 34 1

standardised round cylinders
ISO 6431/ISO 6432
double acting
Series 435 / 438



pages 36 2-3

compact cylinders, standardised to ISO 21287
compatibility for assembly
ISO 15552 mountings
double acting - Series 449



pages 40 4-5

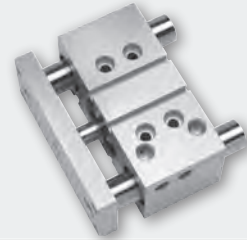
cylinders with profiled barrel / tie rods
standardised to ISO 15552
double acting
Series 453-450-492

profiled barrel tie rods



pages 42 6-7

Guide cylinders
double acting
Series CGT



pages 54 8

YOUR SELECTION

standards				Ø cylinder (mm)																max. stroke (mm)	detection		cushioning		construction				visual	series	page
ISO 15552	ISO 6431	ISO 6432	ISO 21287	8	12	16	20	25	32	40	50	63	80	100	125	160	200	yes	no		elastic	adjustable pneumatic	cylindrical	profiled barrel	tie rods	bearings					
single acting																															
				●	●	●	●	●	●	●	●	●	●	●	●			25	●				●				1	441	34		
double acting																															
				●	●	●	●	●	●	●	●	●	●	●	●			100	●				●				1	441	34		
		●		●	●	●	●											160	●		●	●					2	435	36		
		●					●	●										160	●		●	●					3	438	37		
●(1)			●				●	●	●	●	●	●	●	●				500	●		●	●					3	438	37		
●							●	●	●	●	●	●	●	●				400	●		●		●				4	449	40		
●							●	●	●	●	●	●	●	●				1000	●		●		●				5	453	42		
●							●	●	●	●	●	●	●	●	●	●	●	1000	●		●			●			7	450	43		
					●	●	●	●	●	●	●	●						75	●		●				●		8	CGT	54		

(1) Compatible with ISO 15552 (compact cylinders, 449 series)

SHORT STROKE CYLINDERS

441 series

SINGLE AND DOUBLE ACTING

Ø 8 to 100 mm

equipped for magnetic position detectors



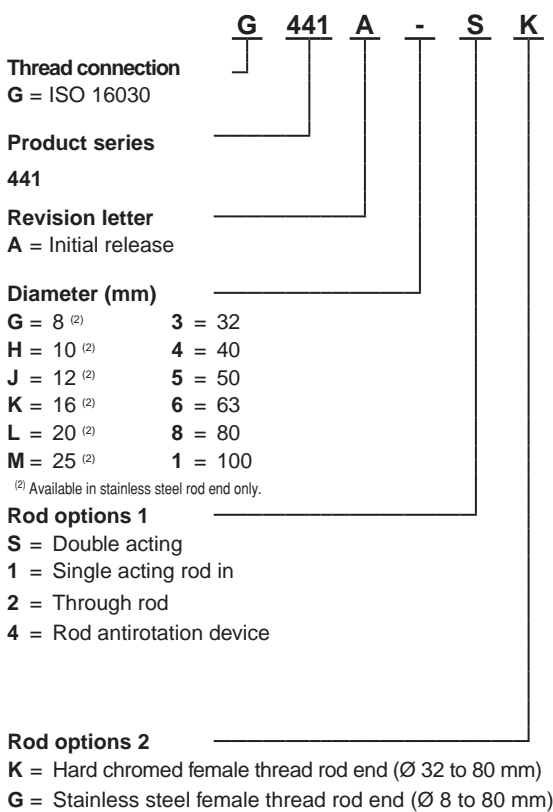
Fluid	air or neutral gas, filtered, lubricated or not
Operating pressure	max. 10 bar
Temperature	-20°C to +70°C
Barrel	light alloy
Rod	stainless steel or chrome-plated
Piston seals	PUR (polyurethane)
Cushioning	not cushioned
Connection	M5 (Ø 8 - 25 mm) G1/8 (Ø 32 - 100 mm)

- Complete, robust and compact range of short stroke cylinders
- Wide range of options
- Equipped for magnetic position detectors

YOUR SELECTION

[Configurator - CAD Files](#) - **In 3D**

15-DIGIT PRODUCT CODE



Options

- A00** = Without option
- AT1** = ATEX 1/21 zones
- AT2** = ATEX 2/22 zones
- HTP** = High Temperature⁽¹⁾

⁽¹⁾ Non equipped for magnetic position detectors

Recommended standard strokes (mm)⁽³⁾

Ø mm	connect. Ø	5	10	15	20	25	30	40	50	60	80	100	max. stroke	max. stroke
8	M5	SD	SD	D	D	D	D						30	-
10		SD	SD	D	D	D	D						30	-
12		SD	SD	D	D	D	D	D					40	-
16		SD	SD	SD	SD	SD	D	D					40	-
20		SD	SD	SD	SD	SD	D	D	D		D		60	60
25		SD	SD	SD	SD	SD	D	D	D		D		60	60
32	G1/8	SD	SD	SD	SD	SD	D	D	D	D	D		100	100
40		SD	SD	SD	SD	SD	D	D	D	D	D		120	100
50		SD	SD	SD	SD	SD	D	D	D	D	D		150	100
63		SD	SD	SD	SD	SD	D	D	D	D	D		150	100
80		SD	SD	SD	SD	SD	D	D	D	D	D		150	100
100		SD	SD	SD	SD	SD	D	D	D	D	D		150	100

■ Please note strokes marked in grey exceed the maximum recommended.

⁽³⁾ Other strokes on request. / Min. stroke: 5 mm

D = Double acting only / SD = Single & Double acting

OPTIONS AND ACCESSORIES

Position detectors
(see page 56)



Flow regulators
(see page 114)



Other strokes
Other diameters
(100 mm)

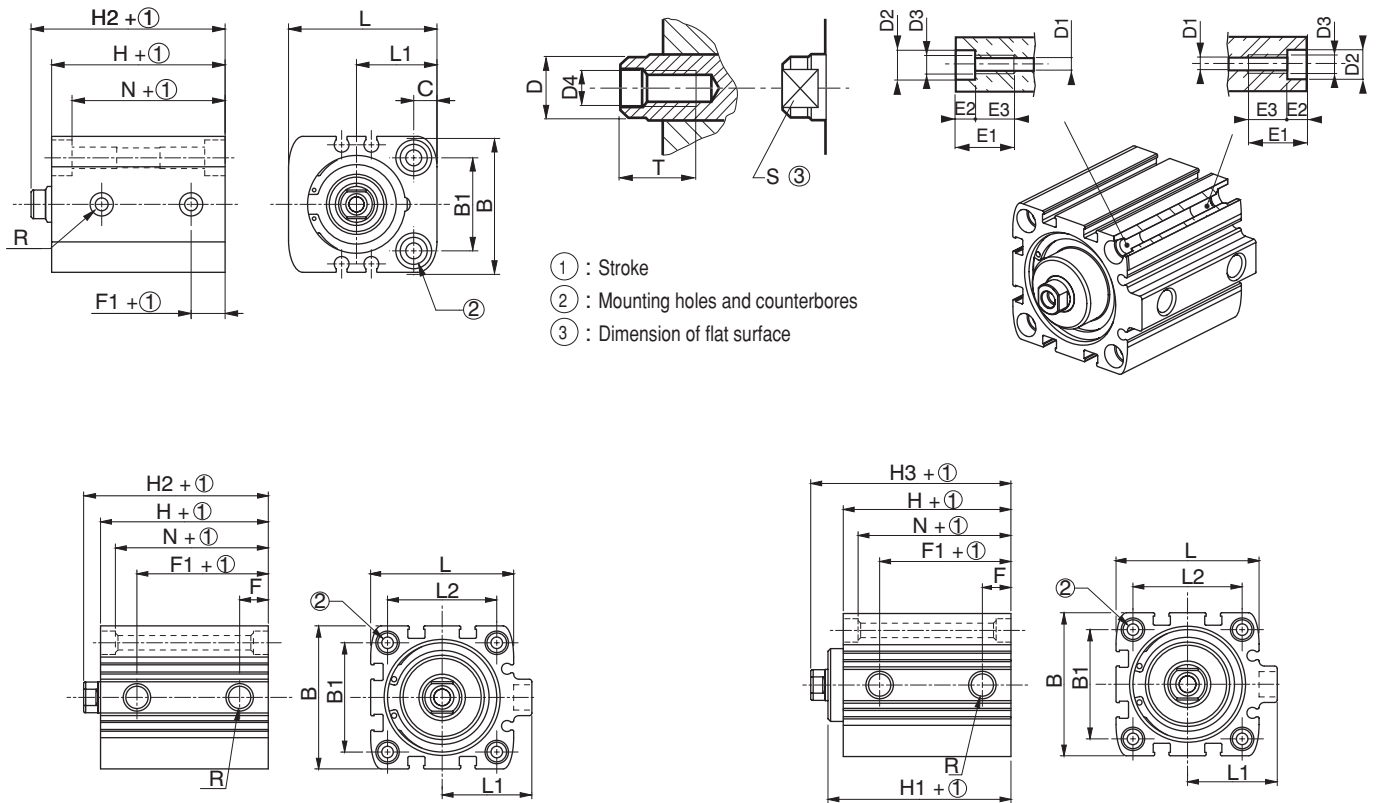
Hollow through rod version



SHORT STROKE CYLINDERS - 441 SERIES

DIMENSIONS

Wide range of mounting options



ROUND CYLINDERS

435 series

DOUBLE ACTING Ø 8 to 25 mm

ISO 6432

equipped for magnetic position detectors



Fluid	Air or inert gas, filtered, lubricated or not
Operating pressure	max. 10 bar
Temperature	-20°C to +70°C
Barrel	stainless steel
Rod	stainless steel
Piston seals	PUR (polyurethane)
Cushioning	refer to selection table
Standardisation	ISO 6432
Connection	M5 (Ø 8 to 16 mm) - G1/8 (Ø 20 to 25 mm)

- Excellent resistance to corrosive media
- Double acting with or without pneumatic cushioning
- Compact threaded mount for direct attachment

YOUR SELECTION

[Configurator - CAD Files](#) - **In 3D**

15-DIGIT PRODUCT CODE

G **435** **A** **-** **S** **N** **----** **A00**

Thread connection
G = ISO 16030

Product series
435

Revision letter
A = Initial release

Diameter (mm)
G = 8
H = 10
J = 12
K = 16
L = 20
M = 25

Rod options 1
S = Double acting
1 = Single acting rod in
2 = Through rod
3 = Single acting rod out ⁽¹⁾

⁽¹⁾ Available in bore size: 12, 16, 20 and 25

Rod options 2
N = Stainless steel male thread rod end + rod nut

Options

A00 = Without option

CSH = With adjustable pneumatic cushioning ⁽²⁾

⁽²⁾ Available in bore size: 16, 20 and 25 (double acting only)

Recommended standard strokes (mm) ⁽⁴⁾

Ø mm	connect. Ø	connect.						max. stroke
		25	50	80	100	125	160	
8	M5	SD	SD	D	D			400
10	M5	SD	SD	D	D			400
12	M5	SDO	SDO	D	D			400
16	M5	SDO	SDO	D	D			400
20	G1/8	SDO	SDO	D	D	D	D	400
25	G1/8	SDO	SDO	D	D	D	D	400

Please note strokes marked in grey exceed the maximum recommended.

⁽⁴⁾ Other strokes on request.

D = Double acting only / SD = Single & Double acting

SDO = Single acting rod in + Single acting rod out + Double acting

OPTIONS AND ACCESSORIES

Standardised mountings
(see page 39)



Position detectors and mounting kits
(see page 56)



ROUND CYLINDERS

438 series

DOUBLE ACTING Ø 32 to 63 mm

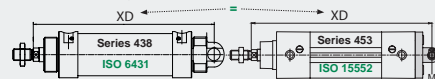
ISO 6431

equipped for magnetic position detectors



Fluid	Air or inert gas, filtered, lubricated or not
Operating pressure	max. 10 bar
Temperature	-10°C to +70°C
Barrel	aluminium alloy
Rod	chrome plated steel
Piston seals	PUR (polyurethane)
Cushioning	refer to selection table
Standardisation	ISO 6431
Connection	G1/8 (Ø 32 mm) G1/4 (Ø 40-50 mm) - G3/8 (Ø 63 mm)

- Complies with ISO6431, interchangeable with ISO 15552 cylinders assembled with a rear trunnion mounting
- Wide range of mounting options
- Equipped for magnetic position detectors

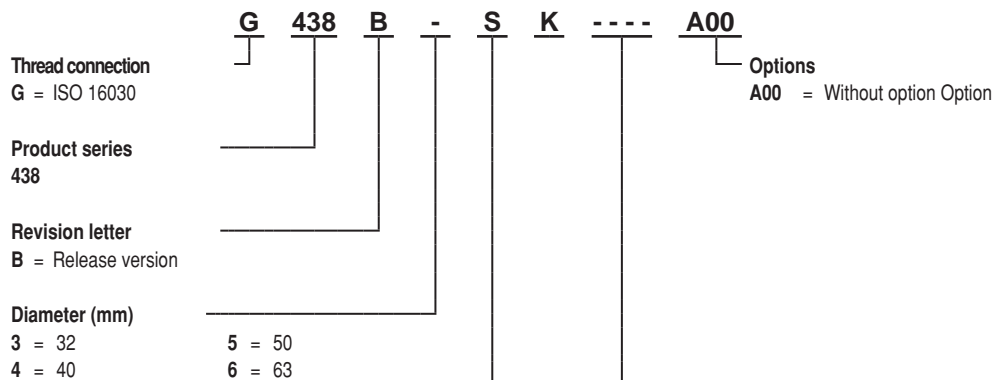


XD dimension (distance between the beginning of the rod thread and the center of the trunnion) is identical on ISO 6431 and ISO 15552 cylinders equipped with an MP4.

YOUR SELECTION

[Configurator - CAD Files](#) - *In 3D*

15-DIGIT PRODUCT CODE



Rod options 1

- S = Double acting
- 1 = Single acting rod in ⁽¹⁾
- 2 = Double acting, through rod, Cushioned
- 3 = Double acting Stainless steel rod, Cushioned
- 4 = Double acting Stainless steel through rod, Cushioned
- 5 = Single acting Stainless Steel, Rod In

⁽¹⁾ Single acting cylinders have no pneumatic cushion.

All cylinders delivered with rod nut, in stainless steel for options 3, 4 and 5.

Recommended standard strokes (mm)⁽²⁾

Ø mm	connect										max stroke			
	Ø	25	50	80	100	125	160	200	250	320	400	500	S	D
32	G1/8	SD	SD	D	D	D	D	D	D				50	1000
40	G1/4	SD	SD	D	D	D	D	D	D	D	D		50	1000
50	G1/4	SD	SD	D	D	D	D	D	D	D	D		50	1000
63	G3/8	SD	SD	D	D	D	D	D	D	D	D	D	50	1000

Please note strokes marked in grey exceed the maximum recommended.

⁽²⁾ Other strokes on request.

D = Double acting only / SD = Single & Double acting

OPTIONS AND ACCESSORIES

Standardised mountings
(see page 39)



Position detectors and mounting kits
(see page 56)



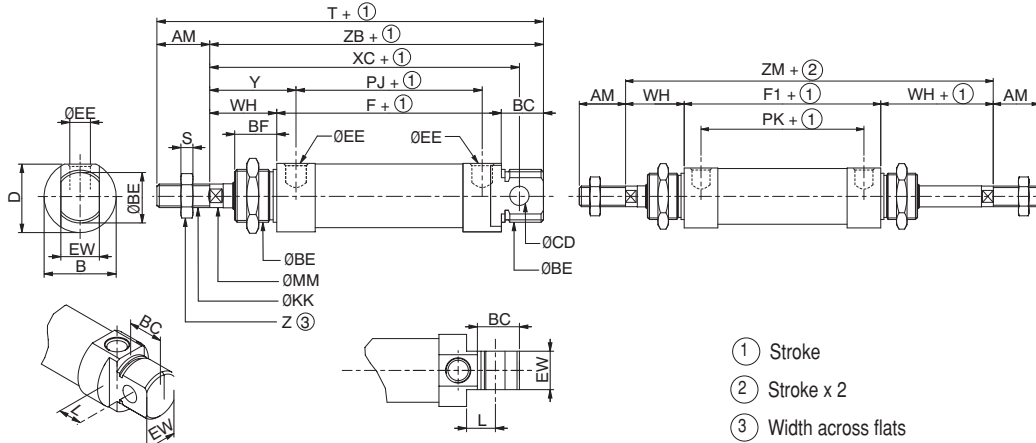
ROUND CYLINDERS - 435 and 438 series

DIMENSIONS

Cylinders Ø 8 to 25 mm (bare cylinder supplied with neck nut) series 435

Single-rod type cylinders

Through-rod type cylinders



Ø	AM	B	BC	ØBE	BF	ØCD	D	ØEE	EW	F	F1	ØKK	L	MM	PJ	PK	S	T	WH	XC	Y
12	16	19	14	M16x1,5	14	6 H 11	18	M5	12 d 11	48,5	48,5	M6x1	9	6	34,5	34,5	3	100,3	22	75	29
16	16	19	14	M16x1,5	14	6 H 11	18	M5	12 d 11	55	55	M6x1	9	6	41,5	41,5	3	107	22	82	28,5
20	20	27	17,5	M22x1,5	17,5	8 H 11	25,4	G 1/8	16 d 11	63,5	63,5	M8x1,25	12	8	47,3	47,3	4	125	24	95	32
25	22	30	17,5	M22x1,5	17,5	8 H 11	28,5	G 1/8	16 d 11	68,5	68,5	M10x1,25	12	10	52,5	52,5	5	136	28	104	36

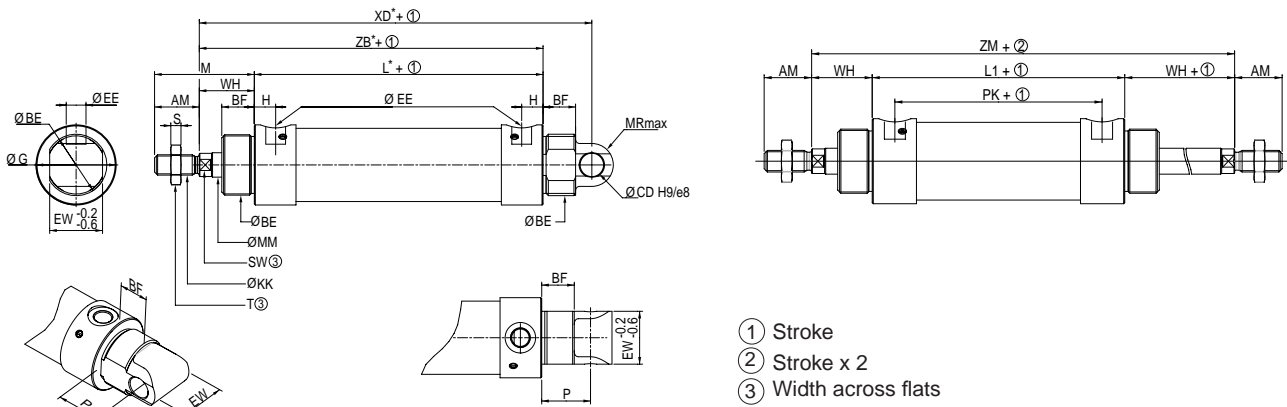
Ø	Z	ZB	ZM
12	10	84,5	82,5
16	10	91	99
20	13	105	111,5
25	17	114	124,5

NOTE:
- The mountings are always delivered separately (see page 39 and 44)

Cylinders Ø 32 to 63 mm (bare cylinder supplied without neck nut) series 438

Single-rod type cylinders

Through-rod type cylinders



Double acting cushioning length:
Ø32 mm = 16 mm / Ø40 mm = 20 mm
Ø50 mm = 26 mm / Ø63 mm = 30 mm

Ø	AM	ØBE	BF	ØCD	ØEE	EW	ØG	H	ØKK	L*	L1	M	ØMM	MR	P	PK	S	SW
32	22	M 30 x1,5	16	10	G 1/8	26	39,4	10,5	M10 x 1,25	92	92	49	12	10,5	24	71	5	10
40	24	M 36 x1,5	19	12	G 1/4	28	46,5	12,5	M12 x 1,25	107	108	53	16	13	24,3	81	6	13
50	32	M 45 x1,5	23,5/18,5	12	G 1/4	32	56,8	12,8	M16 x 1,50	110	110	67	20	13	25,5	84,5	8	16
63	32	M 45 x1,5	23	16	G 3/8	40	70	16,5	M16 x 1,50	125	125	67	20	17	31	92	8	16

Ø	SW	T	WH	XD*	ZB*	ZM
32	10	17	27	143	119	147
40	13	19	29	160	136	167
50	17	24	35	170	145	181
63	17	24	35	191	160	196

* Single acting cylinders dimension:
- stroke 25 = Double acting
- stroke 50 = Double acting + 25 mm

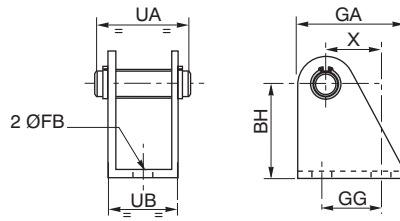
ROUND CYLINDERS - 435 and 438 series

YOUR SELECTION (MOUNTINGS supplied with mounting screws)

Rear trunnion



Ø mm	
12-16	P493AJ42C000A00
20-25	P493AL42C000A00

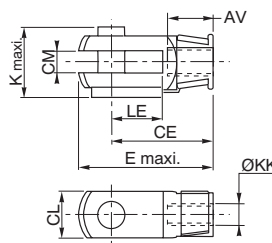


Ø mm	BH	FB	GA	GG	UA	UB	X
12-16	27	5,5	25	16	25	18	13,5
20-25	30	6,6	32	20	32	24	16

Female rod clevis (ISO 8140 - RP 102P) AP2



Ø mm	
12-16	P493AJ431000A00
20	P493AL431000A00
25-32	P493A3131000A00
40	P493A4131000A00
50-63	P493A5131000A00

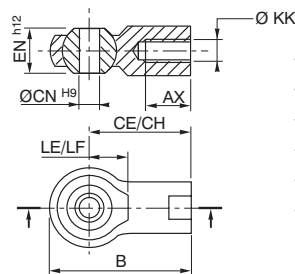


Ø mm	AV	CE	CM	E	K	KK	LE CL
12-16	12	24	6	33,5	16,5	M6	12
20	16	32	8	45	22	M8	16
25-32	20	40	10	56	26	M10	20
40	22	48	12	67	32	M12	24
50-63	28	64	16	89	41	M16	32

Spherical rod end (ISO 8139 - RP 103P) AP6



Ø mm	
12-16	P493AJ432000A00
20	P493AL432000A00
25-32	P493A3132000A00
40	P493A4132000A00
50-63	P493A5132000A00



Ø mm	AX	B	CE CH	CN	EN	KK	LE LF
12-16	12	40	30	6	9	M6	11
20	16	48	36	8	12	M8	13
25-32	20	57	43	10	14	M10	15
40	22	66	50	12	16	M12	17
50-63	28	85	64	16	21	M16	22

COMPACT CYLINDERS

449 series

DOUBLE ACTING, Ø 20 to 100 mm
compatible with ISO 21287
equipped for magnetic position detectors



Fluid	air or neutral gas, filtered, lubricated or not
Operating pressure	max. 10 bar
Temperature	-20°C to +70°C
Max. allowable speed	0,5 m/s
Barrel	anodised aluminium alloy
Rod	Ø20-25: stainless steel, Ø32-100: chrome plated steel
Piston seals	PUR (polyurethane)
Cushioning	elastic
Standardisation	compatibility for assembly with standardised mountings Ø20-100: ISO 21287 Ø32-100: ISO 15552
Connection	M5 (Ø 20 - 25 mm) G1/8 (Ø 32 - 100 mm)

- Compact ISO 21287 cylinders with profiled tube featuring grooves for sensors in 3 sides
- Precise rod guiding with self lubricating bearing
- Version with anti-corrosion treated covers and high quality rod seals for food industry applications
- Wide choice of mountings and accessories

YOUR SELECTION

[Configurator - CAD Files](#) - In 3D

15-DIGIT PRODUCT CODE

G 449 A - S K - - - - A00

Thread connection
G = ISO 16030

Product series
449

Revision letter
A = Initial release

Diameter (mm)
L = 20⁽³⁾ 5 = 50
M = 25⁽³⁾ 6 = 63
3 = 32 8 = 80
4 = 40 1 = 100

⁽³⁾ Available in stainless steel rod end only.

Rod options 1

S = Double acting
1 = Single acting rod in
3 = Single acting rod out

Rod options 2 ⁽⁴⁾

K = Hard chromed female thread rod end
M = Hard chromed male thread rod end
G = Stainless steel female thread rod end
N = Stainless steel male thread rod end

⁽⁴⁾ K and M = No use with the 20/25 mm diameters.

Stainless steel male thread rod nuts delivered with Rod option N.

Options

A00 = Without option
MT4 = Non fixed centre trunnion (MT4 axis)
MS4 = Non fixed centre trunnion (MT4 axis parallel to the ports)^{(1) (2)}

⁽¹⁾ For fixed supplied centre trunnion, consult our Dynamic Product Modeling Tool on www.asco.com and indicate XV dimension.

⁽²⁾ Ø32 to 100 mm only

Recommended standard strokes (mm) ⁽⁵⁾

Ø mm	connect. Ø	5	10	15	20	25	50	80	100	max. stroke
20	M5	SD	SD	SD	D	D	D			60
25		SD	SD	SD	SD	D	D			60
32	G1/8	SD	SD	SD	SD	SD	D	D		400
40		SD	SD	SD	SD	SD	D	D	D	400
50		SD	SD	SD	SD	SD	D	D	D	400
60		SD	SD	SD	SD	SD	D	D	D	400
80		SD	SD	SD	SD	SD	D	D	D	400
100		SD	SD	SD	SD	SD	D	D	D	400

Please note strokes marked in grey exceed the maximum recommended.

⁽⁵⁾ Other strokes on request / Min. stroke: 5 mm

D = Double acting only / SD = Single & Double acting

OPTIONS AND ACCESSORIES

Standardised mountings
(see page 44)



Position detectors
(see page 56)



Flow regulators
(see page 114)



Other strokes
Other diameters

Versions with hollow
through rod, threaded end
of the rod

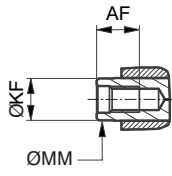


COMPACT CYLINDERS - 449 series

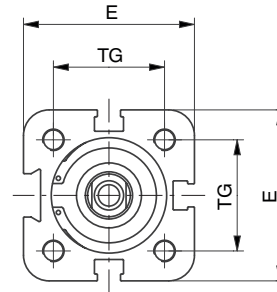
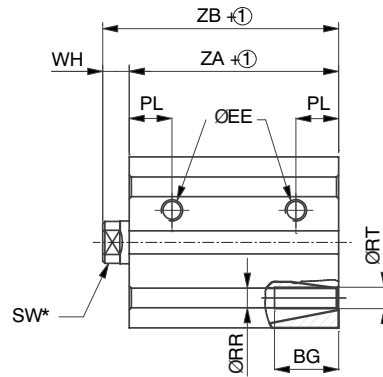
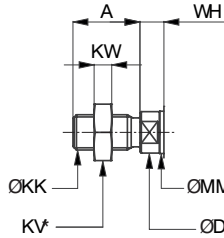
DIMENSIONS

Single-Rod type cylinder Ø 20-25 mm

threaded rod end



threaded rod end

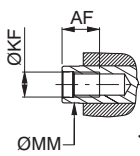


① Stroke

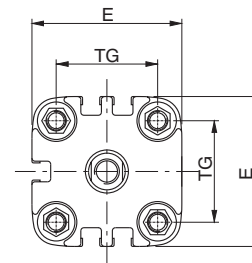
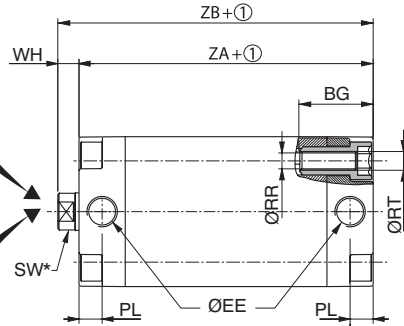
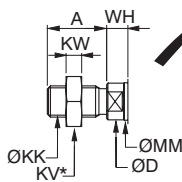
* Width across flats

Single-Rod type cylinder Ø 32-100 mm

threaded rod end



threaded rod end



① Stroke

* Width across flats

Ø	A	AF	BG	ØD	E	EE	ØKF	ØKK	KV	KW	ØMM	PL	ØRR	ØRT	SW	TG	WH	ZA	ZB
20	16	10	15	9,8	36	M5	M6	M8x1,25	13	4	10	10	4,2	M5	8	22	6	37	43
25	16	10	15	9,8	40	M5	M6	M8x1,25	13	4	10	10	4,2	M5	8	26	6	39	45
32	19	12	23,5	11,8	48	G 1/8	M8	M10x1,25	16	5	12	7,5	7,0	M6	10	32,5	7	44	51
40	19	12	23,5	11,8	54	G 1/8	M8	M10x1,25	16	5	12	7,5	5,1	M6	10	38	7	45	52
50	22	16	24	15,8	66	G 1/8	M10	M12x1,25	18	6	16	7,5	6,7	M8	13	46,5	8	45	53
63	22	16	24	15,8	78	G 1/8	M10	M12x1,25	18	6	16	7,5	6,7	M8	13	56,5	8	49	57
80	28	20	28,5	19,8	96	G 1/8	M12	M16x1,50	24	8	20	8,5	8,4	M10	16	72	10	54	64
100	28	20	28,5	24,8	115	G 1/8	M12	M16x1,50	24	8	25	10	8,4	M10	21	89	10	67	77

CYLINDERS WITH PROFILED BARREL AND TIE RODS

453 series

DOUBLE ACTING, Ø 32 to 100 mm

ISO 15552

equipped for magnetic position detectors



Fluid	air or neutral gas, filtered, lubricated or not
Operating pressure	10 bar [8 bar: Dynamic rod-locking device]
Allowable temperature	-20°C to +70°C (contact us if this limit is exceeded)
Max. allowable speed	2 m/s
Barrel	treated aluminium alloy
Rod	hard chrome plated steel
Piston seals	PUR (polyurethane)
Cushioning	adjustable pneumatic
Standardisation	ISO 15552
Connection	G1/8 (Ø 32mm) - G1/4 (Ø40 - 50mm) G3/8 (Ø63 - 80mm) - G1/2 (Ø 100mm)

- Competitive interchangeability with ISO 15552 standard cylinders
- Rod Lock compatible
- Aesthetically pleasing profile rail design for clean and corrosion resistant actuation
- Easy fitting capabilities with a wide range of standard fittings and rod ends
- Precise captive cushion adjustment
- Equipped for magnetic position detectors

YOUR SELECTION

[Configurator - CAD Files](#) - **In 3D**

15-DIGIT PRODUCT CODE

G 453 A - S K - - - - A00

Thread connection
G = ISO 16030

Product series
453

Revision letter
A = Initial release

Diameter (mm)

- 3 = 32
- 4 = 40
- 5 = 50
- 6 = 63
- 8 = 80
- 1 = 100

Rod options 1

- S = Chromed single rod
 - 2 = Through rod
 - 3 = AISI 303 stainless steel rod
 - 4 = AISI 303 stainless steel through rod
- AISI 303 stainless steel through rod and 4.

Rod options 2

- K = No Option
 - 5 = Dynamic rod-locking device
- Extended piston rod, consult us
AISI 303 stainless steel through rod

Options

- A00 = Without option
- MT4 = Non fixed centre trunnion (MT4 axis perpendicular to the ports)⁽¹⁾
- MS4 = Non fixed centre trunnion (MT4 axis parallel to the ports)⁽¹⁾
- UCG = Plain bearing "U" guiding unit
- HCG = Plain bearing "H" guiding unit
- HBG = Ball bearing "H" guiding unit



⁽¹⁾ For fixed supplied centre trunnion, consult our Dynamic Product Modeling Tool on www.asco.com and indicate XV dimension.

Recommended standard strokes (mm)⁽²⁾

Ø mm	connect. Ø	25	50	80	100	125	160	200	250	320	400	500	630	700	800	900	1000	max. stroke
32	G1/8	●	●	●	●	●	●	●	●	●	●	●	●	●	●	●	●	2000
40	G1/4	●	●	●	●	●	●	●	●	●	●	●	●	●	●	●	●	2000
50	G1/4	●	●	●	●	●	●	●	●	●	●	●	●	●	●	●	●	2000
63	G3/8	●	●	●	●	●	●	●	●	●	●	●	●	●	●	●	●	2000
80	G3/8	●	●	●	●	●	●	●	●	●	●	●	●	●	●	●	●	2000
100	G1/2	●	●	●	●	●	●	●	●	●	●	●	●	●	●	●	●	2000

Please note strokes marked in grey exceed the maximum recommended.

⁽²⁾Other strokes on request/ Min. stroke: 5 mm.

OPTIONS AND ACCESSORIES

Standardised mountings (see page 44)



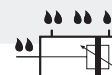
Position detectors and mounting kits (see page 56)



Flow regulators (see page 114)



High temperature versions, aggressive environments



CYLINDERS Tie rods

450 series

Ø 32 to 200 mm

ISO 15552

equipped for magnetic position detectors



Fluid	air or neutral gas, filtered, lubricated or not
Operating pressure	10 bar [8 bar: Dynamic rod-locking device]
Allowable temperature	-20°C to +70°C (contact us if this limit is exceeded)
Max. allowable speed	2 m/s
Barrel	treated aluminium alloy
Rod	hard chrome plated steel
Piston seals	PUR (polyurethane)
Cushioning	adjustable pneumatic
Standardisation	ISO 15552
Connection	G1/8 (Ø 32mm) - G1/4 (Ø40 - 50mm) G3/8 (Ø63 - 80mm) - G1/2 (Ø 125mm) G3/8 (Ø160 - 200mm)

- Competitive interchangeability with ISO 15552 standard cylinders
- Rod Lock compatible
- Easy fitting capabilities with a wide range of standard fittings and rod ends
- Equipped for magnetic position detectors

YOUR SELECTION

[Configurator - CAD Files - In 3D](#)

15-DIGIT PRODUCT CODE

G 450 A - K - - - A00

Thread connection
G = ISO 16030

Product series
450

Revision letter
A = Initial release

Diameter (mm)

3 = 32
4 = 40
5 = 50
6 = 63
8 = 80
1 = 100

Rod options 1

1 = Chromed single rod
2 = Through rod
3 = AISI 303 stainless steel rod
4 = AISI 303 stainless steel through rod

All cylinders delivered with rod nut, in stainless steel for options 3 and 4.

Rod options 2

K = No option
5 = Dynamic rod-locking device
Extended piston rod, consult us

Options

A00 = Without option Option
UCG = Plain bearing "U" guiding unit
HCG = Plain bearing "H" guiding unit
HBG = Ball bearing "H" guiding unit
MMT = With non groved profiled tube

Recommended standard strokes (mm)⁽¹⁾

Ø mm	connect. Ø	25	50	80	100	125	160	200	250	320	400	500	630	700	800	900	1000	max stroke
32	G1/8	●	●	●	●	●	●	●	●	●	●	●	●	●	●	●	●	2000
40	G1/4	●	●	●	●	●	●	●	●	●	●	●	●	●	●	●	●	2000
50	G1/4	●	●	●	●	●	●	●	●	●	●	●	●	●	●	●	●	2000
63	G3/8	●	●	●	●	●	●	●	●	●	●	●	●	●	●	●	●	2000
80	G3/8	●	●	●	●	●	●	●	●	●	●	●	●	●	●	●	●	2000
100	G1/2	●	●	●	●	●	●	●	●	●	●	●	●	●	●	●	●	2000
125	G1/2	●	●	●	●	●	●	●	●	●	●	●	●	●	●	●	●	2000
160	G3/4	●	●	●	●	●	●	●	●	●	●	●	●	●	●	●	●	2000
200	G3/4	●	●	●	●	●	●	●	●	●	●	●	●	●	●	●	●	2000

Please note strokes marked in grey exceed the maximum recommended.

(1) Other strokes on request.

OPTIONS AND ACCESSORIES

Standardised mountings
(see page 44)



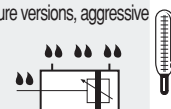
Position detectors and mounting kits
(see page 56)



Flow regulators
(see page 114)



High temperature versions, aggressive environments

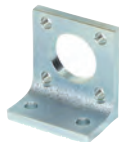


ISO 15552 STANDARDISED MOUNTINGS

YOUR SELECTION (MOUNTINGS supplied with mounting screws)

High foot MS3 (per unit)

Ø mm	light alloy
32	P493A3125100A00
40	P493A4125100A00
50	P493A5125100A00
63	P493A6125100A00
80	P493A8125100A00
100	P493A1125100A00



Cap, detachable clevis MP2

Ø mm	light alloy
32	P493A3121110A00
40	P493A4121110A00
50	P493A5121110A00
63	P493A6121110A00
80	P493A8121110A00
100	P493A1121110A00



Centre trunnion MT4 (cylinders with profiled barrel 453 - 449 series)

Ø mm	cast iron delivered separately	Support for centre trunnion aluminium AT4
32	P493B3111000A00	P493A3112100A00
40	P493A4111000A00	P493A4112100A00
50	P493A5111000A00	P493A4112100A00
63	P493A6111000A00	P493A6112100A00
80	P493A8111000A00	P493A6112100A00
100	P493A1111000A00	P493A1112100A00



Cap, detachable eye MP4

Ø mm	light alloy
32	P493A3122100A00
40	P493A4122100A00
50	P493A5122100A00
63	P493A6122100A00
80	P493A8122100A00
100	P493A1122100A00



Angular clevis bracket spherical bearing (5) AB5

Ø mm	Forged Steel
32	P493A3127000A00
40	P493A4127000A00
50	P493A5127000A00
63	P493A6127000A00
80	P493A8127000A00
100	P493A1127000A00
125	P493AP127000A00



Angular clevis bracket AB7

Ø mm	light alloy
32	P493A3123110A00
40	P493A4123110A00
50	P493A5123110A00
63	P493A6123110A00
80	P493A8123110A00
100	P493A1123110A00



Female rod clevis AP2

Ø mm	453 / 450 series steel	449 series steel
32	P493A3131000A00	P493A3131000A00
40	P493A4131000A00	P493A3131000A00
50	P493A5131000A00	P493A4131000A00
63	P493A5131000A00	P493A4131000A00
80	P493A8131000A00	P493A5131000A00
100	P493A8131000A00	P493A5131000A00
125	P493AP131000A00	
160	P493AQ131000A00	
200	P493AQ131000A00	



Cap clevis for spherical eye or clevis bracket AB6

Ø mm	steel
32	P493A3129000A00
40	P493A4129000A00
50	P493A5129000A00
63	P493A6129000A00
80	P493A8129000A00
100	P493A1129000A00



Spherical rod end AP6

Ø mm	453 / 450 series steel	449 series steel
32	P493A3132000A00	P493A3132000A00
40	P493A4132000A00	P493A3132000A00
50	P493A5132000A00	P493A4132000A00
63	P493A5132000A00	P493A4132000A00
80	P493A8132000A00	P493A5132000A00
100	P493A8132000A00	P493A5132000A00
125	P493AP132000A00	
160	P493AQ132000A00	
200	P493AQ132000A00	



Cap eye with spherical bearing MP6

Ø mm	steel
32	P493A3128000A00
40	P493A4128000A00
50	P493A5128000A00
63	P493A6128000A00
80	P493A8128000A00
100	P493A1128000A00



Alignment compensator

Ø mm	light alloy
32	P493A3134000A00
40	P493A4134000A00
50-63	P493A5134000A00
80-100	P493A8134000A00



Rectangular front or rear flange MF1 - MF2

Ø mm	steel
32	P493A3126000A00
40	P493A4126000A00
50	P493A5126000A00
63	P493A6126000A00
80	P493A8126000A00
100	P493A1126000A00



DYNAMIC ROD-LOCKING DEVICE

492 series

For cylinders ISO 15552 - Series 450/453

Ø 40 to 100 mm



Fluid	air, inert gas, water, oil	
Operating pressure	8 bar max.	
Disengage pressure	4 bar (min.), 8 bar (max.)	
Seal materials	NBR (nitrile)	UR (cast urethane)
Allowable temperature	-25°C to +80°C	0°C to +60°C
Max. allowable speed	500 mm/s	
Standardisation	ISO 15552	
Holding forces (static)	40 mm: 1000 N / 50 mm: 1600 N / 63 mm: 2500 N	
	80 mm: 4000 N / 100 mm: 6300 N	
Locking capacity	Maximum load, in kg, that can be stopped dynamically over a distance of 50 mm in relation to the rate of speed of the rod (the cylinder must be in a vertical mounting position)	
	V (mm/s)	Ø 40 Ø 50 Ø 63 Ø 80 Ø 100
		500 80 130 200 320 500
	200 90 145 225 360 590	
Number of cycles	1,5 x 10 ⁶ (at 20°C, at a balanced stop, in hold function, cycle = 1 Hz)	
Connection	G1/8 (Ø 32mm) - G1/4 (Ø50 -100mm)	

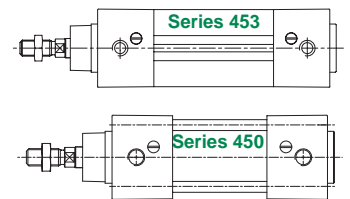
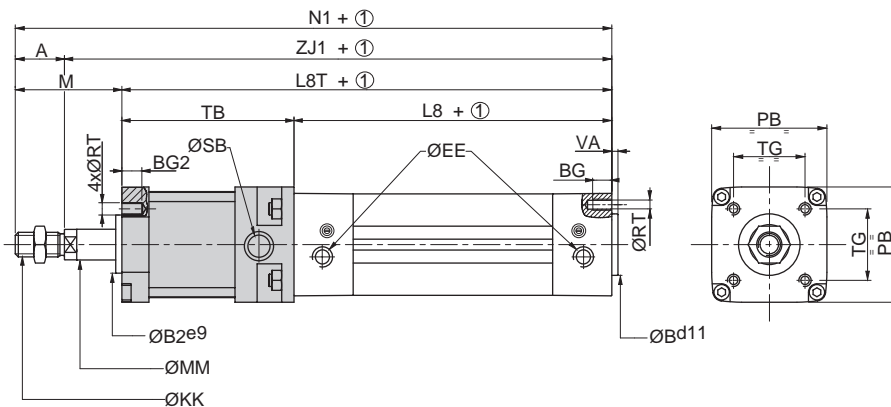
- Designed to stop and hold the rod of the cylinder under load in the event of air pressure or power failure. The rod lock is an elastic mechanical device acting on brake pads. It is disengaged when pressure is applied. Stops and holds the piston rod at any point of its stroke.
- Holds maximum allowable cylinder load without drifting
- Locks in the absence of air
- Bi-directional action
- Cast iron brake pads, concentric on the rod, ensure long service life without damaging the piston rod
- Compact and easy to install
- Any mounting position
- Reduced weight (light metal alloy body)
- Possibility of mounting to cylinders complying with ISO 15552-AFNOR-DIN standards (longer rod, without front bushing)



DYNAMIC ROD-LOCKING DEVICE

Series 450/453 ISO 15552

[Configurator - CAD Files](#) - In 3D



① Stroke

Ø (mm)	A	ØB	ØB2	BG	BG2	ØRT	ØEE	ØKK	L8	L8T	M	ØMM	N1	PB	ØSB	TB	TG
40	24	35	35	16	10	M6	G1/4	M12x1,25	105	200	54	16	254	70	G1/8	95	38
50	32	40	40	16	13	M8	G1/4	M16x1,5	106	218	69	20	287	75	G1/4	112	46,5
63	32	45	45	16	12	M8	G3/8	M16x1,5	121	241	69	20	310	95	G1/4	120	56,5
80	40	45	45	17	18	M10	G3/8	M20x1,5	128	268	86	25	354	95	G1/4	140	72
100	40	55	55	17	19	M10	G1/2	M20x1,5	138	288	91	25	379	120	G1/4	150	89

Ø (mm)	VA	VD	ZJ1	weight (kg) (rod-locking device alone)
40	4	4	230	1.3
50	4	4	255	1.5
63	4	4	278	3.1
80	4	4	314	3.5
100	4	4	339	5.6

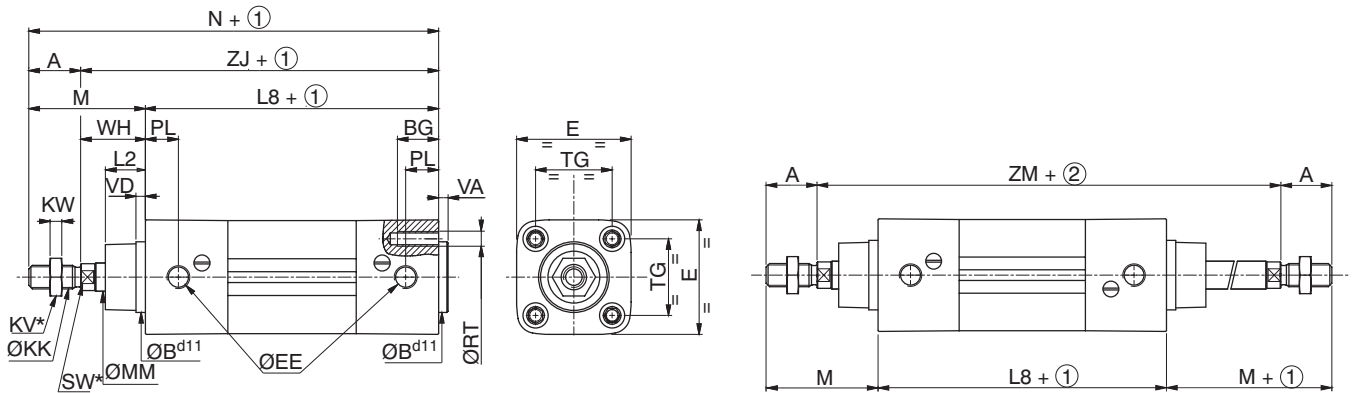
NOTE: The rod-locking device is mounted in line and centered on the piston rod. Its outside dimensions are approximately equal to the standard dimensions of the cylinder. The lengths of the versions equipped with the rod-locking device correspond to the standard lengths of the cylinders (see standard products) to which dimension TB is added.

ISO 15552 CYLINDERS - 453 / 450 series

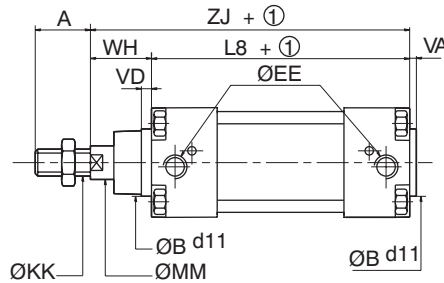
DIMENSIONS

Single-rod type cylinders - 453 series

Through-rod type cylinders - 453 series



Cylinders with tie rods - 450 series



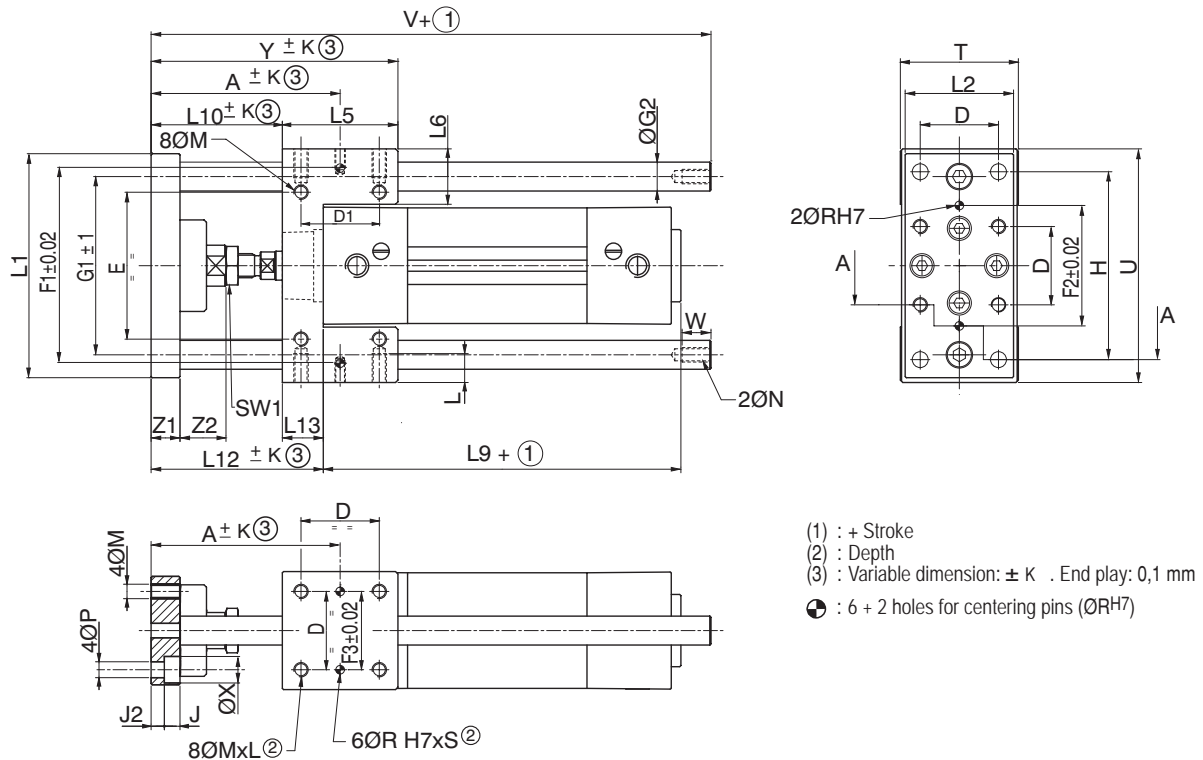
① Stroke

Ø mm	A	B	BG	E	EE	KK	KV	KW	L2	L8	M	MM	N	PL	RT	SW	TG	VA	VD	WH	ZJ	ZM
32	22	30	16	48	G1/8	M10 x 1,25	16	5	17	94	48	12	142	14	M6	10	32,5 ^{+0,5}	4	4	26	120	146
40	24	35	16	54	G1/4	M12 x 1,25	18	6	19	105	54	16	159	16	M6	13	38 ^{+0,5}	4	4	30	135	165
50	32	40	16	66	G1/4	M16 x 1,5	24	8	24	106	69	20	175	20	M8	17	46,5 ^{+0,6}	4	4	37	143	180
63	32	45	16	78	G3/8	M16 x 1,5	24	8	24	121	69	20	190	20	M8	17	56,5 ^{+0,7}	4	4	37	158	195
80	40	45	17	96	G3/8	M20 x 1,5	30	10	33	128	86	25	214	25	M10	22	72 ^{+0,7}	4	4	46	174	220
100	40	55	17	115	G1/2	M20 x 1,5	30	10	35,5	138	91	25	229	25	M10	22	89 ^{+0,7}	4	4	51	189	240
125	54	60	24	145	G1/2	M27x2	41	13,5	40	160	119	32	279	32	M12	27	110 ^{+1,1}	6	6	65	225	290
160	72	65	29,5	180	G3/4	M36x2	55	18	58	180	152	40	332	35,5	M16	36	140 ^{+1,1}	6	6	80	260	340
200	72	75	29,5	220	G3/4	M36x2	55	18	58	180	167	40	347	35	M16	36	175 ^{+1,1}	6	6	95	275	370

ISO 15552 GUIDING UNITS

DIMENSIONS

"U" guiding unit with bearings (series 453 cylinder)

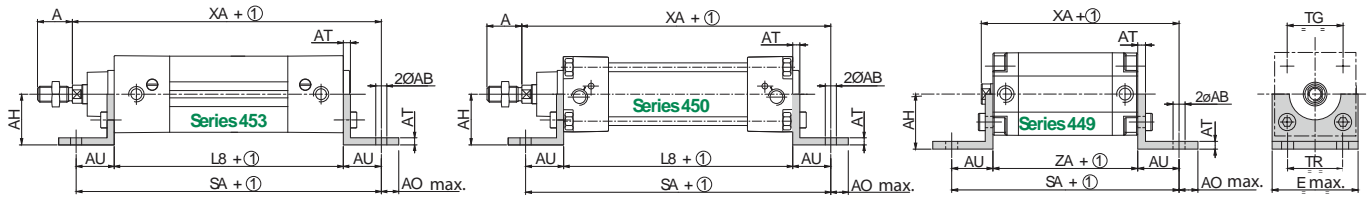


Ø	A	D	D1	E	F1	F2	F3	G1	G2	H	J	J2	K	L	L1	L2	L5	L6	L9	L10	L12
32	78,5	32,5	32,5	61	81	50	32,5	74	12	78	6,5	5,5	2,5	12	93	45	48	23	98	54,5	71,5
40	85	38	38	69	99	54	38	87	16	84	6,5	5,5	3	12	112	55	58	28,4	109	56	77
50	97	46,5	46,5	85	119	72	46,5	104	20	100	8,5	6,5	4	16	134	65	59	33,4	110	67,5	92,5
63	106	56,5	56,5	100	132	82	56,5	119	20	105	9	6	4	16	147	80	76	33,4	125	68	93
80	130	72	50	130	166	106	72	148	25	130	11	9	5	20	180	100	90	41,8	132	81	115
100	140,5	89	70	150	190	131	89	173	25	150	11	9	5	20	206	120	110	41,3	142	81,5	120,5

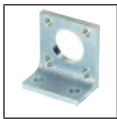
Ø	L13	M	N	P	R (H7)	S	SW1	T	U	V	W	X	Y	Z1	Z2
32	17	M6	M6	6,6	6	10	16	49	97	182	11	11	102,5	12	25
40	21	M6	M6	6,6	6	10	18	58	115	192	11	11	114	12	25
50	25	M8	M8	9	6	10	24	70	137	237	16	15	126,5	15	29
63	25	M8	M8	9	6	10	24	85	152	237	16	15	144	15	29
80	34	M10	M10	11	6	10	30	105	189	280	16	18	171	20	27
100	39	M10	M10	11	6	10	30	130	213	280	16	18	191,5	20	27

ISO 15552 STANDARDISED MOUNTINGS-ISO 21287 STANDARDISED MOUNTINGS

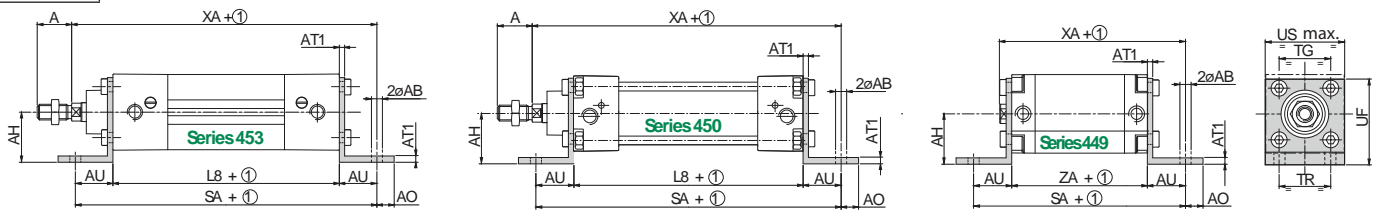
DIMENSIONS (mm), WEIGHT (kg)



① Stroke



MOUNTING
High foot
MS3

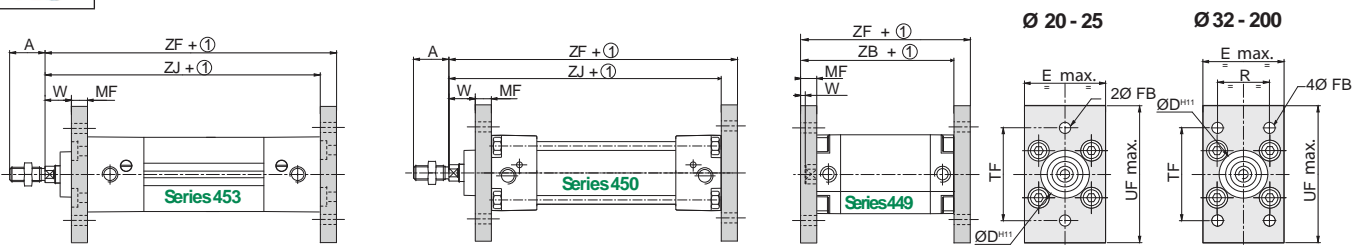


① Stroke

Ø (mm)			ØAB	A	AO	AH	AT	AT1	AU	E	L8	SA		TR	TG	UF	US	XA		ZA	weight	
449	453	450										449	453/450					449	453/450		2 x MS1	1 x MS3
32	32	32	7	22	11	32	4	8	24	50	94	92	142	32	32,5	54	50	79	144	44	0,150	0,180
40	40	40	9	24	13	36	4	8	28	58	105	101	161	36	38	62	58	83	163	45	0,190	0,250
50	50	50	9	32	13	45	5	10	32	70	106	109	170	45	46,5	77	70	88	175	45	0,395	0,470
63	63	63	9	32	13	50	5	10	32	85	121	113	185	50	56,5	87	85	91,5	190	49	0,445	0,595
80	80	80	12	40	20	63	6	12	41	105	128	146	210	63	72	110	105	107,5	215	54	0,790	1,265
100	100	100	14,5	40	25	71	6	12	41	130	138	149	220	75	89	130	130	128,5	230	67	1,400	-



MOUNTING
Front or rear flange
MF1 - MF2
Rectangular



① Stroke

Ø (mm)			A	ØD	E	ØFB	MF	R	TF	UF	W		ZB	ZJ	ZF		weight
449	453	450									449	453/450			449	453/450	
32	32	32	22	30	50	7	10	32	64	86	3	16	55	120	65	130	0,190
40	40	40	24	35	58	9	10	36	72	96	3	20	55	135	65	145	0,245
50	50	50	32	40	70	9	12	45	90	115	4	25	56	143	67	155	0,500
63	63	63	32	45	85	9	12	50	100	130	4	25	59,5	158	71,5	170	0,580
80	80	80	40	45	105	12	16	63	126	165	6	30	66,5	174	82,5	190	1,390
100	100	100	40	55	130	14	16	75	150	187	6	35	77,5	189	93,5	205	1,630

2017/R01 Availability, design and specifications are subject to change without notice. All rights reserved.

ISO 15552 STANDARDISED MOUNTINGS-ISO 21287 STANDARDISED MOUNTINGS

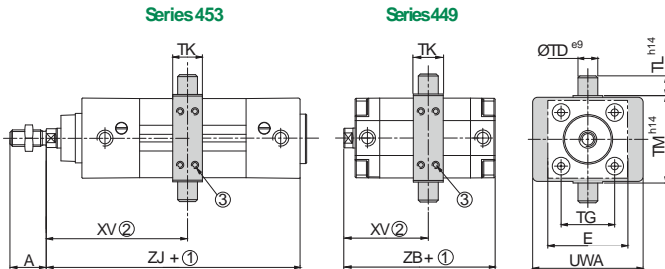
DIMENSIONS (mm), WEIGHT (kg)



MOUNTING

Centre trunnion MT4
(Series 449-453-450)

XV Dimension must be specified when ordering.

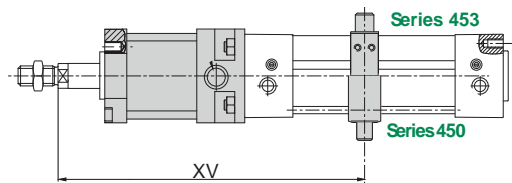


Ø (mm)			A	E	E1 ⁽¹⁾	TD	TG	TK	TL	TM	UW	UWA	ZB	ZJ	XV min.			XV max. (+ stroke)			min. stroke	weight	
449	453	450													449	453	450	449	453	450	449	449/453	450
32	32	32	22	46,5	48	12	32,5	18	12	50 ⁽²⁾	55	64,5	55	120	31	70	72	27	77	75	5	0,185	0,2
40	40	40	24	52	54	16	38	20	16	63	58	74,5	55	135	32	79	83	27	86	82	5	0,33	0,4
50	50	50	32	64	66	16	46,5	20	16	75	68	91	56	143	33	86	90	28	95	91	5	0,475	0,5
63	63	63	32	74	78	20	56,6	25	20	90	84	94	59,5	158	35	89	94	30	107	102	5	0,57	0,9
80	80	80	40	92	96	20	72	25	20	110	102	130	66,5	174	40	102	107	35	119	114	5	1,12	1,1
100	100	100	40	109	115	25	89	30	25	132	145	125	87,5	189	45	109	114	42	132	127	5	1,52	1,86

⁽¹⁾ Applies to 450 series with options AT1, AT2, HTP, FPM, FFP and NPC.

⁽²⁾ TM dimension is 53 for series 449 and 453, in Ø32.

Ø (mm)		DYNAMIC ROD-LOCKING DEVICE			
		XV min.		XV max. (+ stroke)	
453	450	453	450	453	450
32	32	-	-	-	-
40	40	174	178	181	177
50	50	198	202	207	203
63	63	209	214	227	222
80	80	242	247	259	254
100	100	259	264	282	277



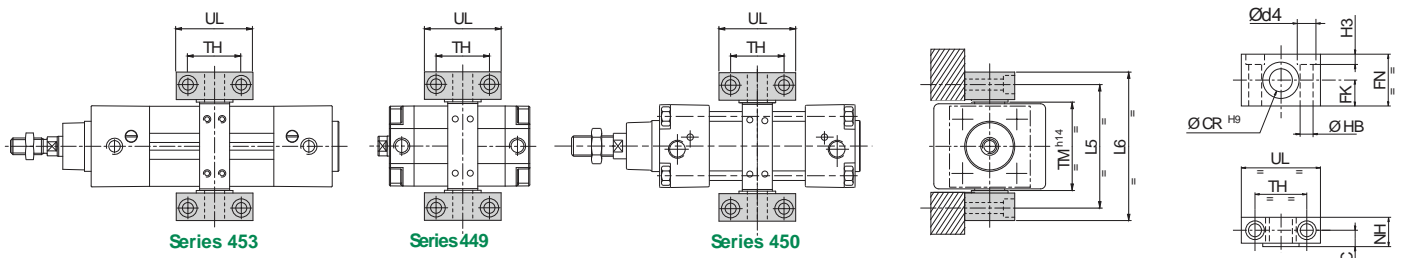
- Stroke
- Except when XV dimension is specified when ordering, the position of the trunnion may be adjusted along the unit.
Consequently, the centre trunnion is not screwed on and must be adjusted after delivery
- 8 locking screws.



MOUNTING

Support for centre trunnion (set of 2 items)
AT4

(Series 449-453-450)



Ø (mm)			C	ØCR	Ød4	FK	FN	HB	H3	L5	L6	NH	TH	TM	UL	weight
32	32	32	10,5	12	11	15	30	6,6	6,8	71	86	18	32	50 ⁽²⁾	46	0,12
40	40	40	12	16	15	18	36	9	9	87	105	21	36	63	55	0,23
50	50	50	12	16	15	18	36	9	9	99	117	21	36	75	55	0,23
63	63	63	13	20	18	20	40	11	11	116	136	23	40	90	65	0,33
80	80	80	13	20	18	20	40	11	11	136	156	23	40	110	65	0,33
100	100	100	16	25	20	25	50	13,5	13	164	189	28,5	50	132	75	0,58

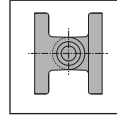
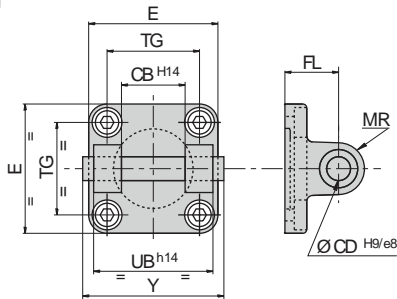
⁽²⁾ TM dimension is 53 for series 449 and 453, in Ø32.

ISO 15552 STANDARDISED MOUNTINGS-ISO 21287 STANDARDISED MOUNTINGS

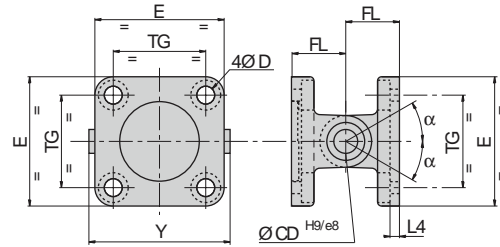
DIMENSIONS (mm), WEIGHT (kg)



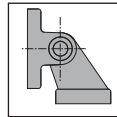
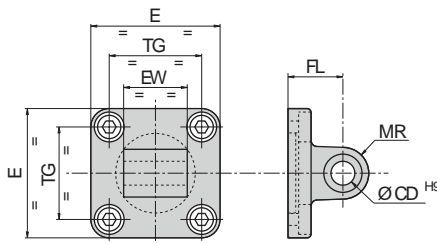
REAR MOUNTING
Cap, detachable clevis
MP2



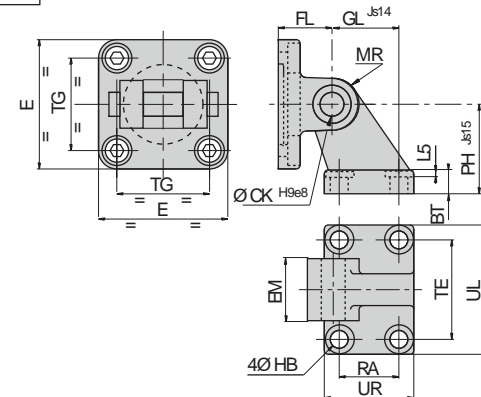
MP2 + MP4
Cap, detachable clevis
+
Cap, detachable eye (trunnion)



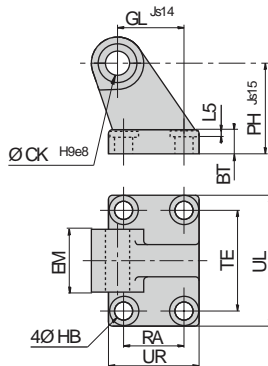
REAR MOUNTING
Cap, detachable eye (trunnion)
MP4



MP2 + AB7
Cap, detachable clevis
+
Angular clevis bracket

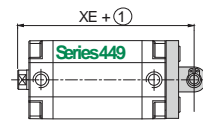
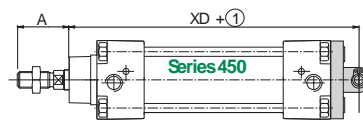
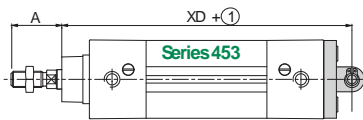


REAR MOUNTING
Angular clevis bracket
AB7



① Stroke

Ø (mm)			weight					
			light alloy			stainless steel		
449	453	450	MP2	MP4	AB7	MP2	MP4	AB7
32	32	32	0,105	0,085	0,16	0,41	0,41	0,16
40	40	40	0,15	0,092	0,23	0,67	0,67	0,24
50	50	50	0,24	0,17	0,39	0,97	0,97	0,42
63	63	63	0,37	0,25	0,57	1,585	1,585	0,525
80	80	80	0,635	0,445	0,95	3,46	3,46	1,055
100	100	100	0,99	0,755	0,5	5,35	5,35	1,36



Ø (mm)			A	BT	CB EM	CD CK	D	E max.	EW	FL	GL	HB	L4	L5	MR	PH	RA	TE	TG	UB	UR	UL	XD	XE	Y	α
449	453	450																								
32	32	32	22	8	26	10	6,6	50	26	22	21	6,6	5,5	1,6	11	32	18	38	32,5	45	31	51	142	73	56	45°
40	40	40	24	10	28	12	6,6	58	28	25	24	6,6	5,5	1,6	13	36	22	41	38	52	35	54	160	77	63	50°
50	50	50	32	12	32	12	9	70	32	27	33	9	6,5	1,6	13	45	30	50	46,5	60	45	65	170	80	71	40°
63	63	63	32	12	40	16	9	85	40	32	37	9	6,5	1,6	17	50	35	52	56,5	70	50	67	190	89	81	55°
80	80	80	40	14	50	16	11	105	50	36	47	11	10	2,5	17	63	40	66	72	90	60	86	210	100	101	45°
100	100	100	40	15	60	20	11	130	60	41	55	11	10	2,5	21	71	50	76	89	110	70	96	230	118	128	35°*

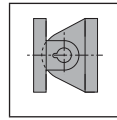
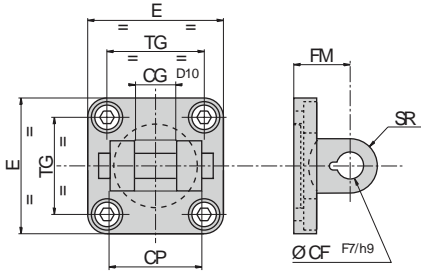
ISO 15552-ISO 21287 STANDARDISED MOUNTINGS

DIMENSIONS (mm), WEIGHT (kg)



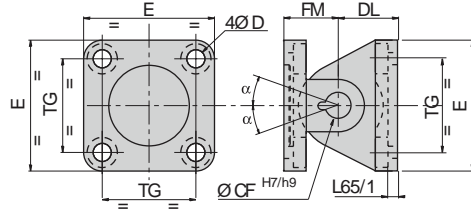
REAR MOUNTING

Cap clevis for spherical eye or clevis bracket
AB6



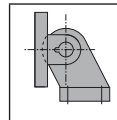
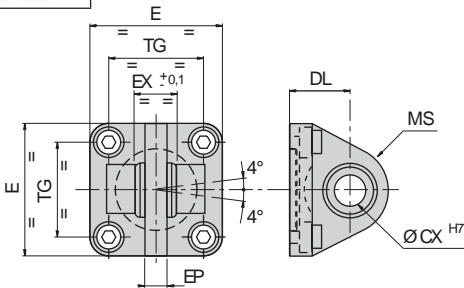
AB6 + MP6

Cap clevis for spherical eye or clevis bracket+ Cap eye with spherical eye



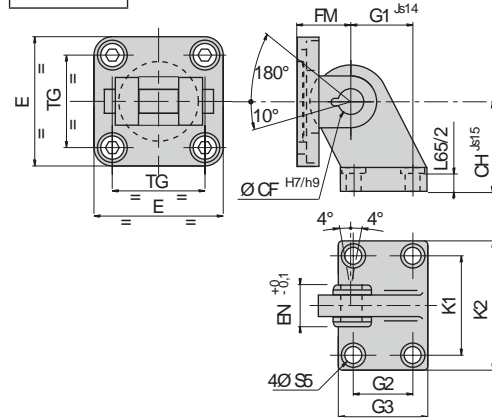
REAR MOUNTING

Cap eye with spherical eye
MP6



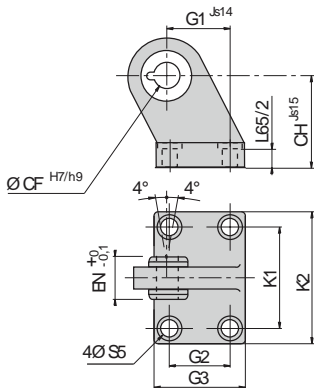
AB6 + AB5

Cap clevis for spherical eye or clevis bracket + Angular clevis bracket spherical bearing



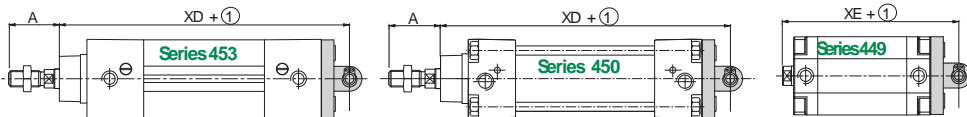
REAR MOUNTING

Angular clevis bracket spherical bearing
AB5



Ø (mm)	weight					
	steel					
	449	453	450	AB6	AB5	MP6
32	32	32	32	0,190	0,180	0,180
40	40	40	40	0,300	0,230	0,290
50	50	50	50	0,460	0,450	0,420
63	63	63	63	0,680	0,520	0,650
80	80	80	80	1,460	0,940	1,210
100	100	100	100	2,130	1,070	1,870

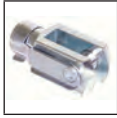
① Stroke



Ø (mm)			A	CG	CH	CP	CX CF	DL FM	E max.	EN EX	EP	G1	G2	G3 max.	K1	K2 max.	L65/1	L65/2	MS max.	TG	SR max.	S5 D	XD	XE	α
449	453	450	22	14	32	34	10	22	50	14	10,5	21	18	31	38	51	5,5	8,5	15	32,5	11	6,6	142	73	40°
32	32	32	24	16	36	40	12	25	58	16	12	24	22	35	41	54	5,5	8,5	18	38	13	6,6	160	77	45°
50	50	50	32	21	45	45	16	27	70	21	15	33	30	45	50	65	6,5	10	20	46,5	18	9	170	80	35°
63	63	63	32	21	50	51	16	32	85	21	15	37	35	50	52	67	6,5	10	23	56,5	18	9	190	89	50°
80	80	80	40	25	63	65	20	36	105	25	18	47	40	60	66	86	10	11,5	27	72	22	11	210	100	40°
100	100	100	40	25	71	75	20	41	130	25	18	55	50	70	76	96	10	12,5	30	89	22	11	230	118	30°

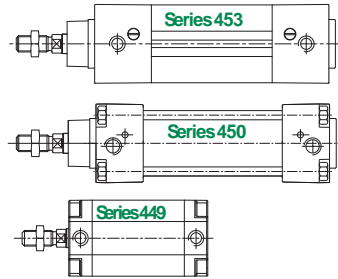
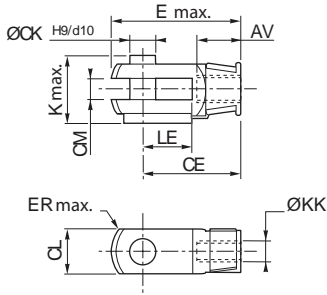
ISO 15552-ISO 21287 STANDARDISED MOUNTINGS

DIMENSIONS (mm), WEIGHT (kg)



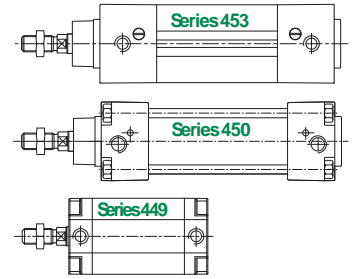
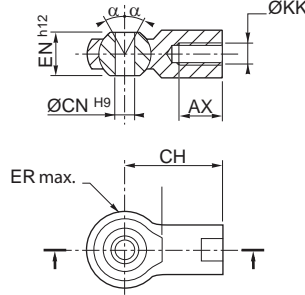
ROD MOUNTING

Female rod clevis
AP2



ROD MOUNTING

Spherical rod end
AP6

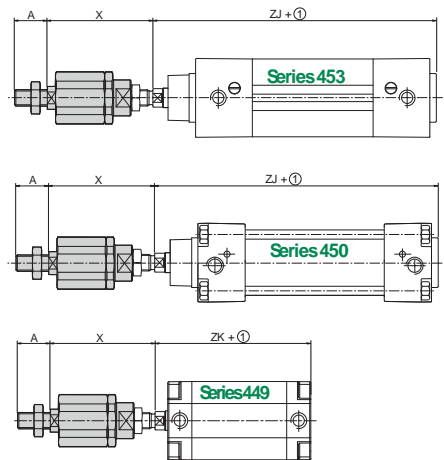
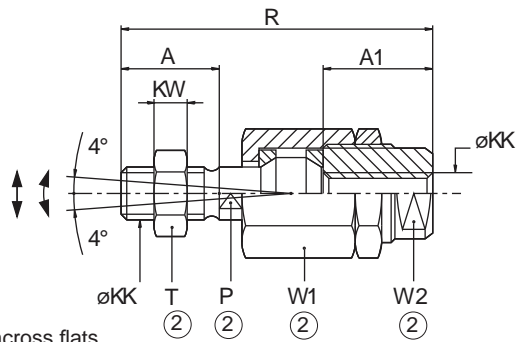


Ø (mm)	AV			CE	CH	ØCK	CL	CM	ØCN	E max.	EN	ER max.	K	ØKK	LE	α	weight			
	AX																steel		stainless steel	
	449	453	450														AP2	AP6	AP2	AP6
32	32	32	20	40	43	10	20	10 ^{+0,5 +0,15}	10	56	14	14	26	M10x1,25	20	4°	0,1	0,07	0,09	0,08
40	-	-	20	40	43	10	20	10 ^{+0,5 +0,15}	10	56	14	14	26	M10x1,25	20	4°	0,1	0,07	-	-
-	40	40	22	48	50	12	24	12 ^{+0,5 +0,15}	12	67	16	16	32	M12x1,25	24	4°	0,15	0,12	0,16	0,12
50	-	-	22	48	50	12	24	12 ^{+0,5 +0,15}	12	67	16	16	32	M12x1,25	24	4°	0,15	0,12	-	-
-	50	50	28	64	64	16	32	16 ^{+0,5 +0,15}	16	89	21	21	41	M16x1,5	32	4°	0,33	0,22	0,31	0,23
63	-	-	22	48	50	12	24	12 ^{+0,5 +0,15}	12	67	16	16	32	M12x1,25	24	4°	0,15	0,12	-	-
-	63	63	28	64	64	16	32	16 ^{+0,5 +0,15}	16	89	21	21	41	M16x1,5	32	4°	0,33	0,22	0,31	0,23
80	-	-	28	64	64	16	32	16 ^{+0,5 +0,15}	16	89	21	21	41	M16x1,5	32	4°	0,33	0,22	-	-
-	80	80	33	80	77	20	40	20 ^{+0,6 +0,15}	20	112	25	25	48	M20x1,5	40	4°	0,67	0,39	0,67	0,42
100	-	-	28	64	64	16	32	16 ^{+0,5 +0,15}	16	89	21	21	41	M16x1,5	32	4°	0,33	0,22	-	-



ROD MOUNTING

Alignment compensator



- ① Stroke
- ② Width across flats

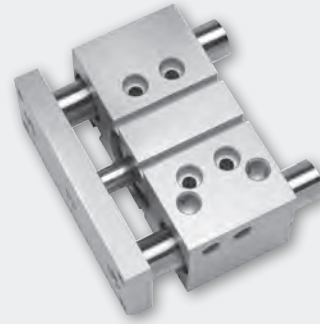
Ø (mm)	A	A1	P	ØKK		KW	R	T	W1	W2	X min.	ZJ	ZK	radial compensation (mm)	spherical angular compensation (°)	weight											
449	-	-	●	-	●	-	●	-	●	-	●	-	●	-	●	-											
-	453	450	-	●	-	●	-	●	-	●	-	●	-	●	-	●											
32	32	32	20	20	22	12	12	M10x1,25	M10x1,25	5	5	71,5	71,5	16	16	30	30	19	19	57	57	120	51	0,7	0,7	4	0,22
40	40	40	22	24	26	23	12	M10x1,25	M12x1,25	6	7	73	75	17	19	30	30	19	19	58	57	135	52	0,7	0,7	4	0,23
50	50	50	24	32	26	32	12	M12x1,25	M16x1,5	7	8	77	103	19	24	30	41	19	27	59	79	143	53	0,7	1	4	0,66
63	63	63	24	32	26	32	12	M12x1,25	M16x1,5	7	8	77	103	19	24	30	41	19	27	59	79	158	57	0,7	1	4	0,66
80	80	80	32	40	34	39	19	M16x1,5	M20x1,5	8	10	106	119	24	30	42	41	30	27	82	89	174	64	1	1	4	0,7
100	100	100	32	40	34	39	19	M16x1,5	M20x1,5	8	10	106	119	24	30	42	41	30	27	82	89	189	77	1	1	4	0,7

NOTE: The compensator is preset with an axial clearance of 0,05 to 0,1 - Do not reset.

COMPACT GUIDE SLIDE CYLINDER

CGT series

DOUBLE ACTING, Ø 16 to 63 mm
equipped for magnetic position detectors

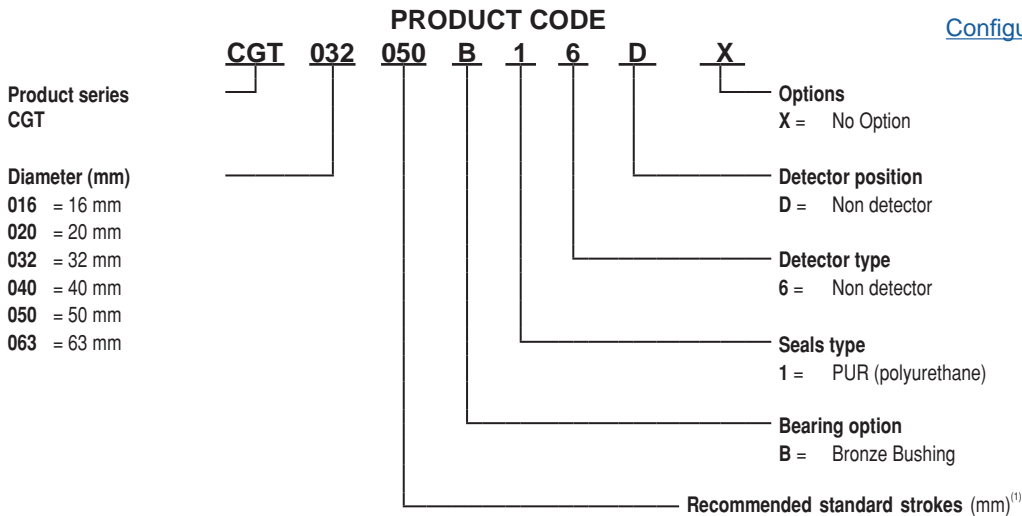


Fluid	air or neutral gas, filtered, lubricated or not
Operating pressure	10 bar max
Allowable temperature	-20°C to +80°C
Max. allowable speed	0,4 to 0,8 m/s
Body	Anodised aluminium alloy
Guiding rod	Hardened and polished steel
Wiper seals	Reinforced steel
Piston	Fitted with a permanent annular magnet
Front plate	Treated steel
Bearings	Plain bronze or ball

- Ideal where high load and force are required and minimum space is available
- Offers several options to mount both the slide assembly and tooling
- Easy access for Hall effect and Reed switches with no external brackets needed

YOUR SELECTION

[Configurator - CAD Files](#) - In 3D



Ø mm	20	25	30	40	50	75	100
16	●		●	●	●	●	
20	●		●	●	●	●	●
25	●	●		●	●	●	●
32		●			●	●	●
40		●			●	●	●
50		●			●	●	●
63		●			●	●	●

⁽¹⁾ Other strokes on request.

OPTIONS AND ACCESSORIES

Position detectors and mounting kits
(see page 56)

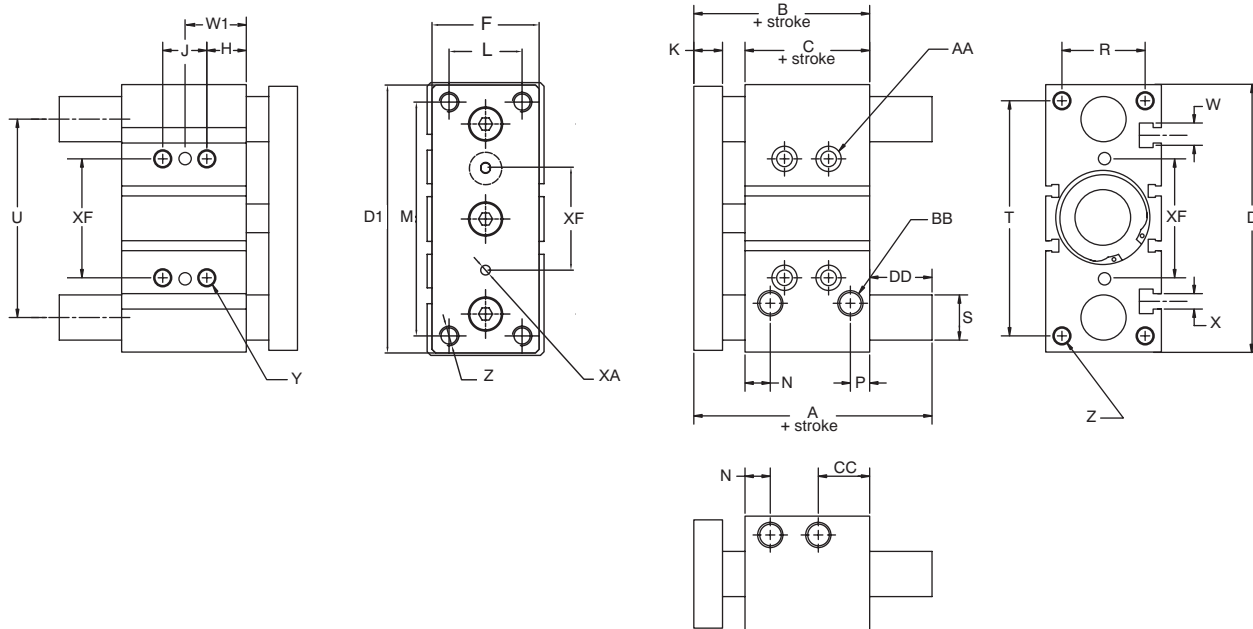


Flow regulators
(see page 114)



COMPACT GUIDE SLIDE CYLINDER - CGT series

DIMENSIONS



Ø (mm)	B	C	D	D1	F	H	K	L	M	N	P	R
16	46,0	33,0	64,0	62,0	25,0	5,0	8,0	16,0	54,0	11,0	8,0	22,0
20	53,0	37,0	83,0	81,0	30,0	17,0	10,0	18,0	70,0	10,5	8,5	24,0
25	53,5	37,5	93,0	91,0	38,0	17,0	10,0	26,0	78,0	11,5	9,0	30,0
32	59,5	37,5	112,0	110,0	44,0	21,0	12,0	30,0	96,0	12,5	9,0	34,0
40	66,0	44,0	120,0	118,0	44,0	22,0	12,0	30,0	104,0	14,0	10,0	40,0
50	72,0	44,0	148,0	146,0	60,0	24,0	16,0	40,0	130,0	14,0	11,0	46,0

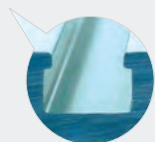
Ø (mm)	S	T	U	W	X	Y	Z	AA	BB	CC	XA	XF
16	10,0	56,0	46,0	7,40	4,4	M5	M5	4 mm SHCS	M5	18,0	3	24,0
20	12,0	72,0	54,0	8,40	5,5	M6	M5	5 mm SHCS	G 1/8	24,5	3	28,0
25	16,0	82,0	64,0	8,40	5,5	M6	M6	5 mm SHCS	G 1/8	24,0	4	34,0
32	20,0	98,0	78,0	10,50	6,5	M8	M8	6 mm SHCS	G 1/8	30,5	4	42,0
40	20,0	106,0	86,0	10,50	6,5	M8	M8	6 mm SHCS	G 1/8	31,0	4	50,0
50	25,0	130,0	110,0	13,5	8,5	M10	M10	8 mm SHCS	G 1/4	35,0	5	66,0

Ø (mm)	stroke (mm)			
	A	DD	J	W1
16	10-50: 46	10-50: 0	10-30: 24	10-30: 17
	75: 64,5	75: 18,5	40-75: 44	40-75: 27
20	20-50: 53	20-50: 0	20-30: 24	20-30: 29
	75: 84,5	75: 31,5	40-75: 44	40-75: 39
25	20-50: 53,5	20-50: 0	20-30: 24	20-30: 29
	75: 85	75: 31,5	40-75: 44	40-75: 39
32	25-50: 97	25-50: 37,5	25: 24	25: 33
	75: 107	75: 47,5	50-75: 48	40-75: 45
40	25-50: 97	25-50: 41	25: 24	25: 34
	75: 107	75: 64,5	50-75: 48	40-75: 46
50	25-50: 106,5	25-50: 34,5	25: 24	25: 36
	75: 118	75: 46	50-75: 48	40-75: 48

MAGNETIC POSITION DETECTORS

REED SWITCH - MAGNETO-RESISTIVE TYPE

for cylinders with "T" slot



	REED 2 wires	MR 3 wires
Switching power ratings (max.)	5 W / 5 VA	3 W
Switching voltage	wires	5 to 120 VDC/AC
	M12	5 to 50 V AC/5 to 60 V DC
Max. switching current	100 mA	
Max. voltage drop	< 5 V	< 2,5 V
Insulation resistance	< 0,2 mm	
Operating temperature	-25°C to +70°C	-25°C to +85°C
Degree of protection	IP 67	
Certification	CE	CE
		UL and cUL (2m - M8)
Signalisation	by yellow diode (LED) when the contact is closed	

- A universal detector for a large range of cylinders and actuators (tie-rod cylinders, profiled, round ...)
- Magneto-resistive type (MR)
- Fastened using standard screwdriver

YOUR SELECTION

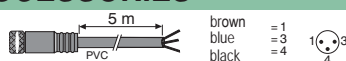
connection / connector	visual	connection		detector (directly adaptable to cylinders with "T" slot)		
		REED 2 wires polarised	MR 3 wires (polarised)	code		
				REED 2 wires	MR 3 wires	
PUR cable, 2 or 5 m long, wires 0,14 mm ² , stripped ends and tinned				2 m	P494A0021300A00	P494A0022300A00
				5 m	P494A0021100A00	P494A0022100A00
PUR cable, 0,3 m long + male connector, Ø M8 - 3 pins					P494A0021500A00	P494A0022600A00
PUR cable, 0,3 m long + screw-type male connector Ø M12 - 3 pins					P494A0021700A00	P494A0022800A00
3 pin screw-type male connector Ø M8					P494A0021400A00	P494A0022500A00

MOUNTING KITS (for round cylinders or cylinders with tie rods)

cylinder type	visual	cylinder Ø mm	code		cylinder Ø mm	code for T detectors		
			for T detectors	for M8 detector		plastic	stainless steel	
tie rods - PES 450		32-40	P494A3129200A00		round	12	P494AJ129300A00	P494AK129600A00
		50-63	P494A5129200A00	P499A2440617A00		16	P494AK129300A00	P494AK129600A00
		80-100	P494A8129200A00			20	P494AL129300A00	P494AL129600A00
		125-	P494A129200A00			25	P494AM129300A00	P494AL129600A00
		160-200	P494AP129200A00	-		32	P494A3129300A00	P494A3129600A00
					40	P494A4129300A00	P494A4129600A00	
					50	-	P494A5129600A00	
					63	-	P494A6129600A00	

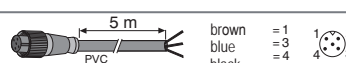
OPTIONS AND ACCESSORIES

PVC extension cord, length 5 m, 3-wire conductors 0.25 mm²
with 1 screw-type female M8 connector (other end plain)
blue wire not used (REED) - IP67



P4994406200N001

PVC extension cord, length 5 m, 3-wire conductors 0.25 mm²
with 1 screw-type female M12 connector (other end plain)
blue wire not used (REED) - IP67



P4994406210N001

straight 3-pin female connector Ø M8, IP67








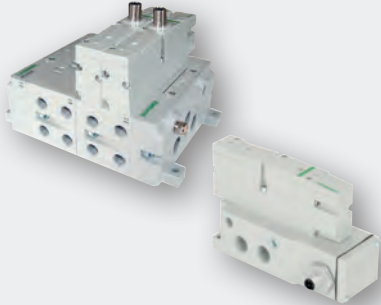





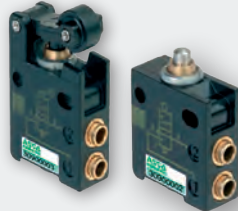

P4994406220N001

series 447 actuator
code fastening kit
Designed for "dove tail" grooves.



P494A0029400A00

PNEUMATIC VALVES

<p>electropneumatic interface</p>	<p>poppet valves (high flow, fast response times)</p>		
<p>series 304</p>  <p>1 page 63</p>	<p>series 261-262</p>  <p>2-3 pages 64</p>	<p>series 263-264</p>  <p>4-5</p>	<p>series 266-267 284-285-286</p>  <p>6</p>
<p>spool valves</p>			
<p>Plug in series 501-503</p>  <p>7 page 68</p>	<p>ISO 15407-1 - size 01 (26 mm) ISO 15407-2 series 503</p>  <p>7 page 70</p>	<p>ISO 5599-1 - sizes 1-2-3 series 541-542-543-544</p>  <p>8 pages 75</p>	
<p>mini spool valves</p> <p>series 519-520-521</p>  <p>9 pages 80</p>	<p>spool valves, threaded G 1/4, integral pilots</p> <p>series 551</p>  <p>10 pages 83</p>		
<p>spool valves manually operated series 551</p>  <p>11 pages 86</p>	<p>micro valves manually operated series 307</p>  <p>12 page 88</p>	<p>micro valves mechanically operated series 308-309-310-550-551</p>  <p>13 page 89</p>	<p>mini spool valves mechanically operated series 550</p>  <p>14 page 91</p>

PNEUMATIC VALVES

YOUR SELECTION

standards		pilot		body		connection Ø G							construction		max. pressure bar	flow at 6 bar l/min (ANR)	visual	series	page								
ISO 15407-1	ISO 15407-2	ISO 5599/1	solenoid	pneumatic	manual	subbase-mounted	threaded	M3	M5	1/8	1/4	3/8	1/2	3/4						1	1 1/2	NAMUR interface	instant fitting 4 mm OD	instant fitting 6-8 mm OD	poppets	spool type	
3/2																											
			●							●									●				8	154	1	304	63
			●	●						●											●		8	400	10	520	80
			●	●		●					●										●		10	700	2-3	261	64
			●	●		●						●									●		10/12	1750		262	
				●		●							●											3000	266		
				●		●								●									9100	267			
			●			●						●									●		10/12	4500/6000	6	284	
			●	●		●									●									12500	285		
			●	●		●										●							35000	286			
				●		●					●											●		860	10	551	
				●		●					●											●	8/10	860	11	551	86
				●		●					●													112	12	307	88
				●		●					●												8	140	13	308	89
				●		●					●													280		309	
				●		●					●												10	200	550		
				●		●					●												10	860	551		
				●		●					●											●	10	200	14	550	91
4/2																											
			●							●										●			8	154	1	304	63
			●	●		●					●										●		10	700	2-3	261	64
			●	●		●						●									●		10/12	1750		262	
			●	●		●							●								●		10	210	4-5	263	
			●	●		●							●								●			840	264		
				●		●					x			●										2940	6	266	64
				●		●									●									9100	267	64	
5/2-5/3																											
●	●		●			●				●												●	10	1200	7	503	68
			●	●	●	●					●	●										●	12	1400	8	541	75
			●	●	●	●					●	●												2800		542	
			●	●		●						●	●											4200		543	
			●	●		●						●	●											6300/7000		544	
			●	●		●				●												●	8	175	9	519	80
			●	●		●					●											●	600	520			
			●	●		●						●										●	1050	521			
			●	●		●						●										●	860	10	551	83	
				●		●						●										●	10	860	11	551	86
				●		●						●										●	10	200	14	550	91

MINI PILOT SOLENOID VALVES

302 series

3/2 NC

subbase mounted

CNOMO size 15 pad mount



Fluids	air or inert gas, filtered, lubricated or not	
Differential pressure	refer to selection table	
Fluid temperature	-10°C to +40°C	
Ambient temperature	-10°C to +50°C	
Body	Technical polymers	
Sealings	NBR (nitrile), PUR (polyuréthane) and FPM	
Standard voltages	DC (=)	24V
	AC (~)	24V - 48V - 115V - 230V / 50 Hz

- Size 15mm valve conforming to ISO 15218 standard (CNOMO E06.36.120N)
- IP65 or Ex ia coils
- Version with or without LED
- Joinable manifold
- Din 9,4, ISO15217 8mm or M12 electrical connection

YOUR SELECTION

current	orifice size	differential pressure	voltage	power		solenoid valve (M) code (1)	standard voltages (V)		connector
				~	=		AC (~) / 50Hz	DC(=)	

~/=	mm	bar	V	VA	W		standard	OR	with 2 m cable
-----	----	-----	---	----	---	--	----------	----	----------------

3/2 NC - version without connector - intended for connector size 15 - centre distance 9,4 mm (2)									
=	0,8	0...8	24	-	1,2	30211112--P	30211113--P	✓	88143567
	1,1	0...10	24	-	2,65	30211122--P		✓	88143581
	0,6	0...10	24	-	1,2	30211109--P		✓	88143580 (with LED and EP)

3/2 NC - version without connector - intended for connector size 15 - centre distance 8 mm (3)									
=	0,8	0...8	24	-	1,2	30210112--P		✓	88130211

3/2 NC - version with connector size 15 - centre distance 9,4 mm (2)									
	0,8	0...8	24	-	1,2	30211112--D	30211113--D	✓	supplied
	1,1	0...10	24	-	2,65	30211122--D		✓	
	1,5	0...6	24	-	2,65	30211127--D		✓	
	0,6	0...10	24	-	1,2	30211109--D		✓	

3/2 NC - M12 version with integrated LED and protection - intended for M12 connector									
=	0,6	0...10	-	-	-	30212109--P		✓	not supplied

- (M) Manual operator ● : with maintained manual operator ▼ : with impulse manual operator
 (1) When ordering, please specify in addition to the code: voltage / frequency,
 Examples: 30211112--P 24V DC
 (2) DIN 43650, 9,4 mm, form C
 (3) ISO 15217 / DIN 43650, 8 mm, form C

OPTIONS AND ACCESSORIES

single M5 threaded subbase 88263002	Mating surface blanking plate 88130203
---	--



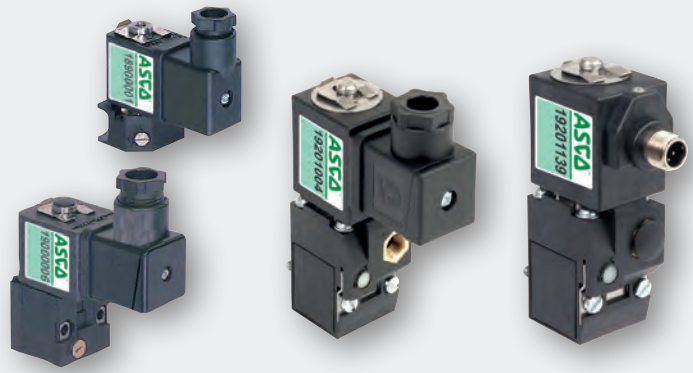
2017/R01 Availability, design and specifications are subject to change without notice. All rights reserved.

PILOT SOLENOID VALVES

189, 190 and 192 series

3/2 NC

subbase mounted
CNOMO size 30 pad mount



Series	189	190	192
Fluids	air or inert gas, filtered, lubricated or not		
Differential pressure	0 to 10 bar		0 to 12 bar
Fluid temperature	-10°C to +60°C		
Ambient temperature	-10°C to +60°C		
Body	Technical polymers		
Sealings	NBR (nitrile), PUR (polyurethane)		
Standard voltages	DC (=)	24V (M12 connection)	
	DC (=)	24V - 48V	
	AC (~)	24V - 48V - 115V - 230V / 50 Hz	

- Ideal for controlling air or inert gases
- Coil and iron circuit encapsulated and rotatable 90°
- Size 30 CNOMO pilot adapted for the piloting of actuators or pool valves
- Version with M12 connection, integrated LED and protection
- CNOMO pad-mount version for valve piloting applications
- Compact size and low weight for easy installation on single or joinable subbases

YOUR SELECTION

orifice size mm	power		solenoid valve (M) code (1)	(M)	standard voltages (V)				connector			
	~	=							standard	with 2 m cable	with built-in visual indicator and protection	
	VA	W			24	48	115	230	24	48	code	code



+



or



or



3/2 NC - version without connector, size 22 (2)

1,2	3,5	2,5	18900002	●	✓	✓	✓	✓	✓	88122404	88122413	24V =/~ 48V ~ 115V ~ 230V ~	88122405 88122406 88122407 88122410
-----	-----	-----	----------	---	---	---	---	---	---	----------	----------	--------------------------------------	--

3/2 NO - version without connector, size 22 (2)

1,2	3,5	2,5	18900011	●	✓	✓	✓	✓	✓	88122404	88122413	24V =	88122405
-----	-----	-----	----------	---	---	---	---	---	---	----------	----------	-------	----------



3/2 NC - version with connector, size 22 (2)

1,2	3,5	2,5	18900001	●	✓	✓	✓	✓	✓	supplied	-	-	-
1,2	3,5	2,5	18900007	×					✓				

3/2 NC - version with connector, size 22, with visual indicator and electrical protection (2)

1,2	3,5	2,5	18900019	●					✓				supplied
1,2	3,5	2,5	18900018	●			✓						

3/2 NO - version with connector, size 22 (2)

1,2	3,5	2,5	18900010	●	✓	✓	✓	✓	✓	supplied	-	-	-
-----	-----	-----	----------	---	---	---	---	---	---	----------	---	---	---

3/2 NC - version with connector, size 30 (3)

1,6	4	3	19000005	×	✓	✓	✓	✓	✓				
1,6	4	3	19000006	●	✓	✓	✓	✓	✓	supplied	-	-	-
1,6	4	3	19000017	▼	✓	✓	✓	✓	✓				
1,6	4	3	19000008	■	✓	✓		✓	✓				

3/2 NC - version with connector, size 30, with exhaust to the subbase (3)

2,1	10	7	19201001	×	✓	✓	✓	✓					
2,1	10	7	19201002	●	✓	✓	✓	✓		supplied	-	-	-
2,1	10	7	19201003	▼	✓	✓	✓	✓					

3/2 NC - version with connector, size 30, with exhaust 1/8 to the front side (3)

2,1	10	7	19201007	×	✓	✓	✓	✓					
2,1	10	7	19201008	●	✓	✓	✓	✓		supplied	-	-	-
2,1	10	7	19201009	▼	✓	✓	✓	✓					

3/2 NC - version with connector with visual indicator (LED) and electrical protection (RC), size 30 (3)

1,6	4	3	19000021	●			✓						supplied
1,6	4	3	19000022	●	✓			✓	✓				

(M) Manual operator × : without ● : with maintained manual operator ▼ : with impulse manual operator ■ : with button

(1) When ordering, please specify in addition to the code: the type of current, voltage / frequency - Examples: 18900001 24V DC

(2) DIN 43650, 11 mm, industry standard B (3) ISO 4400 / EN 175301-803, form A

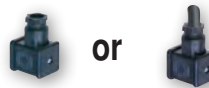
PILOT SOLENOID VALVES

YOUR SELECTION

orifice size mm	power		solenoid valve (M) code (1)	(M)	standard voltages (V)						connector			
	~	=			AC (~) / 50Hz				DC(=)		standard code	with 2 m cable code	with built-in visual indicator and protection	
					24	48	115	230	24	48			voltage	code



+



or



or



3/2 NC - version without connector, size 30 (3)

1,6	4	3	19000013	×	✓	✓	✓	✓	✓	88122404	88122612	24V =/~	88122603
1,6	4	3	19000014	●	✓	✓	✓	✓	✓			48V ~	88122604
1,6	4	3	19000018	▼	✓	✓	✓	✓	✓			115V ~	88122605
1,6	4	3	19000016	■	✓	✓	✓	✓	✓			230V ~	88122608

3/2 NC - version without connector, size 30, with exhaust to the subbase (3)

2,1	10	7	19201022	×	✓	✓	✓	✓	✓	88122404	88122612	24V =/~	88122603
2,1	10	7	19201023	●	✓	✓	✓	✓	✓			48V ~	88122604
2,1	10	7	19201024	▼	✓	✓	✓	✓	✓			115V ~	88122605

3/2 NC - version without connector, size 30, with exhaust 1/8 to the front side (3)

2,1	10	7	19201028	×	✓	✓	✓	✓	✓	88122404	88122612	24V =/~	88122603
2,1	10	7	19201029	●	✓	✓	✓	✓	✓			48V ~	88122604
2,1	10	7	19201030	▼	✓	✓	✓	✓	✓			115V ~	88122605



3/2 NC - version with M12 connection, with exhaust to the subbase

2,1	10	7	19201136	×	✓	✓	✓	✓	✓	not supplied	-	-
2,1	10	7	19201137	●	✓	✓	✓	✓	✓			
2,1	10	7	19201138	▼	✓	✓	✓	✓	✓			

3/2 NC - version with M12 connection, with exhaust G 1/8 to the front side

2,1	10	7	19201142	×	✓	✓	✓	✓	✓	not supplied	-	-
2,1	10	7	19201143	●	✓	✓	✓	✓	✓			
2,1	10	7	19201144	▼	✓	✓	✓	✓	✓			

instant fittings subbase (polyamide 6/6)



1 single subbase	OD 4 mm instant fittings	35300069
1 joinable subbase	OD 4 mm instant fittings	35300070
set of 2 joinable end subbases, pressure inlet on right side, OD 6 mm instant fittings	OD 6 mm instant fittings	35300071

threaded subbase (zamak)



laterally-connected single subbase	threaded G 1/8	35300047
laterally-connected joinable subbase	threaded G 1/8	35300048
laterally-connected single subbase (3 connectable lateral ports)	threaded G 1/4	35300049
laterally-connected joinable subbase (3 connectable lateral ports)	threaded G 1/4	35300057

replacement coils - see page 120

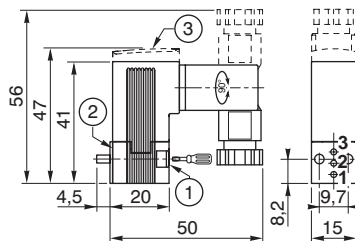
- (M) Manual operator × : without ● : with maintained manual operator ▼ : with impulse manual operator ■ : with button
 (1) When ordering, please specify in addition to the code: the type of current, voltage / frequency - Examples: 19201136 24V DC
 (2) DIN 43650, 11 mm, industry standard B (3) ISO 4400 / EN 175301-803, form A

PILOT SOLENOID VALVES

DIMENSIONS

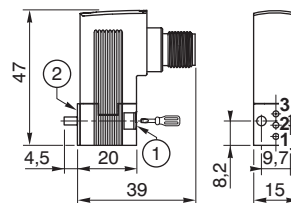
Solenoid valves series 189-190-192-302

miniature solenoid valve (series 302)
pad mount, CNOMO size 15 - connector size 15

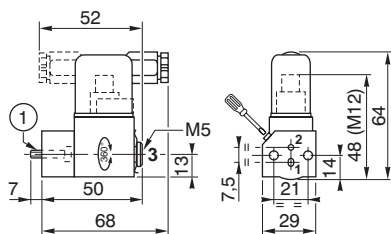


- ① 2 mounting screw M3 x 20 (supplied)
- ② seal (supplied)
- ③ Version with LED and electrical protection

miniature solenoid valve (series 302)
pad mount, CNOMO size 15 - M12 connector

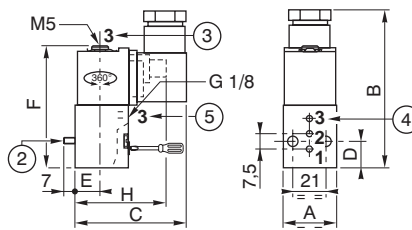


solenoid valve (series 189)
pad mount, CNOMO size 30



- ① Mounting: two CM4x20 screws (supplied)
- ② Mounting: two CM4 x 33,5 screws (supplied)
- ③ Series 190
- ④ Series 192 with exhaust in the mounting pad
- ⑤ Series 192 with exhaust on the front side

solenoid valves (series 190 - 192)
pad mount, CNOMO size 30



dimensions (mm)

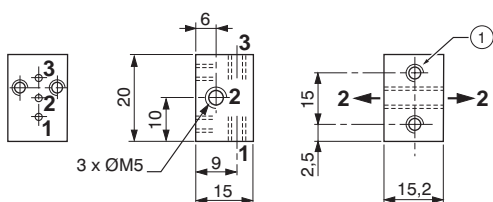
series	A	B	C	D	E	F	H
190	30	83	73	15	16,5	66	60
192	30	105	71	15	15,5	91	-

(190 M12)

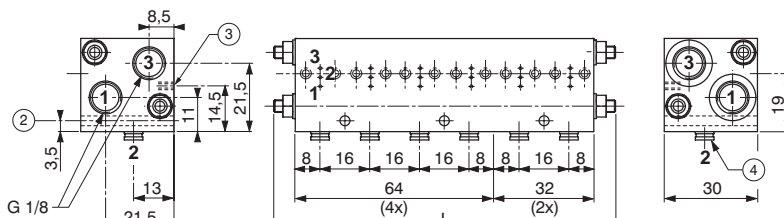
Subbases

CNOMO size 15 subbases (miniature solenoid valve, series 302)

single M5 threaded subbase



joinable subbases with instant fittings



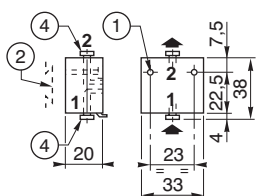
- ① 2 mounting holes Ø M3, depth 4,5 mm
Outlet port (2) can be connected on the left or the right side of the subbase.

- ② Fixing hole Ø 3,2 (2 for 4x ; 1 for 2x)
- ③ Fixing hole M3, depth 8 (2 for 4x ; 1 for 2x)
- x = Mounting pad for miniature solenoid valve
- 2 G1/8 plugs supplied
- ④ with instant fittings for tube Ø 4 mm O.D.

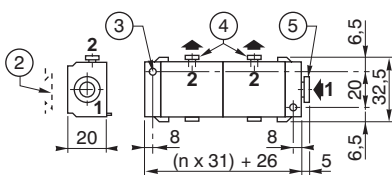
x	subbases	L
2	2x	-
4	4x	-
6	4x + 2x	110
8	4x + 4x	142
10	4x + 4x + 2x	174

CNOMO size 30 subbases (solenoid valves, series 189 - 190 - 192)

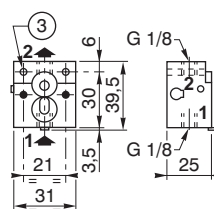
single subbase - instant fittings



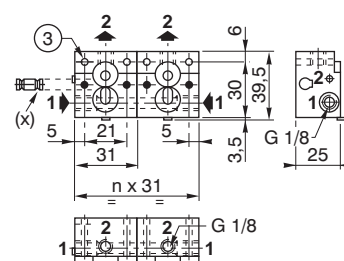
joinable subbases with instant fittings



single subbase - threaded



joinable subbase - threaded



- ① two dia. 3,5 mm securing holes, dia. 6,5 mm counter-bores, depth 3,5 mm
- ② Adaptable clips
- ③ 2 mounting holes 4,5 mm dia.
- ④ with instant fittings for tube Ø 4 mm O.D.
- ⑤ with instant fittings for tube Ø 6 mm O.D.

- Ports**
- 1 : Pressure
 - 2 : Outlet
 - 3 : Exhaust
 - ⊕ manual operator

- n = number of subbases
- (x) the joinable subbases are supplied with sealings and screws for battery-type mounting

ELECTRO-PNEUMATIC INTERFACES

304 series

3/2 - 4/2







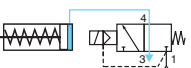

solenoid air operated
with instant fittings for tube Ø 4 mm O.D.



Fluids	air or inert gas, filtered, lubricated or not	
Operating pressure	3 to 8 bar	
Pilot pressure	internal piloting	
Ambient temperature	-10°C to +40°C	
Flow (Qv at 6 bar) (ANR)	154 l/min	
Assembly	on joinable subbases, which can be mounted on DIN rail EN 50022	
Connection	with instant fittings for tube Ø 4 mm O.D.	
Solenoid valve	miniature solenoid valve 3/2 NC with low power consumption	
Standard voltages	DC (=)	24V
	AC (~)	24V
Power	1,6 VA (~) / 1,3 W (=)	

- Modular joinable valves with instant fittings for fast assembly
- Integrated electrical connection for simplified wiring
- Low power consumption (1,29 W)
- Visualisation: LED integrated on solenoid pilot and pressure indicator on valve

YOUR SELECTION

	set of 2 end subbases (for Ø6 mm OD tube)	instant fittings subbase (for Ø4 mm OD tube)	instant fittings subbase (for Ø6 mm OD tube)	pneumatic module		solenoid pilot valve (1)	
	= 	+ 	or 	+ 	or	+ 	
	code	code	code	3/2 NC code	4/2 code	with LED code	without LED code
3/2 NC or 4/2							
	30400001	30400011	30400024	30400007	30400008		
						▼ =	30215178--P 30211178--P
						▼ ~	30215178--L -
						● =	30215179--P 30211179--P

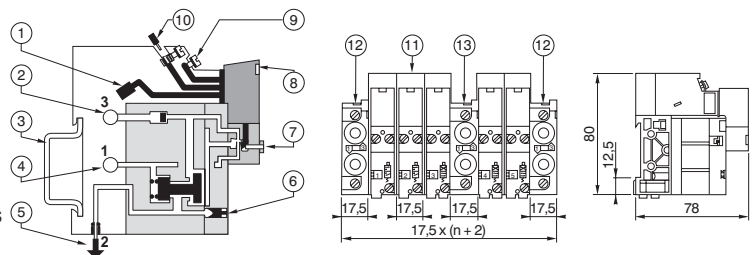
(M) Manual operator ● : with maintained manual operator ▼ : with impulse manual operator
(1) When ordering, please specify in addition to the code: the type of current, voltage / frequency

DIMENSIONS

- n = number of subbases
- ① common supply tag
 - ② common exhaust
 - ③ symmetrical DIN rail EN 50022
 - ④ supply pressure
 - ⑤ pneumatic signal
 - ⑥ optical position indicator
 - ⑦ manual operator

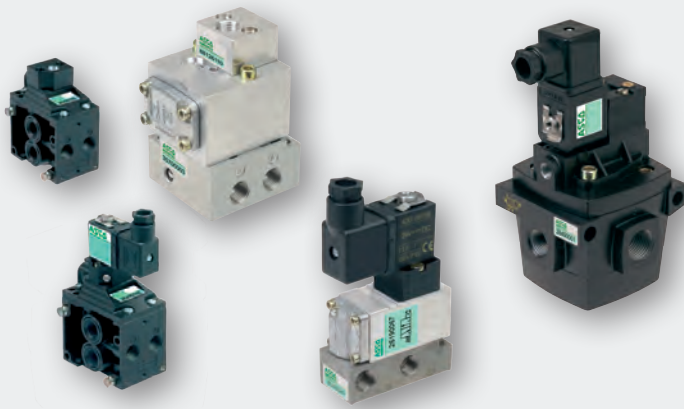
- ⑧ display of electrical signal
- ⑨ earth
- ⑩ electrical signal:
- common (A2)
- control signal (A1)
- ⑪ pneumatic module
- ⑫ end subbases
- ⑬ intermediate module for 2 inputs with different pressures

(pressure supply 1 directed to the right)



OPTIONS AND ACCESSORIES

Pilot solenoid valve with integrated visual indicator and protection



POPPET VALVES

261, 262, 263, 264, 266, 267, 284, 285 and 286 series

3/2 - 4/2

air operated or solenoid air operated
threaded, G 1/8 to G 1 1/2

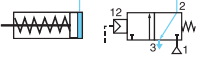
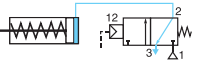
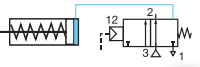
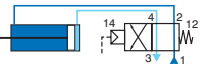
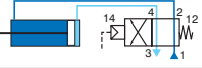
subbase mounted, G 1/4 to G 1

with instant fittings for tube Ø 6 mm O.D.

Series		261-262	263-264	266-267	284	285-286
Fluids		air or inert gas, filtered, lubricated or not				
Operating pressure	Air	2 to 12 bar	2 to 10 bar	2 to 16 bar	2 to 12 bar	2 to 16 bar
	Sol air	2 to 10 bar (189 - 190 pilots) - 2 to 12 bar (192 pilot)				
Ambient temperature		-10°C to +60°C				
Flow (Qv at 6 bar) (ANR)		210 up to 35000 l/min (refer to selection table)				
Body		light alloy, treated	zamak	zamak	zamak	light alloy
Sealings	NBR (nitrile)	•	•	•	•	•
	PUR (polyurethane)	•			•	
Standard voltages	DC (=)	24V				
	AC (~)	24V - 48V - 115V - 230V / 50Hz				

- Poppet valve suitable for individual or joined mounting
- Possibility to combine two sizes in the same assembly
- Short response times for high cycle applications
- Optional flow regulator to optimise pneumatic cabling

YOUR SELECTION

	pipe size	flow at 6 bar (ANR)	valve	air pilot (1)	subbase (connection)	
		l/min	code	code	+	code
					type	
3/2 NC - air operated - subbase mounted - spring return						
	G 1/4	700	26190067	88126110	single (side) joinable (side)	35300049 35300057
	G 1/4	700	26190068	88126110	single (side) joinable (bottom)	35300049 35300057
	G 3/8	1750	26290352	88126110	single (side)	35700002
	G 1/2	3000	26690001	88128408	single (side)	35700014
	1	9100	26790001	88128408	-	-
3/2 NC - air operated - threaded body						
	3/8	4500	28490001	88128408	-	-
	1/2	6000	28490002	88128408	-	-
	3/4	12500	28590213	88128408	-	-
	1	12500	28590215	88128408	-	-
	1 1/2	35000	28690023	-	-	-
3/2 NO - air operated - threaded body						
	1/2	6000	28490005	88128408	-	-
4/2 - air operated - subbase mounted - spring return						
	G 1/4	700	26190069	88126110	single (side)	35700003
	G 3/8	1750	26290354	88126110	single (side)	35700004
	G 1/2	2940	26690003	88128408	single (side)	35700018
	G1	9100	26790002	88128408	single (side)	35700020
4/2 - air operated - threaded body - spring return						
	G 1/8	210	26390002	88126401	-	-
	G 1/4	840	26490026	88126401	-	-

(1) the pilot pressure must be equal or superior to the operating pressure





POPPET VALVES

YOUR SELECTION

=	pipe size	flow at 6 bar (ANR)	valve	pilot solenoid valve (1)				subbase (connection)
				power	~	=		

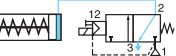
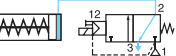
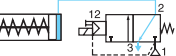
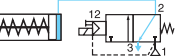
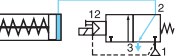
+	l/min	code	qty	code	VA	W	(M)	connector	type	code
---	-------	------	-----	------	----	---	-----	-----------	------	------

3/2 NC - solenoid air operated - subbase mounted - spring return

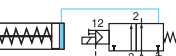
	G 1/4	700	26190067 + 1 x	18900001	3,5	2,5	●	size 22 (2)	single (side) joinable (bottom)	35300049 (4) 35300057 (4)
				19000006	4	3	●	size 30 (3)		
				19000017	4	3	▼	size 30 (3)		
	G 3/8	1750	26290352 + 1 x	18900001	3,5	2,5	●	size 22 (2)	single (side)	35700002
				19000006	4	3	●	size 30 (3)		
				19000017	4	3	▼	size 30 (3)		
	G 3/8	1750	26290353 + 1 x	18900001	3,5	2,5	●	size 22 (2)	single (side)	35700002
				19000006	4	3	●	size 30 (3)		
				19000017	4	3	▼	size 30 (3)		
	G 1/2	3000	26690018 + 1 x	19000006	4	3	●	size 30 (3) form A	single (side)	35700014
				19000017	4	3	▼			
				19201002	6	5	●			
				19201003	6	5	▼			

+	l/min	code	qty	code	VA	W	(M)	connector
---	-------	------	-----	------	----	---	-----	-----------

3/2 NC - solenoid air operated - threaded body - spring return



	G 3/8	4500	28490040 + 1 x	19000006	4	3	●	size 30 (3)
				19000017	4	3	▼	
	G 1/2	6000	28490041 + 1 x	19000006	4	3	●	size 30 (3)
				19000017	4	3	▼	
	G 3/4	12500	28590238 + 1 x	19000006	4	3	●	size 30 (3)
				19000017	4	3	▼	
	G 1	12500	28590239 + 1 x	19000006	4	3	●	size 30 (3)
				19000017	4	3	▼	
	G 1 1/2	35000	28690026 + 1 x	19000006	4	3	●	size 30 (3)
				19000017	4	3	▼	

3/2 NO - solenoid air operated - threaded body - spring return

	G 1/2	6000	28490043 + 1 x	19000006	4	3	●	size 30 (3) form A
				19000017	4	3	▼	
				19201002	6	5	●	
				19201003	6	5	▼	

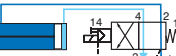
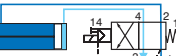
+	l/min	code	qty	code	VA	W	(M)	connector	type	code
---	-------	------	-----	------	----	---	-----	-----------	------	------

4/2 - solenoid air operated - subbase mounted - spring return

	G 1/4	700	26190069 + 1 x	18900001	3,5	2,5	●	size 22 (2)	single (side)	35700003
				19000017	4	3	▼	size 30 (3)		
	G 3/8	1750	26290354 + 1 x	18900001	3,5	2,5	●	size 22 (2)	single (side)	35700004
				19000017	4	3	▼	size 30 (3)		

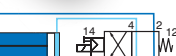
+	l/min	code	qty	code	VA	W	(M)	connector
---	-------	------	-----	------	----	---	-----	-----------

4/2 - solenoid air operated - subbase mounted - spring return

	G 1/2	3000	26690017 + 1 x	19000017	4	3	▼	size 30 (3)	single (side)	35700018
				19201002	6	5	●	size 30 (3)		
	1	9100	26790013 + 1 x	18900001	3,5	2,5	●	size 22 (2)	single (side)	35700020
				19000017	4	3	▼	size 30 (3)		

+	l/min	code	qty	code	VA	W	(M)	connector
---	-------	------	-----	------	----	---	-----	-----------

4/2 - solenoid air operated - instant fittings / threaded - spring return

	2-4: instant fittings		+ 1 x	18900001	3,5	2,5	●	size 22 (2) form B	
	Ø 6 mm O.D.								26390005
	1-3: G 1/8								
	G 1/8	210							26390002
G 1/4	840	26490026							

(M) Manual operator ● : with maintained manual operator ▼ : with impulse manual operator

(1) When ordering, please specify in addition to the code: the type of current, voltage / frequency

(2) DIN 43650, 11 mm, industry standard B (3) ISO 4400 / EN 175301-803, form A

(4) These subbases can be directly mounted on symmetrical EN 50022 - AFNOR NF C63015 standard rail using 1 mounting clip

(clips sold in packets of 10 - code: 33400036)

POPPET VALVES

OPTIONS AND ACCESSORIES

Module with 2 joinable flow regulators, for:

- valve 263 (G 1/8) - code: **34600209**
- valve 264 (G 1/4) - code: **34600109**

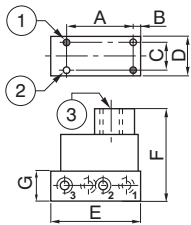


DIMENSIONS

series 261-262

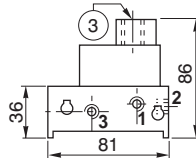
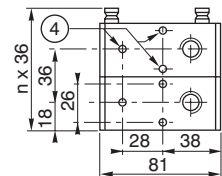
Air operated 3/2 valves

valves 261-262 on single subbase

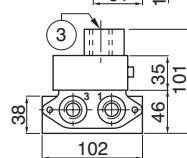
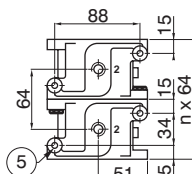


Ports
1 : Pressure
2 : Outlet
3 : Exhaust

valve 261 on joinable subbases

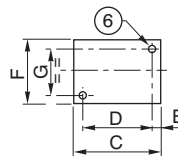


valve 262 on joinable subbases

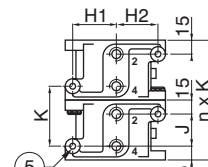


Air operated 4/2 valves

valves 261-262 on single subbase



valve 261-262 on joinable subbases



Ports
1 : Pressure
2 : Outlet
4 : Outlet
3 : Exhaust

series	3/2 - dimensions (mm)					
	A	B	C	D	E	G
261	52	5	20	30	70	22
262	60	6	38	50	82	30

n = number of subbases

series	4/2 - dimensions (mm)													
	A	B	C	D	E	F	G	H1	H2	J	K	L	M	N
261	92	32	63	49	5,5	56	43	41	39	26	56	96	29	94
262	100	45	84	64	7	60	46	44	44	34	64	101	38	102

- ① 2 mounting holes \varnothing 5,5 mm (series 262)
- ② 2 mounting holes \varnothing 4,5 mm (series 261)

- ③ pilot port: G 1/4
- ④ 3 mounting holes \varnothing 4,5; spot facing \varnothing 7,5; prof. 6 mm

- ⑤ 2 mounting holes \varnothing 7 mm
- ⑥ 2 mounting holes \varnothing 5,5 (series 261), \varnothing 6,5 (series 262)

Series 266-267

Air operated

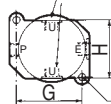
2 outlet ports \varnothing A
(2 connection possibilities)

pilot port: G 1/4

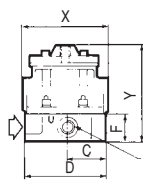
\varnothing 76

74
56
-1/2"

2 ports \varnothing A



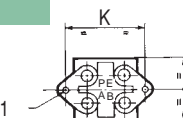
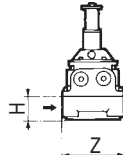
mounting holes:
2 x \varnothing M



series	266		267	
	\varnothing A	G 1/2	G 1	
C	48,5	93,5		
D	92	164		
F	34	55		
G	76	144		
H	62	68		
I	18	25		
J	78	88		
K	9	12		
\varnothing M	2 \varnothing 9	2 \varnothing 11		
X	100	133		
Y	116	153		

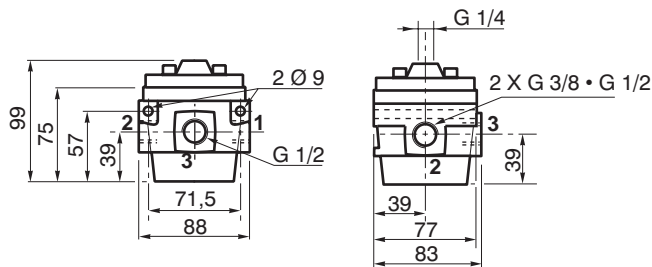
Solenoid air operated

2 x \varnothing 11



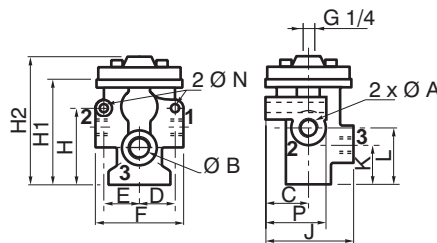
series	266		267	
	\varnothing C	G 1/2	G 1	
F	57	82		
G	26	35		
H	45	63		
J	20	20		
K	133	170		
L	63	78		
X	162	198		
Y	205	238		
Z	111	130		

Series 284



pipe size	\varnothing A	\varnothing B	C	D	E	F	H	H1	H2	J	K		L	N	P
											NF	NO			
3/4	G 3/4	G 1	39	43,5	39	113	91	126	150	92	88	45	67	9	62
1	G 1	G 1	39	43,5	39	113	91	126	150	92	88	45	67	9	62
1 1/2	G 1 1/2	G 1 1/2	46	66,5	52	165	130	207	231	124	124	64	94	13	78

Series 285

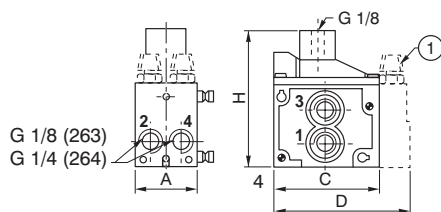


POPPET VALVES

DIMENSIONS

Air operated 4/2 valves

Valves 263-264



G 1/8 (263)
G 1/4 (264)

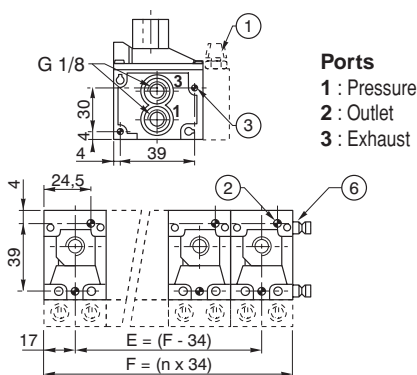
series dimensions (mm)

series	A	C	D	H
263	34	46,5	76	66
264	45	68	90	87

n = number of subbases

- ① module with 2 flow regulators
- ② 2 upper mounting holes \varnothing 4,2 X 50
- ③ 2 side mounting holes \varnothing 4,2 X 34

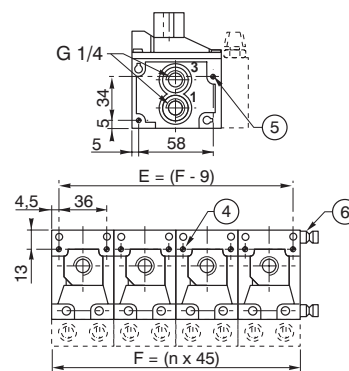
Valve 263 on joinable subbases



Ports
1 : Pressure
2 : Outlet
3 : Exhaust

- ④ 2 upper mounting holes \varnothing 5,5 X 60
- ⑤ 2 side mounting holes \varnothing 5,5 X 45
- ⑥ the valves are supplied with seals, screws and diabolos for joinable subbase mounting

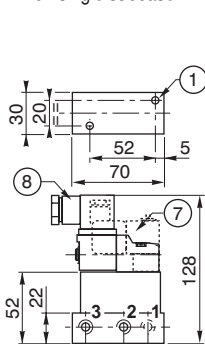
Valve 264 on joinable subbases



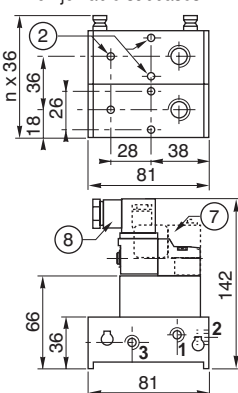
Solenoid air operated 3/2 valves

valve 261

on single subbase

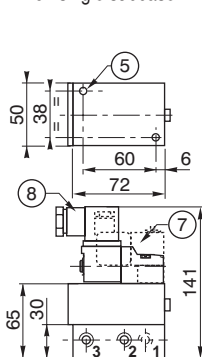


on joinable subbases

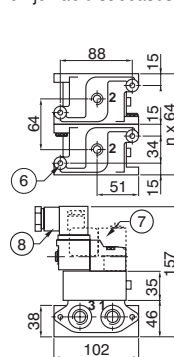


valve 262

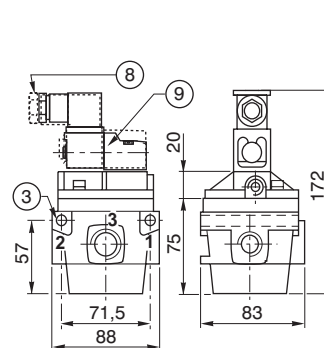
on single subbase



on joinable subbases



valve 284



- ① 2 mounting holes \varnothing 4,5 mm
- ② 3 mounting holes \varnothing 4,5; spot facing \varnothing 7,5; prof. 6 mm
- ③ 2 side mounting holes \varnothing 9 mm

- ⑤ 2 mounting holes \varnothing 5,5 mm
- ⑥ 2 mounting holes \varnothing 7 mm
- ⑦ pilot 189

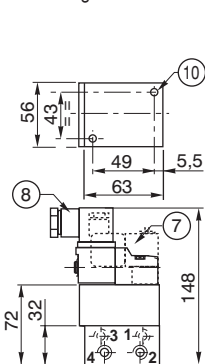
- ⑧ pilot 190
- ⑨ pilot 192
- n = number of subbases

Ports
1 : Pressure
2 : Outlet
3 : Exhaust

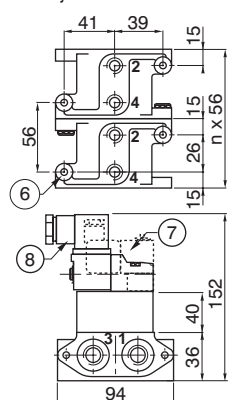
Solenoid air operated 4/2 valves

valve 261

on single subbase

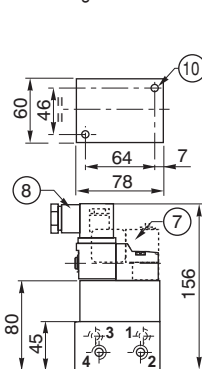


on joinable subbases

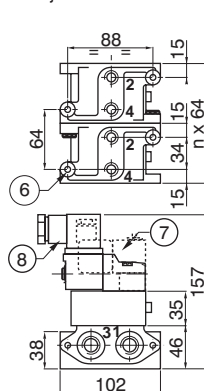


valve 262

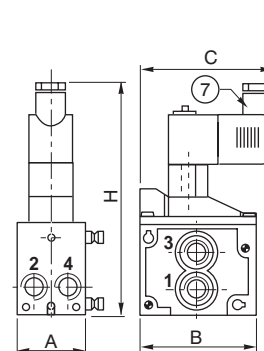
on single subbase



on joinable subbases



valves 263 - 264



- ⑥ 2 mounting holes \varnothing 7 mm
- ⑦ pilot 189
- ⑧ pilot 190
- ⑩ 2 mounting holes \varnothing 5,5 (series 261), \varnothing 6,5 (series 262)

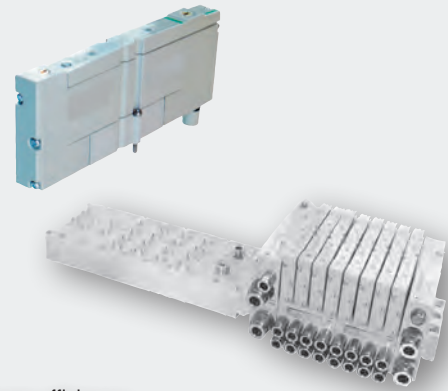
Ports
1 : Pressure
2 : Outlet
3 : Exhaust
4 : Outlet

Valves arranged in joinable manner:
see top of page

series	dimensions (mm)			
	A	B	C	H
263	34	46,5	65	117
264	45	68	80	138

2x3/2 - 5/2 - 5/3 PLUG IN SPOOL VALVES

501 series (400 l/min)
503 series (1400 l/min)
solenoid air operated



Fluids	air or inert gas
Operating pressure	refer to selection table
Flow (Qv at 6 bar) (ANR)	refer to selection table
Body	Zamak, E-coating treatment
Distribution seals	NBR [+ PUR (rubber packed)]
Other seals	NBR (Nitrile) + FPM
Other materials	PA (Polyamide) and PAM (polyarylamide) GF 50% (glass fiber reinforced)
Standard voltages	DC (=) 24V

- Increased energy efficiency
- High flow in compact package
- Modular design for easy configuration
- Optimised energy consumption via Pressure regulators
- Optimised machine cycle rate via speed controls
- Pressure isolation of individual valves for easy maintenance
- G3 and 580 Fieldbus compatible

YOUR SELECTION

[2D/3D CAD models](#) - In 3D

How to Order

Valves

15-DIGIT PRODUCT CODE

R **501** **A** **2** **B** **4** **0** **M** **A00** **F1**

Thread connection
R = Pad mount

Product series
501 (11 mm valve)
503

Revision letter
A = Initial release

Actuation
2 = Rubber packed

Valve type
B = Solenoid pilot

Function
A = 2x3/2 NO, dual 3-way
D = 2x3/2 NC, dual 3-way
C = 2x3/2 NC x NO, dual 3-way (for 501)
F = 2x3/2 NO x NC, dual 3-way (for 501)
N = 5/2, Differential air return
1 = 5/2, spring return
4 = 5/2, solenoid air return
5 = 5/3, W3, open center to exhaust
6 = 5/3, W1, center closed
7 = 5/3, W2, open center to pressure

Voltage - class
F1 = 24 V DC - class F


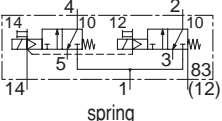
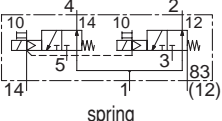
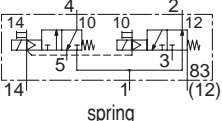
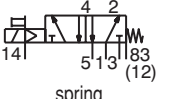
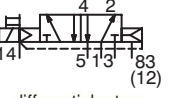
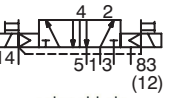
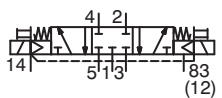
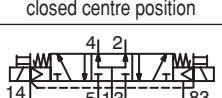
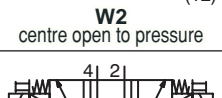
Options
A00 = With impulse manual operator
11B = With maintained manual operator

Electrical interface
M = Plug-in (with LED indicator / DC)

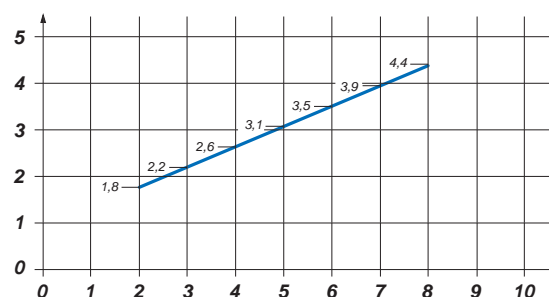
PLUG IN SPOOL VALVES - 501 Series

YOUR SELECTION

2D/3D CAD models - In 3D

function	type	symbol pilot (14) return (12)	rated flow		response time open / closed (ms)	pilot pressure at 23°C (bar)		operating pressure port 1		15-DIGIT PRODUCT CODE  External pilot	
			at 6,3 bar ΔP 1 bar l/min (ANR)			min.	max. (PS) air (*)				
			1 → 2 1 → 4	2 → 3 4 → 5				=			
SPOOL VALVE, RUBBER PACKED TECHNOLOGY, WITH IMPULSE MANUAL OPERATOR - A00 & PUSH / TURN - 11B											
2 x 3/2 NC	K	 spring	405	415	18 / 18	(a)	8	2	8	R501A2BD0MA00F1 R501A2BD0M11BF1	
2 x 3/2 NO	N	 spring	400	400	18 / 18	(a)	8	2	8	R501A2BA0MA00F1 R501A2BA0M11BF1	
2 x 3/2 NC - NO	H	 spring	460 450	470 450	18 / 18	(a)	8	2	8	R501A2BC0MA00F1 R501A2BC0M11BF1	
5/2	S	 spring	405	410	14 / 29		2	8	-0,95	8	R501A2B10MA00F1 R501A2B10M11BF1
	M	 differential return	405	410	25 / 21		2	8	-0,95	8	R501A2BN0MA00F1 R501A2BN0M11BF1
	J	 solenoid air	405	410	11 / 11		2	8	-0,95	8	R501A2B40MA00F1 R501A2B40M11BF1
5/3	G	 W1 closed centre position	405	410	13 / 12		2	8	-0,95	8	R501A2B60MA00F1 R501A2B60M11BF1
	B	 W2 centre open to pressure	405	360	17 / 38		2,5	8	-0,95	8	R501A2B70MA00F1 R501A2B70M11BF1
	E	 W3 centre open to exhaust	365	415	27 / 12		2	8	-0,95	8	R501A2B50MA00F1 R501A2B50M11BF1


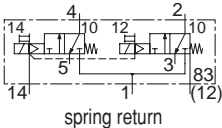
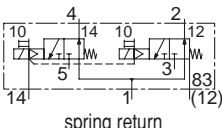
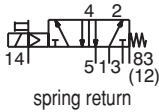
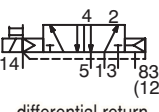
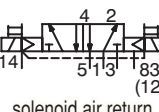
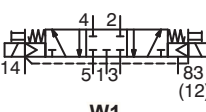
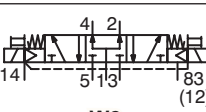
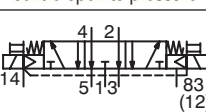
Pp = Pilot pressure



PLUG IN SPOOL VALVES - 503 Series

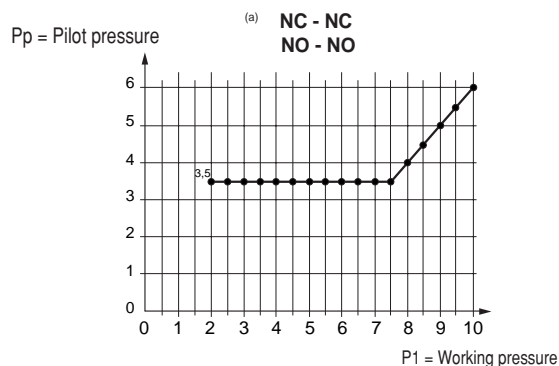
YOUR SELECTION

2D/3D CAD models - In 3D

function	symbol pilot (14) return (12)	rated flow at 6,3 bar ΔP 1 bar l/min (ANR)		response time open / closed (ms)	pilot pressure at 23°C (bar)		operating pressure port 1 (bar)		dimensions / type ⁽¹⁾	 External pilot	15-DIGIT PRODUCT CODE
		1 → 2 1 → 4	2 → 3 4 → 5		min.	max.	min.	max. (PS) air (*)			=
SPOOL VALVE, RUBBER PACKED TECHNOLOGY, WITH IMPULSE MANUAL OPERATOR (EXTERNAL SUPPLY) - A00 & PUSH / TURN - 11B											
2 x 3/2 NC	 spring return	900	800	15 / 20	3,5 ^(a)	8	2	8	01	R503A2BD0MA00F1 R503A2BD0M11BF1	
2 x 3/2 NO	 spring return	900	900	15 / 20	3,5 ^(a)	8	2	8	01	R503A2BA0MA00F1 R503A2BA0M11BF1	
5/2	 spring return	1200	1100	20 / 60	3	8	-0,95	8	01	R503A2B10MA00F1 R503A2B10M11BF1	
	 differential return	1200	1100	28 / 40	3	8	-0,95	8	01	R503A2BN0MA00F1 R503A2BN0M11BF1	
	 solenoid air return	1200	1100	20	2	8	-0,95	8	01	R503A2B40MA00F1 R503A2B40M11BF1	
5/3	 W1 closed centre position	1200	1100	15 / 20	3	8	-0,95	8	01	R503A2B60MA00F1 R503A2B60M11BF1	
	 W2 centre open to pressure	1100	600	18 / 45	3	8	-0,95	8	01	R503A2B70MA00F1 R503A2B70M11BF1	
	 W3 centre open to exhaust	600	1100	18 / 45	3	8	-0,95	8	01	R503A2B50MA00F1 R503A2B50M11BF1	

⁽¹⁾ For dimensions, see drawing(s) for each construction type on the following page(s).

(*) Ensure that the compatibility of the fluids in contact with the materials is verified.

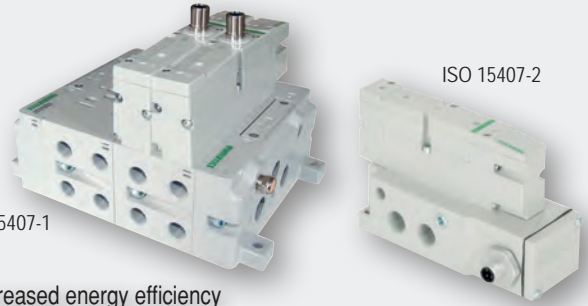


2x3/2 - 5/2 - 5/3 SPOOL VALVES

503 series - solenoid air operated

ISO 15407-1 (26 mm) M12 on the top

ISO 15407-2 (26 mm) M12 in mounting



	ISO 15407-1	ISO 15407-2
Fluids	air or inert gas, filtered, lubricated or not	
Operating pressure	2 to 10 bar (2x3/2) -0,95 to 10 bar (5/2-5/3)	2 to 8 bar (2x3/2) -0,95 to 8 bar (5/2-5/3)
Pilot pressure	3,5 to 10 bar (2x3/2) 2 to 10 bar (5/2 rubber solenoid air return) 3 to 10 bar (others)	3,5 to 8 bar (2x3/2) 2 to 8 bar (5/2 rubber solenoid air return) 3 to 8 bar (other)
Ambient temperature	-10°C to +50°C	
Flow (Qv at 6 bar) (ANR)	refer to selection table	
Body	Aluminium, E-coating treatment	
Distribution seals	NBR [+ PUR (rubber packed)]	
Other seals	NBR + FPM	
Other materials	PAA (polyarylamide)	
	GF 50% (glass fiber reinforced)	
Standard voltages DC (=)	24V	

ISO 15407-1

ISO 15407-2

- Increased energy efficiency
- High flow in compact package
- Modular design for easy configuration
- Optimised energy consumption via Pressure regulators
- Optimised machine cycle rate via speed controls
- Pressure isolation of individual valves for easy maintenance
- G3 and 580 Fieldbus compatible

YOUR SELECTION (ISO 15407-1)

[2D/3D CAD models - In 3D](#)

function	symbol	rated flow at 6,3 bar l/min (ANR)	response time open / closed (ms)	15-DIGIT PRODUCT CODE	
				ISO 15407-1 spool valves	internal supply impulse manual. operator
2 x 3/2 NC		900 800	15 / 20	R503A2BD0N82PF1	
5/2		1200 1100	20 / 60	R503A2B10N82PF1	
		1200 1100	20	R503A2B40N82PF1	
5/3		1200 1100	15 / 20	R503A2B60N82PF1	
		1100 600	18 / 45	R503A2B70N82PF1	
		600 1100	18 / 45	R503A2B50N82PF1	

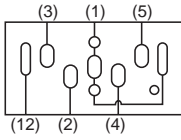
(a) 3,5 bar for a pressure supply (P1) ≤ 7,5 bar (if > 7,5 bar, Pmin. = P1 - 4 b)

SPOOL VALVES ISO 15407-2 / ISO 15407-1 - 26 mm

YOUR SELECTION (ISO 15407-1)

function	function	thread type	15-DIGIT PRODUCT CODE
----------	----------	-------------	-----------------------

Single subbase - M12 connector (on top of the valve)



internal supply

1-2-3-4-5 = 5 x 3/8
12 = 1/8 (pilot exhaust 83)

G

G503AA3A30A0030

Joinable subbase (manifold base) - M12 connector (on top of the valve)



one manifold base for 2 stations valve
side ports, 4 x 1/4(max. 32 stations)

G

G503AMV220A0030

End plate kits



horizontal supply

3 x 3/8 (1/3/5 ports), 2 x 1/8 (12/14 ports)
(internal supply configuration)

G

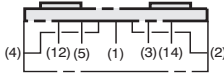
G503AK428304004

Blank station plate kit



Used to block off a manifold station block
for future use

P503AB428359001



OPTIONS AND ACCESSORIES

type	Pressure regulator - (pressure range 0,7 to 10 bar)	ISO 15407-1	ISO 15407-2
RS	<p>.....RS...A00.</p>	R503ARS120A0030	R503ARS12JA0020
RD	<p>.....RD...A00..</p>	R503ARD120A0030	R503ARD12JA0020

SPOOL VALVES ISO 15407-2 / ISO15407-1

OPTIONS AND ACCESSORIES

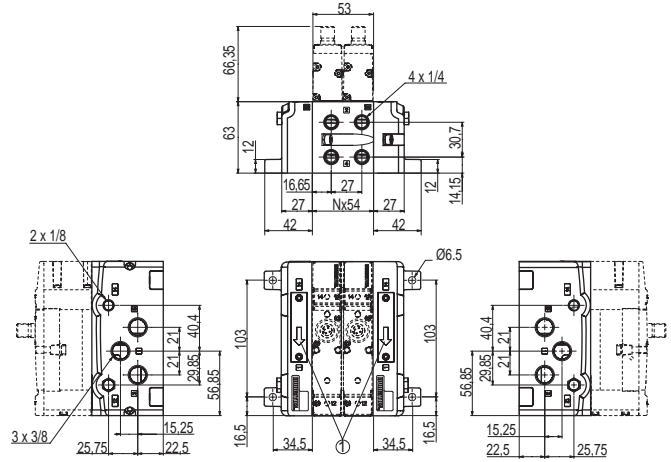
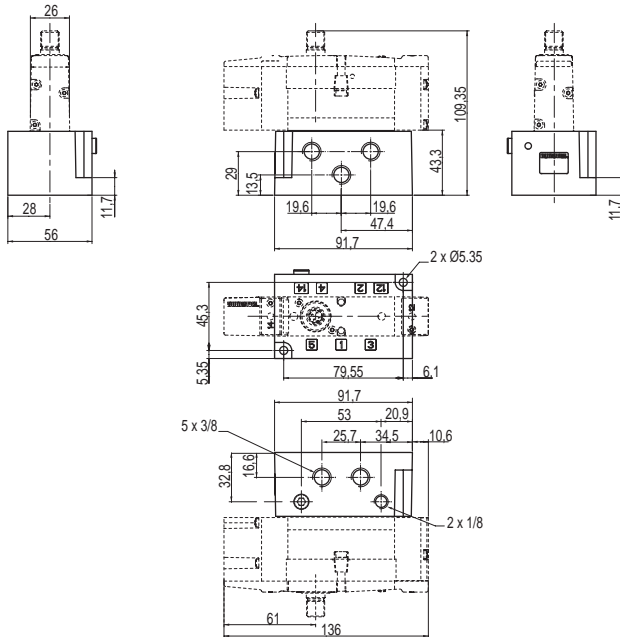
Sandwich regulators:
See page 72

DIMENSIONS

Valves (ISO 15407-1 26 mm) - M12 on the top

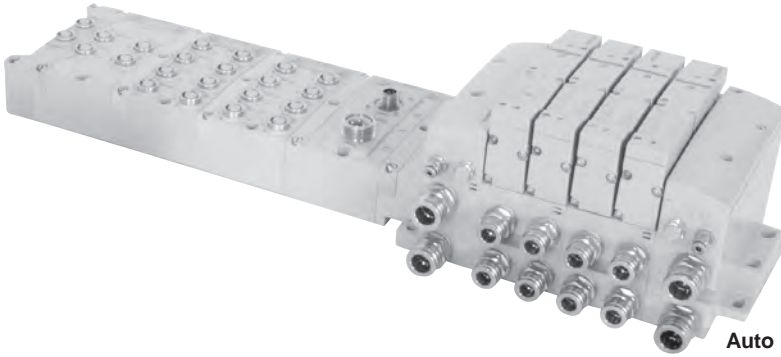
Single subbase

Joinable subbase (manifold base)



- Ports**
- 1 : Pressure
 - 2-4 : Outlet
 - 3-5 : Exhaust
 - 12 : Return

G3 Electronic displays its innovations !

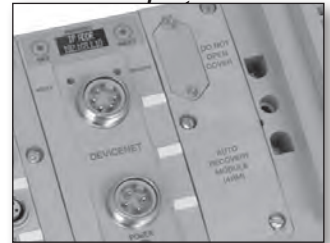


Innovative Graphic Display is used for easy commissioning, visual status & diagnostics

Graphic Display for configuration & diagnostics



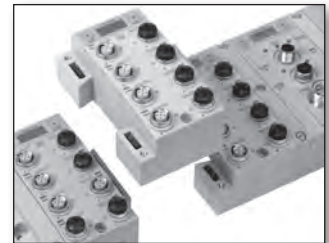
Raccordement simple et



Auto Recovery Module



Highly Distributable



Commissioning Capabilities

- Set network address
- Set baud rate
- Set auto or manual I/O sizes
- Set fault/idle output states
- Set brightness
- Set factory defaults

Visual Diagnostics

- Shorted and open load detection
- Shorted sensor/cable detection
- Low & missing power detection
- Missing module detection
- Self-test activation
- Log of network errors / Distribution errors

DESCRIPTION	REPLACEMENT PART NUMBER
PROFINET communications module (node)	240-240
EtherNet/IP™ DLR communications module (node)	240-325
PROFIBUS-DP® communications module (node) DPV0/DPV1	240-239
POWERLINK communications module (node)	240-309
CANopen® communications module (node)	240-291
Modbus TCP communications module (node)	240-292
5 pins M12 Inputs 16 Inputs PNP	240-205



Ethernet/IP™



ETHERNET POWERLINK

CANopen®

MODBUS TCP

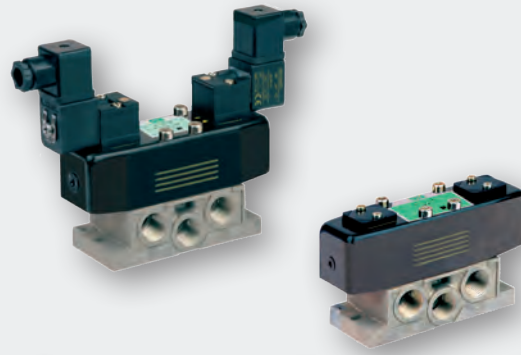


5/2 - 5/3 SPOOL VALVES

541, 542, 543 and 544 series

MULTIFUNCTION

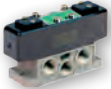

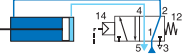
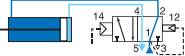


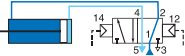
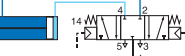

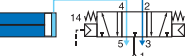
air operated or solenoid air operated
with subbase ISO 5599/1
sizes 1, 2 and 3



Series	541	542	543	544
Fluids	air or inert gas, filtered, lubricated or not			
Operating pressure	3 to 10 bar (internal pilot)		2 to 12 bar (internal pilot)	
	-0,950 to 12 bar (external pilot)			
Pilot pressure	refer to selection table			
Ambient temperature	-10°C to +60°C			
Flow (Qv at 6 bar) (ANR)	1400 l/mn	2800 l/mn	4200 l/mn	6300 l/min (G3/4 subbase) 7000 l/min (G1)
Body / Internal parts	metal cover / POM (polyacétal), light alloy			
Sealings	NBR (nitrile), PUR (polyurethane)			
Standard voltages	DC (=) 24V (M12) / DC (=) 24V - 48V AC (-) 24V - 48V - 115V - 230V / 50Hz			

- Reliable, long service life of 30 million cycles
- Flexible air pilot supply by seal selector
- Modular assembly with joinable subbases
- Side or bottom connection for subbases
- Wide range of subbases with side or bottom oriented ports
- Compact version available
- Option for ATEX zones 1/21, 2/22
- M12 connection as an option

YOUR SELECTION

	=	air operated valve			+	
		type	pilot pressure bar	flow at 6 bar (ANR) l/min		
5/2 - air operated - spring return (monostable function)						
	ISO 1	3 ... 12	1400	54101017	see page 77	
	ISO 2		2800	54202017		
5/2 - air operated - differential return (monostable function)						
	ISO 1	3 ... 12	1400	54101018	see page 77	
	ISO 2		2800	54202018		
	=				+	
5/2 - air operated - air return (bistable function)						
	ISO 1		1400	54101019	see page 77	
	ISO 2	1,5 ... 12	2800	54202019		
	ISO 4		6300/7000	54400003		-
5/3 - air operated - pressure held W1						
	ISO 1	3 ... 12	1400	54101020	see page 77	
	ISO 2		2800	54202020		
5/3 - air operated - pressure applied W2						
	ISO 1	3 ... 12	1400	54101022	see page 77	
5/3 - air operated - pressure released W3						
	ISO 1	3 ... 12	1400	54101021	see page 77	
	ISO 2		2800	54202021		

OPTIONS AND ACCESSORIES

Connector sizes 22 and 30:
see page 118


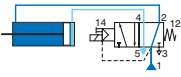
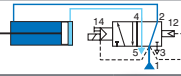
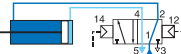
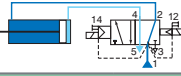
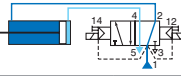
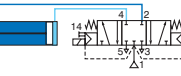
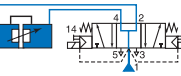



Mating surface blanking plate

88100074

MULTIFUNCTION SPOOL VALVES ISO 5599/1 - sizes 1, 2 and 3

YOUR SELECTION

 =	solenoid air operated valve				+	solenoid pilot valve (1)					+	subbase							
	type	pilot pressure bar	flow at 6 bar (ANR) l/min	code		qty	code	power ~ VA	= W	(M)		connector	code						
5/2 - solenoid air operated - spring return (monostable function)																			
	ISO 1	3...10	1400	54191023	+ 1 x	18900001	3,5	2,5	●	size 22 (2)	see page 77								
	ISO 2	2,5...10	2800	54292023		19000006	4	3	●	size 30 (3)									
	ISO 3	3...10	4200	54391023		19000017	4	3	▼	size 30 (3)									
	ISO 4	2,5...10	6300/7000	54490017	+ 1 x	19201001			×	size 30 (3)									
5/2 - solenoid air operated - differential return (monostable function)																			
	ISO 1	3...10	1400	54191024	+ 1 x	18900001	3,5	2,5	●	size 22 (2)	see page 77								
	ISO 2	2...10	2800	54292024		19000006	4	3	●	size 30 (3)									
5/2 - air operated - air return (bistable function)																			
	ISO 1	1,5...10	1400	54191025	+ 2 x	18900001	3,5	2,5	●	size 22 (2)	see page 77								
5/2 - solenoid air operated - solenoid differential return (bistable)																			
	ISO 1	3...10	1400	54191026															
5/2 - solenoid air operated - solenoid air return (bistable)																			
	ISO 1		1400	54191027															
	ISO 2	1,5...10	2800	54292027															
	ISO 3		4200	54391027															
5/3 - solenoid air operated - pressure held W1																			
	ISO 1		1400	54191028								+ 2 x	19201001			×	size 30 (3)	see page 77	
	ISO 2	3...10	2800	54292028															
	ISO 3		4200	54391028															
	ISO 4	3...12	6300/7000	54490022															
5/3 - solenoid air operated - pressure applied W2																			
	ISO 1	3...10	1400	54191030	+ 2 x	18900001	3,5	2,5	●	size 22 (2)	see page 77								
5/3 - solenoid air operated - pressure released W3																			
	ISO 1		1400	54191029															
	ISO 2	3...10	2800	54292029															

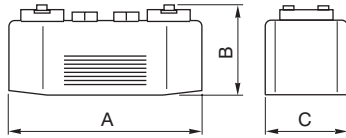
(M) Manual operator ● : with maintained manual operator ▼ : with impulse manual operator
 (1) When ordering, please specify in addition to the code: the type of current, voltage / frequency
 (2) DIN 43650, 11 mm, industry standard B (3) ISO 4400 / EN 175301-803, form A

MULTIFUNCTIONAL SPOOL VALVES AND SUBBASES ISO 5599/01 - sizes 1, 2 and 3

DIMENSIONS

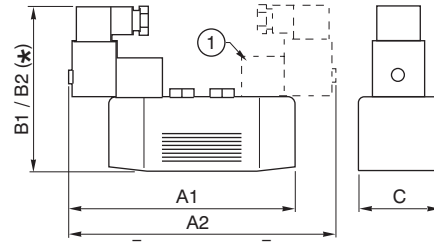
Valves

air operated



size	dimensions (mm)		
	A	B	C
ISO 1	122	51	38
ISO 2	149	53	49
ISO 4	246	78	67

solenoid air operated (189-190)

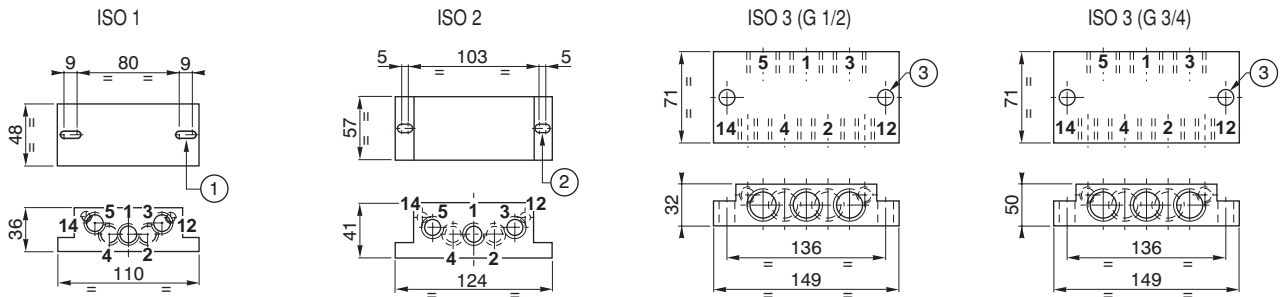


size	dimensions (mm)				
	A1	A2	B1	B2	C
ISO 1	150	178	110	115	38
ISO 2	174	198	112	117	49
ISO 3	184	184	127	133	62
ISO 4	265	284	-	147	67

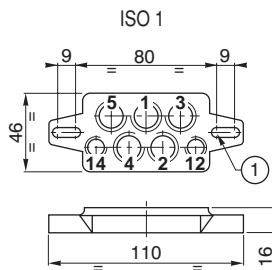
(*) B1: pilot 189 / B2: pilots 190 / 192 (series 544)

① bistable function

Single subbase - side connection



Single subbase - bottom connection



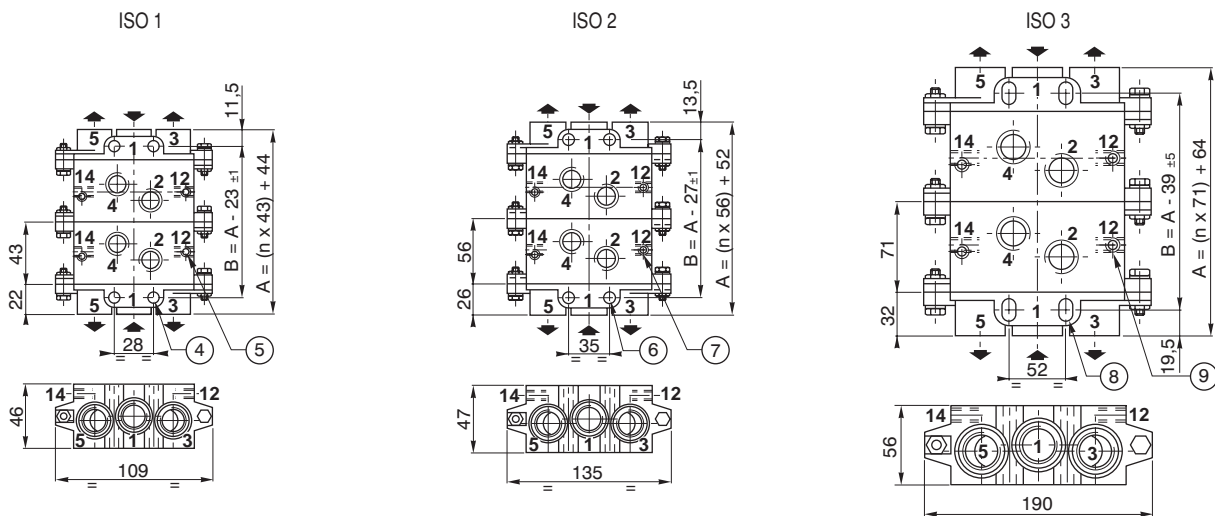
Ports

- 1 : Pressure
- 2-4 : Outlet
- 3-5 : Exhaust
- 12 : Return
- 14 : Pilot

n = number of subbases

- ① 2 mounting holes \varnothing 5,5 counterbored \varnothing 14
- ② 2 mounting holes, width 5,5
- ③ 2 mounting holes \varnothing 6,6
- ④ 4 mounting holes \varnothing 6,8
- ⑤ bottom mounting: 4 holes \varnothing M5
- ⑥ front mounting: 4 holes \varnothing 9
- ⑦ bottom mounting: 4 holes \varnothing M6
- ⑧ front mounting: 4 holes width 12
- ⑨ bottom mounting: 4 holes \varnothing M8, depth 20

Joinable metal subbases - bottom connection

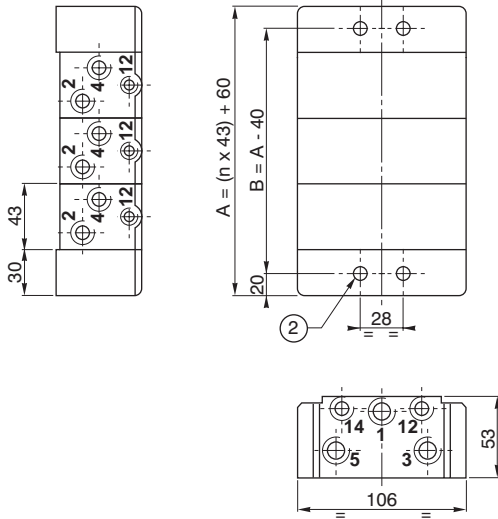


MULTIFUNCTIONAL SPOOL VALVES AND SUBBASES ISO 5599/01 - sizes 1, 2 and 3

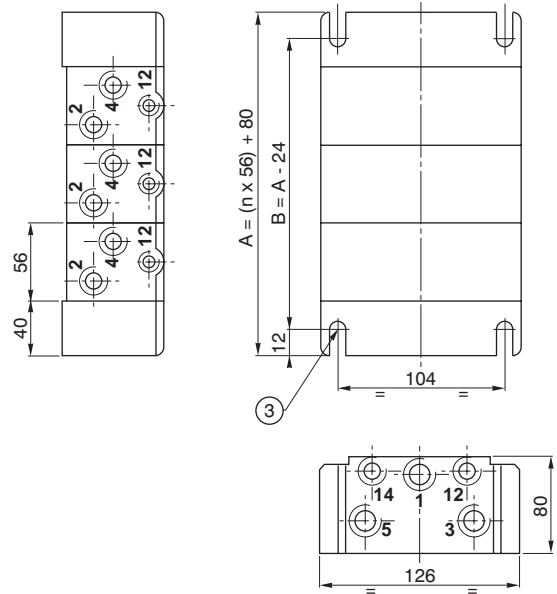
DIMENSIONS

Joinable metal subbases - side connection

ISO 1



ISO 2

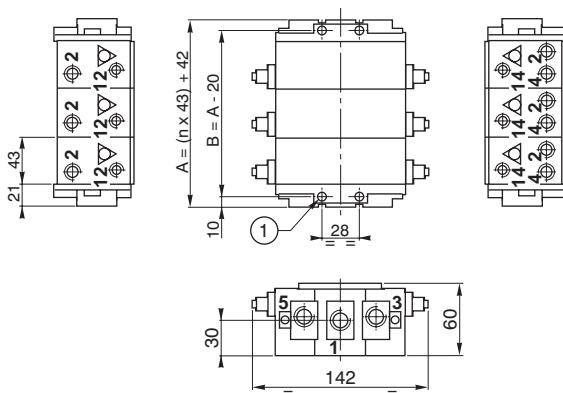


n = number of subbases

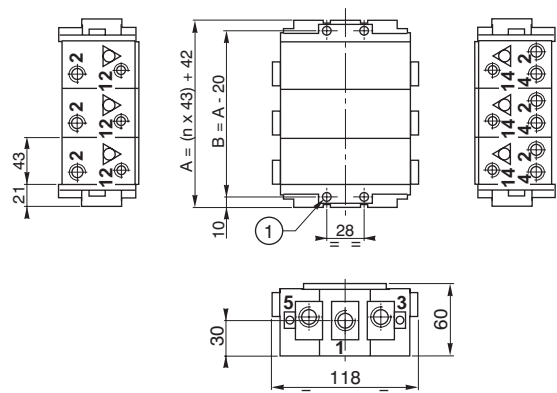
- ① 4 mounting holes \varnothing 6,5 depth 59
- ② 4 mounting holes \varnothing 7 depth 53
- ③ 4 mounting openings \varnothing 8,5 depth 72

Joinable polyamide subbases - side connection

ISO 1 with built-in flow regulators and integrated pressure indicators



ISO 1 without flow regulators and integrated pressure indicators





Ports



- 1 : Pressure
- 2-4 : Outlet
- 3-5 : Exhaust
- 12 : Return
- 14 : Pilot

SINGLE OR JOINABLE SUBBASES ISO 5599/01 - sizes 1, 2 and 3

YOUR SELECTION

	size	ports			code	
		12-14	1-2-4	3-5		
	single aluminium subbases - side connection					
	ISO 1		G 1/8	G 1/4	G 1/4	35500076
			G 1/8	G 1/4	G 3/8	35500061
			G 1/8	G 3/8	G 3/8	35500382
	ISO 2		G 1/8	G 3/8	G 3/8	35500560
			G 1/8	G 1/2	G 1/2	35500562
	ISO 3		G 1/8	G 1/2	G 1/2	35500171
			G 1/8	G 3/4	G 3/4	35500192
		single aluminium subbases - bottom connection				
ISO 1		G 1/8	G 1/4	G 1/4	35500077	
ISO 2		G 1/8	G 3/8	G 3/8	35500085	

Ports
1 : Pressure
2-4 : Outlet
3-5 : Exhaust
12 : Return
14 : Pilot

	size	composition	ports			code
			12-14	2-4	1-3-5	
	joinable aluminium subbases - bottom connection					
	ISO 1	1 subbase	G 1/8	G 1/4	-	35500165
		kit of 2 end plates	-	-	G 3/8	35500166
		blanking plate to cover interface				88135517
	ISO 2	1 subbase	G 1/8	G 3/8	-	35500169
		kit of 2 end plates	-	-	G 1/2	35500170
	ISO 3	1 subbase	G 1/8	G 1/2	-	35500173
		kit of 2 end plates	-	-	G 1	35500174
		joinable aluminium subbases - side connection				
ISO 1		1 subbase + 2 seals 1 selector plate (linking 1-3-5) 2 plugs G 1/4 1 plug G 1/8 2 assembly aids	G 1/8	G 1/4	-	35500088
		2 end plates + 2 seals 1 blank selector plate 1 selector plate (linking 1-3-5) 2 assembly aids	G 1/8	-	G 3/8	35500087
		1 subbase + 2 seals 1 selector plate (linking 1-3-5) 2 plugs G 1/2 1 plug G 1/8 2 assembly aids	G 1/8	G 1/2	-	35500102
ISO 2		2 end plates 1 blank selector plate 3 plugs G 3/4 + 2 plugs G 1/8 2 assembly aids	G 1/8	-	G 3/4	35500101

OPTIONS AND ACCESSORIES

Sandwich flow regulator: ISO size 1
34600476

MINI SPOOL VALVES

519, 520 and 521 series

3/2 - 5/2 - 5/3


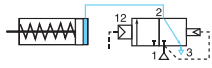

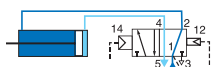

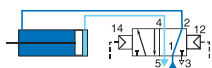

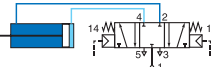
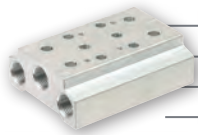

air operated or solenoid air operated
 threaded Ø M5 - 1/8 - 1/4
 or instant fittings Ø 6



Series	519	520	521
Fluids	air or inert gas, filtered, lubricated or not		
Operating pressure	1,5 to 8 bar		
Pilot pressure	1,5 to 8 bar		
Ambient temperature	+5°C to +50°C		
Orifice	2,5 mm	4 mm	6 mm
Flow (Qv at 6 bar) (ANR)	175 l/min	600 l/min (3/2: 400 l/min)	1050 l/min
Body	light alloy and covers made of acetal resin (POM)		
Internal parts	5/2-5/3 3/2	stainless steel, light alloy and acetal resin (POM) brass and polyacetal (POM)	
Sealings	NBR (nitrile)		
Standard voltages	DC (=) 24V AC (~) 24V, 115V, 230V - 50/60Hz		

- Mini spool valve, ideal for piloting pneumatic cylinders
- Can be mounted on joinable subbase for manifold applications
- 519: M5 threaded body;
- 520: G 1/8 threaded body;
- 521: G1/4 threaded body

YOUR SELECTION

	Ø M5	spool valve G1/8	G1/4	subbase
3/2 NC - air operated - differential return (monostable function)				
	-		52000376	-
5/2 - air operated - differential return (monostable function)				
	-		52000077	52100077 see below
5/2 - air operated - air return (bistable function)				
	51900078		52000078	52100078 see below
5/3 - air operated - pressure held W1				
	-		52000079	52100079 see below
number of joinable subbases				
	2	35500324	35500333	35500342
	3	-	35500334	35500343
	4	-	35500335	35500344
	5	-	35500336	35500345
	6	-	35500337	35500346
	7	-	35500338	-
	8	-	35500339	-
	10	-	35500341	-
	blanking plate			
	-	88135527	88135528	
	flange with instant fittings			
	-	88135532	-	

2017/R01
 Availability, design and specifications are subject to change without notice. All rights reserved.

MINI SPOOL VALVES

YOUR SELECTION

		spool valve			solenoid pilot valve				connector	subbase	
		Ø M5	G1/8	G1/4	type	voltage V	power VA	W			(M)
5/2 - solenoid air operated - spring return (monostable function)											
		-	52000386	-	integral	24 ~	2	-	●/▼	size 15 (1)	see previous page
			-	52000380	-	integral	24 =	-	1,6		
5/2 - solenoid air operated - differential return (monostable function)											
		51900002	52000002	52100002	integral	24 ~	2	-	●/▼	size 15 (1)	see previous page
		51900004	52000004	52100004	integral	230 ~	2	-	●/▼		
		51900001	52000001	52100001	integral	24 =	-	1,6	●/▼		
		-	52000003	52100003	integral	115 ~	2	1,5	●/▼		
5/2 - solenoid air operated - solenoid air return (bistable)											
		52000006	52100006	-	integral	24 ~	2	-	●/▼	size 15 (1)	see previous page
		52000007	-	-	integral	115 ~	2	1,5	●/▼		
		52000008	52100008	-	integral	230 ~	2	-	●/▼		
		51900005	52000005	52100005	integral	24 =	-	1,6	●/▼		
5/3 - solenoid air operated - pressure held W1											
		-	52000010	52100010	integral	24 ~	2	-	●/▼	size 15 (1)	see previous page
			52000009	52100009	integral	24 =	-	1,6	●/▼		
5/3 - solenoid air operated - pressure released W3											
			52000090	52100090	integral	24 =	-	1,6	●/▼		
		ports 1-3	port 2	spool valve	type	voltage V	power VA	W	(M)	connector	subbase
3/2 NC - solenoid air operated - differential return (monostable function)											
		inst. fitting Ø 6 O.D.	subbase mounted	52000209	integral	24 =	-	1,6	●/▼	size 15 (1)	see previous page
			-	threaded	52000193	integral	24 =	-	1,6		
		threaded G 1/8	-	52000196	integral	230 ~	2	1,5	●/▼		
			subbase mounted	52000189	integral	24 =	-	1,6	●/▼		
			-	52000192	integral	230 ~	2	1,5	●/▼		

(M) Manual operator ●/▼ : with impulse /maintained manual operator (1) DIN 43650, 9,4 mm, form C

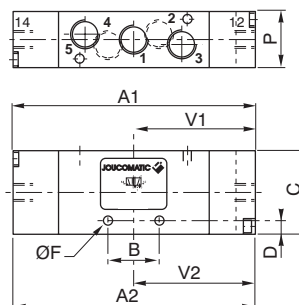
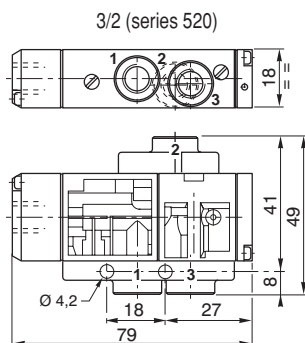
OPTIONS AND ACCESSORIES

Visualisation and electrical protection module
24V = / ~, code: **88130401**



DIMENSIONS

Valves - air operated



5/2

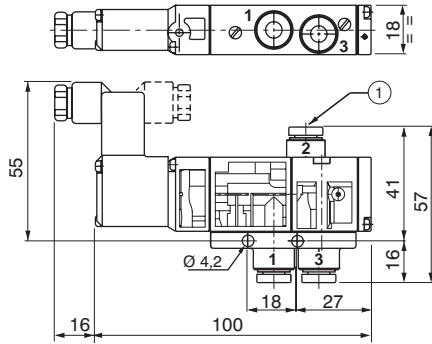
		dimensions (mm)		
		519	520	521
(monostable)	A1	55,5	76	91,5
(bistable)	A2	61	85	100
	B	11	15	22
	C	26	27	31
	D	4	6	6,5
	ØF	3,3	3,3	4,3
	P	15	18	22
	V1	25	33,5	41,5
	V2	30,5	42,5	50

MINI SPOOL VALVES AND JOINABLE SUBBASES

DIMENSIONS

Valves - solenoid air operated

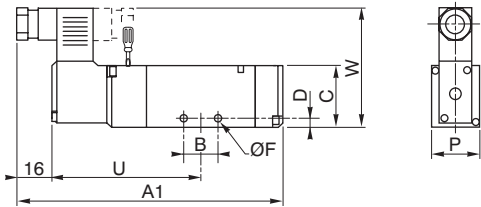
3/2 (series 520)



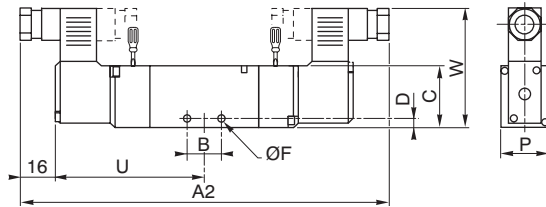
① 3 instant fittings for flexible tube \varnothing 6 O.D.

Ports
 1 : Pressure
 2 : Outlet
 3 : Exhaust

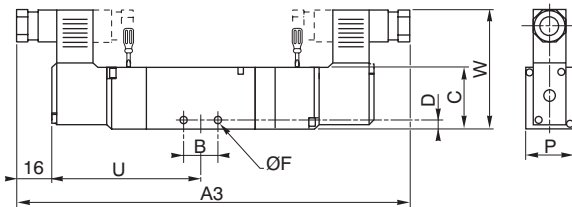
5/2 - differential return (monostable function)



5/2 - solenoid air return (bistable function)




5/3 - pressure held W1
 5/3 - pressure released W3



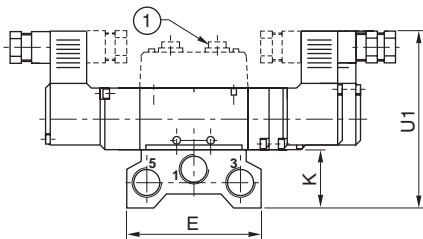
dimensions (mm)

	A1	A2	A3	B	C	D	F	P	U	W
519	97,5	145	153	11	26	4	3,3	15	56,5	52
520	114	161,5	170,3	15	27	6	3,3	18	64,8	54,5
521	131,3	179,5	188,3	22	31	6,5	4,3	22	73,7	56,5

Ports
 1 : Pressure
 2-4 : Outlet
 3-5 : Exhaust
 : manual operator

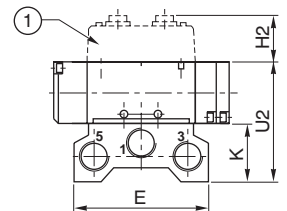
Joinable subbases

solenoid air operated



- ① Connection flange for ports 2-4 with instant fittings for flexible tubing \varnothing 4 mm O.D. (519), \varnothing 6 mm O.D. (520) and pressure indicators
- ② blanking plate for subbase

air operated

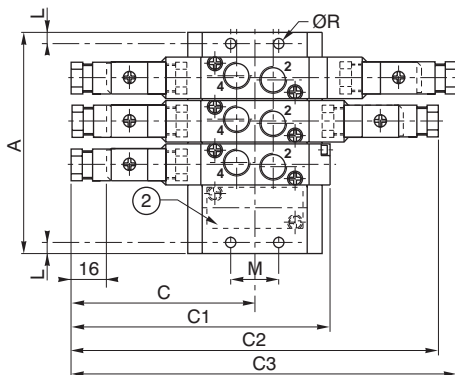


dimensions (mm)

number of valves	519	520	521
A	519	520	521
2	59	59	77
3	75	78	100
4	91	97	123
5	107	116	146
6	123	135	169
7	139	154	192
8	155	173	215
10	187	211	261

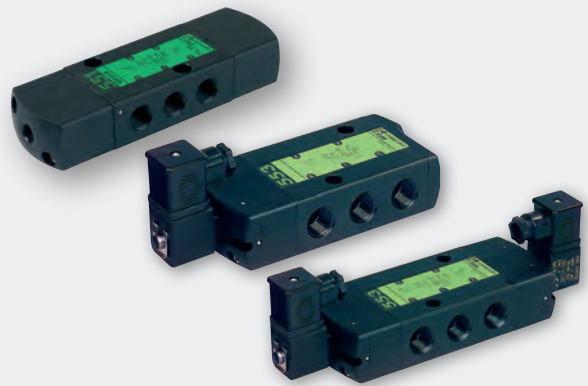
dimensions (mm)

	519	520	521
(monostable) C	72,5	80,7	89,7
(5/2) C1	97,5	114,2	131,2
(5/3) C2	145	161,5	179,5
C3	30,5	42,5	50
C4	55,5	76	91,5
C5	61	85	100
E	46	59	74
H2	15	23	-
K	20	25	30
L	9	5	7
M	16	21	26
R	4,5	4,5	5,5
U1	72	80	87,5
U2	46	52,5	62



3/2-5/2-5/3 SPOOL VALVES

551 series
 threaded G 1/4
 integral pilots
 air operated
 or solenoid air operated
 threaded or with Namur interface



Fluids	air or inert gas, filtered, lubricated or not
Operating pressure	2 to 10 bar or 2 to 8 bar (CNOMO pilot versions)
Pilot pressure	internal piloting or 2 to 10 bar (external piloting)
Ambient temperature	-25°C to +60°C
Flow (Qv at 6 bar) (ANR)	860 l/min (700 l/min for Namur versions)
Body	black anodised aluminium
Internal parts	zamak, stainless steel, POM (polyacetal), aluminium
End plates	PA (polyamide), glass-fibre reinforced
Sealings	NBR (nitrile) + PUR (polyurethane)
Standard voltages DC (=)	24V-48V
AC (~)	24V-48V-115V-230V/50Hz

- Resistance to harsh environments thanks to its "non-breathing" design, and tapped and Namur construction
- Reliable spool valve technology for continuous process availability
- Aluminium, brass and 316L stainless steel body options, making it suitable for all extremes of environment
- Low power construction for more efficiency
- Wide temperature range: -40°C to +80°C
- Wide explosion proof solenoid offering
- Global certification, including ATEX, CUTR, UL, SIL, and more

YOUR SELECTION


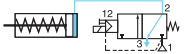

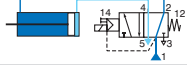

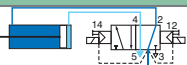


		code G 1/4
3/2 NC - air operated - spring return (monostable function)		
		G551A105
3/2 NC - air operated - air return (bistable function)		
		G551A106
5/2 - air operated - spring return (monostable function)		
		G551A117
5/2 - air operated - air return (bistable function)		
		G551A118

number of valves	code G 1/4	
	standard supply rail	Supply rail with isolation valve:
2	88100034	-
3	88100035	-
4	88100036	-
5	88100037	-
6	88100038	88100919
8	-	88100921
G 1/4		
set of brackets (pair)		
88100049*		

*brackets and fittings included

3/2-5/2-5/3 SPOOL VALVES

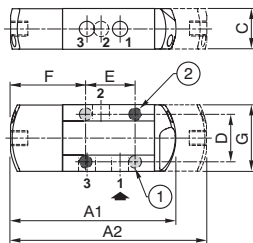
YOUR SELECTION

integral pilot versions for actuator piloting	code (1)	solenoid pilot valve				standard voltages (V)						
		~ VA	= W	(M)	connector	AC (~) / 50Hz				DC (=)		
		24	48	115	230	24	48					
 3/2 NC - solenoid air operated - spring return (monostable function)	 55102005	3,5	2,5	●	size 22 (2)	✓	✓	✓	✓	✓	✓	✓
 5/2 - solenoid air operated - spring return (monostable function)	 55102009	3,5	2,5	●	size 22 (2)	✓	✓	✓	✓	✓	✓	✓
 5/2 - solenoid air operated - solenoid air return (bistable)	 55102011	3,5	2,5	●	size 22 (2)	✓	✓	✓	✓	✓	✓	✓
 5/3 - solenoid air operated - pressure held W1	 55102118	3,5	2,5	●	size 22 (2)	✓	✓	✓	✓	✓	✓	✓

(M) Manual operator ● : with maintained manual operator
 (1) When ordering, please specify in addition to the code: the type of current, voltage/frequency
 (2) DIN 43650, 11 mm, industry standard B

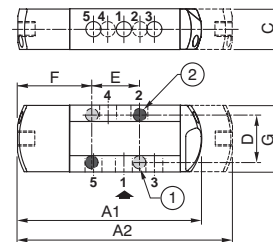
DIMENSIONS

3/2 NC spool valves - air operated




code	dimensions (mm)						
	A1/105	A2/106	C	D	E	F	G
G551A105/106	112	133	27,5	32	33	50,5	45

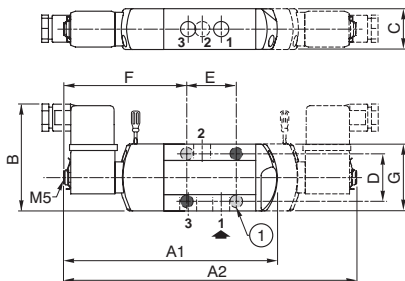
5/2 spool valves - air operated



code	dimensions (mm)						
	A1/117	A2/118	C	D	E	F	G
G551A117/118	125	146	27,5	32	32	50,5	45

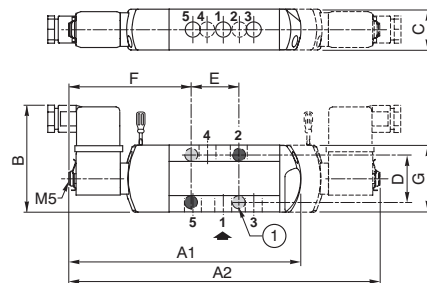
Ports
 1 : Pressure
 2-4 : Outlet
 3-5 : Exhaust
 : manual operator

3/2 NC spool valves - solenoid air operated integrated pilots



code	dimensions (mm)						
	A	B	C	D	E	F	G
55102005	198	72	27,5	32	33	83,5	45

5/2 - 5/3 spool valves - solenoid air operated integrated pilots



code	dimensions (mm)							
	A1/009	A2/011	B	C	D	E	F	G
55102009/011	157	210	72	27,5	32	32	82,5	45

2 mounting holes:
 ① 5,3 mm dia. (Spotfacing: 9 mm dia., depth 5 mm)

OPTIONS AND ACCESSORIES

Stainless steel exhaust protector
 G 1/4 - code : **34600419**

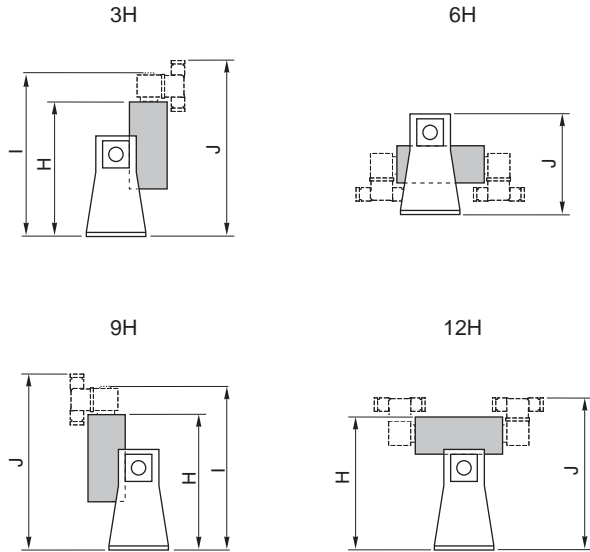
Batch of 2 exhaust reducers G 1/8
 code : **88100344**

replacement coils (see page 119)

3/2-5/2-5/3 SPOOL VALVES

DIMENSIONS

Supply rail



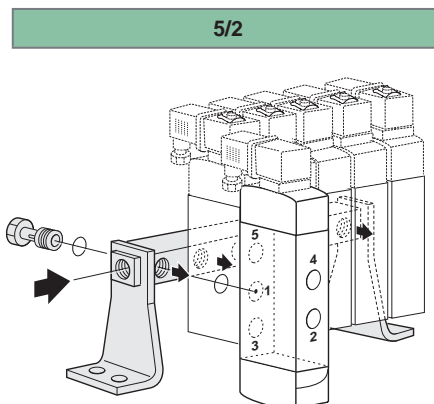
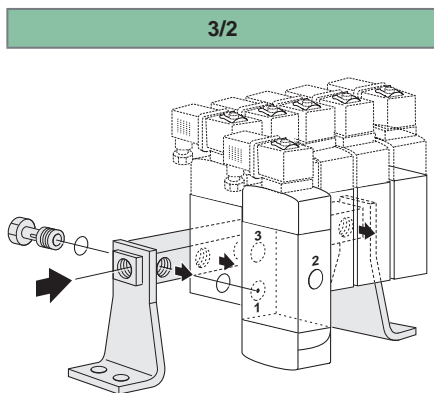
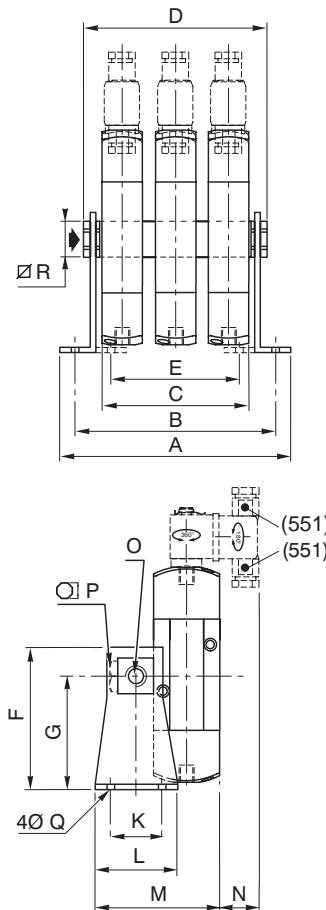
dimensions (mm)

	3H	6H	9H	12H	I	3H	6H	9H	12H
series 551									
3/2	148	-	148	132	181	194	92	194	159
5/2	147	-	147	132	181	194	92	194	159

number of valves

dimensions (mm)

	A	B	C	D	E	F	G	K	L	M	N	O	P	Q	R
series 551															
2	108	92	55	78	42	92	75	35	50	82	27	G3/8	19	6,5	23
3	136	120	83	106	70	92	75	35	50	82	27	G3/8	19	6,5	23
4	164	148	111	134	98	92	75	35	50	82	27	G3/8	19	6,5	23
5	192	176	139	162	126	92	75	35	50	82	27	G3/8	19	6,5	23
6	220	204	167	190	154	92	75	35	50	82	27	G3/8	19	6,5	23
7	248	232	195	218	182	92	75	35	50	82	27	G3/8	19	6,5	23
8	276	260	223	246	210	92	75	35	50	82	27	G3/8	19	6,5	23



SPOOL VALVES

551 and 552 series

3/2 - 5/2 - 5/3

MANUALLY OPERATED



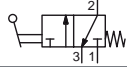

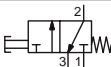
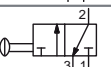

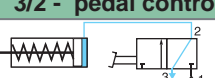

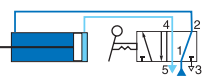



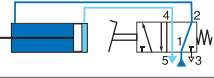
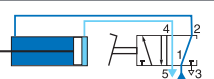

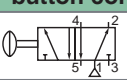
1/4



Fluids	air or inert gas, filtered, lubricated or not
Operating pressure	0 to 10 bar, 2 to 10 bar (foot)
Ambient temperature	-25°C to +60°C, -20°C to +60°C (foot)
Flow (Qv at 6 bar) (ANR)	refer to selection table
Body	black anodised aluminium, black polyethylene (foot)
Covering cap (foot)	yellow polyethylene
Internal parts	zamak, stainless steel, POM (polyacetal), aluminium anodised aluminium alloy, stainless steel, brass (foot)
Sealings	NBR (nitrile) + PUR (polyurethane) NBR (nitrile) (foot)

- Reliable and robust product thanks to the metal body and controls
- Direct control of single acting and double acting cylinders, up to a diameter of 100 mm
- Wide range of temperatures to suit many semi-automated applications
- Manually operated versions used for machine safety
- Pedal version with large opening to position the foot

YOUR SELECTION

		flow at 6 bar (ANR) l/min	code	type	dimensions (mm)			
					A	B	C	
3/2 - lever control								
		detented lever with 2 positions	860	55102088	1	108	112,5	-
		lever-spring	860	55102089	1	108	112,5	-
3/2 - button control								
		button spring	860	55102082	4	see page 87		
		button push-pull	860	55102083	4	see page 87		
3/2 - pedal control								
		pedal-spring	860	55102091	6	see page 87		
5/2 - lever control								
		detented lever with 2 positions	860	55102092	2	108	125	-
		detented lever with 2 positions	1610	55200036	2	108	125	-
		lever-spring	860	55102093	2	108	125	-
5/2 - pedal control								
		pedal 2 positions	860	55102094	3	see page 87		
		pedal-spring	860	55102095	3	see page 87		
5/2 - button control								
		button push-pull	860	55102086	5	see page 87		

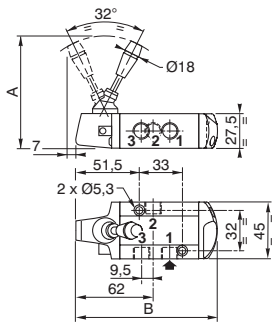
MANUALLY OPERATED SPOOL VALVES

YOUR SELECTION

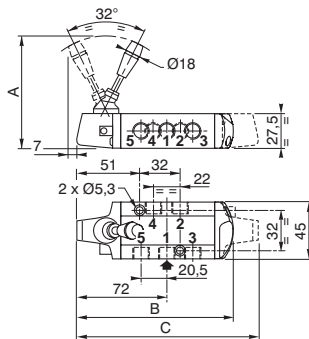
		flow at 6 bar (ANR)	code	type	dimensions (mm)			
					A	B	C	
5/3 - lever control - W1 pressure held								
		detented lever with 3 positions (W1)	760	55102096	2	108	-	146,5
		detented lever with 3 positions (W1)	1610	55200038	2	108	-	146,5
		lever with 3 positions, spring return at centre (W1)	760	55102097	2	108	-	146,5
5/3 - lever control - W3 pressure release								
		detented lever with 3 positions (W3)	760	55102098	2	108	-	146,5
		lever with 3 positions, spring return at centre (W3)	760	55102099	2	108	-	146,5

DIMENSIONS

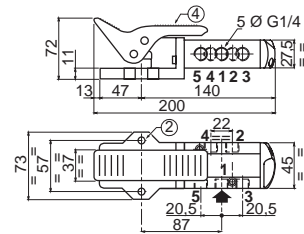
Type 1



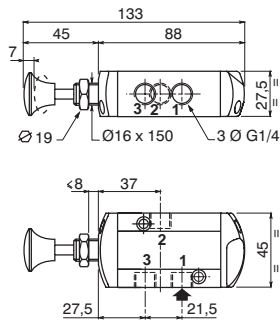
Type 2



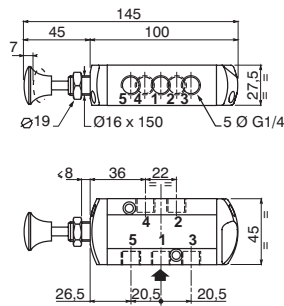
Type 3



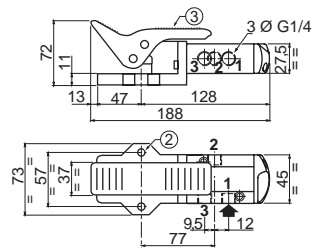
Type 4



Type 5



Type 6



Ports

- 1 : Pressure
- 2-4 : Outlet
- 3-5 : Exhaust

3/2 MICROVALVES

307 series

MANUALLY OPERATED

using standard Ø 22 mm heads
with instant fittings for tube Ø 4 mm O.D.
or 1/8



Fluids	air filtered, lubricated or not
Operating pressure	0 to 8 bar
Ambient temperature	-5°C to +60°C
Flow (Qv at 6 bar) (ANR)	112 l/min
Body	zamak
Exhaust	non-connectable

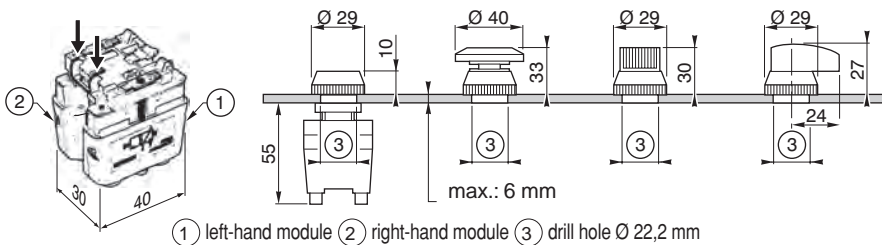
- Option of metal or plastic buttons
- Simple, quick assembly on panels
- Wide choice of pilot operators
- Possibility of linking 2 NC functions using the same pilot operator
- Microvalve button has a safe and robust fitting

YOUR SELECTION

description	type	metal button			plastic button			
		colour	code	(metal) code	code	(plastic) code	code (1)	
	flush push button	impulse	black	88130757	88130754	black	88130745	88130753
			green	88130758		green	88130744	
			red	88130759		red	88130743	
	mushroom button Ø 40	maintained (push-turn)	red	88130770	88130754	red	88130740	88130753
			red	88130762		red	88130741	
		impulse	black	88130763		black	88130742	
	switch	2 fixed positions	black	88130771	88130754	black	88130739	88130753
	key button	key removal at 0 and 1	black	88130761		black	-	
	lever switch	2 fixed positions	black	88130760		black	88130737	
		3 fixed positions	black	88130767		black	88130736	
		3 positions self centering	black	88130766		black	88130735	

(1) a microvalve comprises of one or two pneumatic modules: Separated pneumatic modules, see below

DIMENSIONS



type	action on module	
	left	right
3 fixed positions	0	not actuated
	1	not actuated
	2	actuated
3 positions self centering	0	actuated
	1	not actuated
	2	actuated

OPTIONS AND ACCESSORIES

Intermediary subbase 88130775	Reducing adapter 88130755	Separated pneumatic modules					
		instant fittings 4 mm O.D.	NC	30701001	threaded G1/8	NC	30701005
			NO	30701002		NO	30701006

3/2 MICROVALVES

308, 309, 310, 550 and 551 series
MECHANICALLY OPERATED
with instant fittings for tube Ø 4 mm O.D.
1/8 or 1/4



- Wide range of operators
- Lever for front and side action
- Quick fittings for fast installation

	series 308	series 309	series 310	series 550	series 551
Fluids	air filtered, lubricated or not				
Operating pressure	0,1 to 8 bar	0 to 8 bar	0 to 10 bar	0 to 10 bar	0 to 10 bar
Ambient temperature	-5°C to +50°C	-5°C to +50°C	-5°C to +60°C	-10°C to +60°C	-25°C to +60°C
Flow (Qv at 6 bar) (ANR)	140 l/min	140 l/min	280 l/min	200 l/min	860 l/min
Body	zamak	zamak	zamak	zamak	anodized aluminium
Sealings	NBR (nitrile)				NBR (nitrile) + PUR (polyurethane)

YOUR SELECTION

	description	operating effort			Operating head ALONE	code		type
		2 bar	daN 5 bar	8 bar		complete microvalve with instant fittings for tube Ø 4 mm O.D.	threaded G1/8	
NC = normally closed								
	simple push	1	1,7	2,5	-	30900002	-	1
	lever with plastic roller	0,5	0,9	1,3	-	30900003	-	2
	lever with metal bearing roller	0,5	0,9	1,3	-	30900001	-	2
	one way trip plastic roller (lifetime: one million cycles)	0,5	0,9	1,3	-	30900004	-	3
	push button with thread	1	1,7	2,5	-	30900006	-	4
	lever with metal bearing roller	-	-	1,2	88130802 (1)	30800010	30800016	5
	lever with plastic roller	-	-	0,4 to 1,2	88130803 (1)	30800011	30800017	6
	lever with ball bearing roller	-	-	0,4 to 1,2	88130804 (1)	30800012	30800018	6
	flexible roller	-	-	0,3 to 1,2	88130807 (1)	30800027	30800030	12
	rotating head alone	-	-	-	-	30800001	30800005	8
	valve alone				-	-	32000001	-
					-	31090002	31090001	9
	Lever roller acetal				88131001	31000011	-	-
	lever roller metal				88131005	31000013	31000006	10

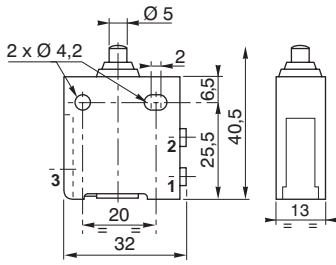
(1) The different levers are fitted to the valve with a head with a side spindle (code **30800001** or **30800005**)

	operators		operating effort daN	code		type
	pilot	return		threaded G1/4	threaded G1/8	
3/2 - roller pilot						
	roller	spring	4,8	55102084	-	14
3/2 - lever control						
	roller-lever	spring	2	-	55000046	11
	tappet	spring	3	-	55000047	13
5/2 - lever control						
	roller-lever	spring	2	-	55000012	7

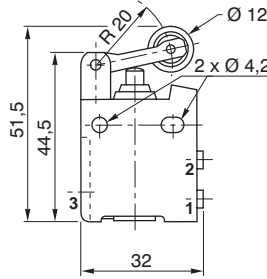
3/2 MECHANICALLY OPERATED MICROVALVES

DIMENSIONS

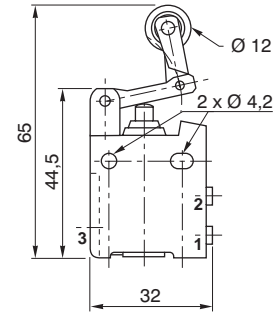
Type 1



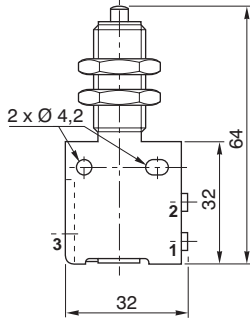
Type 2



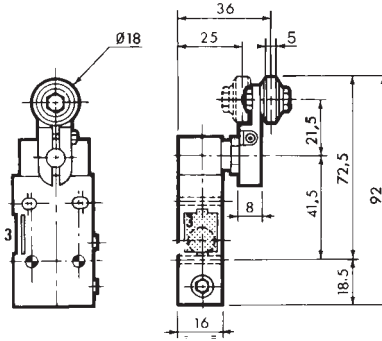
Type 3



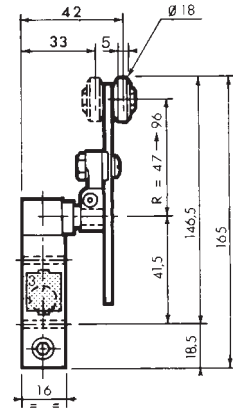
Type 4



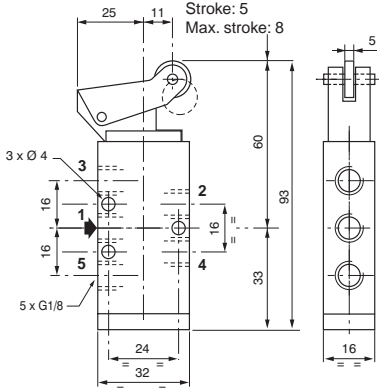
Type 5



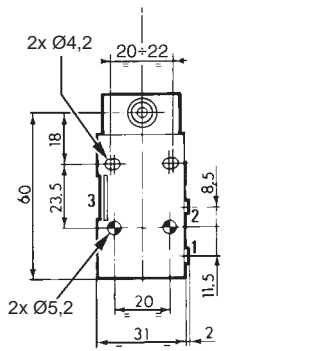
Type 6



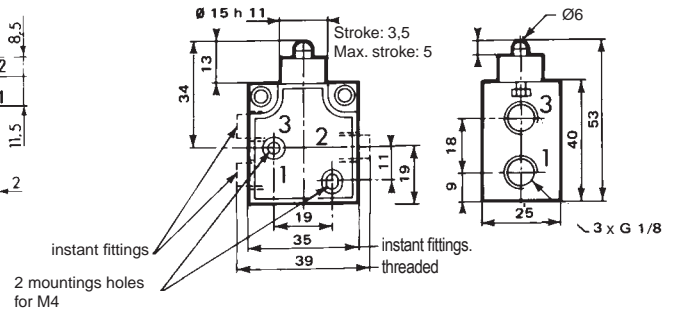
Type 7



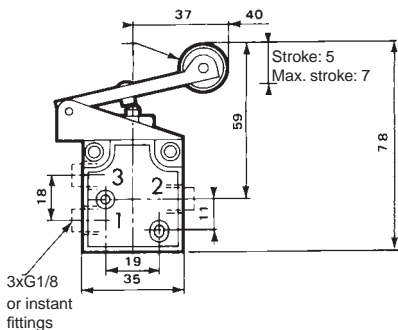
Type 8



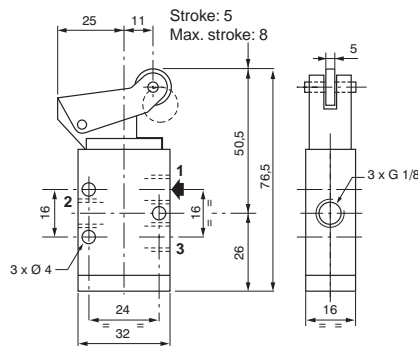
Type 9



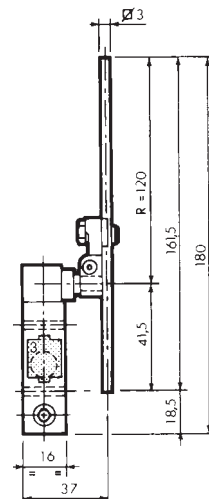
Type 10



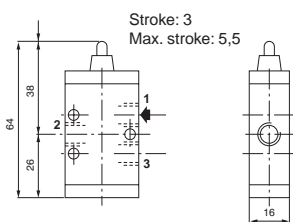
Type 11



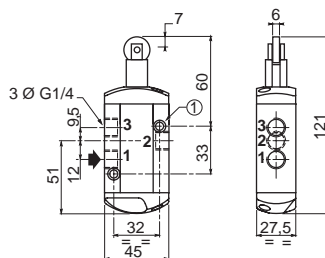
Type 12



Type 13



Type 14

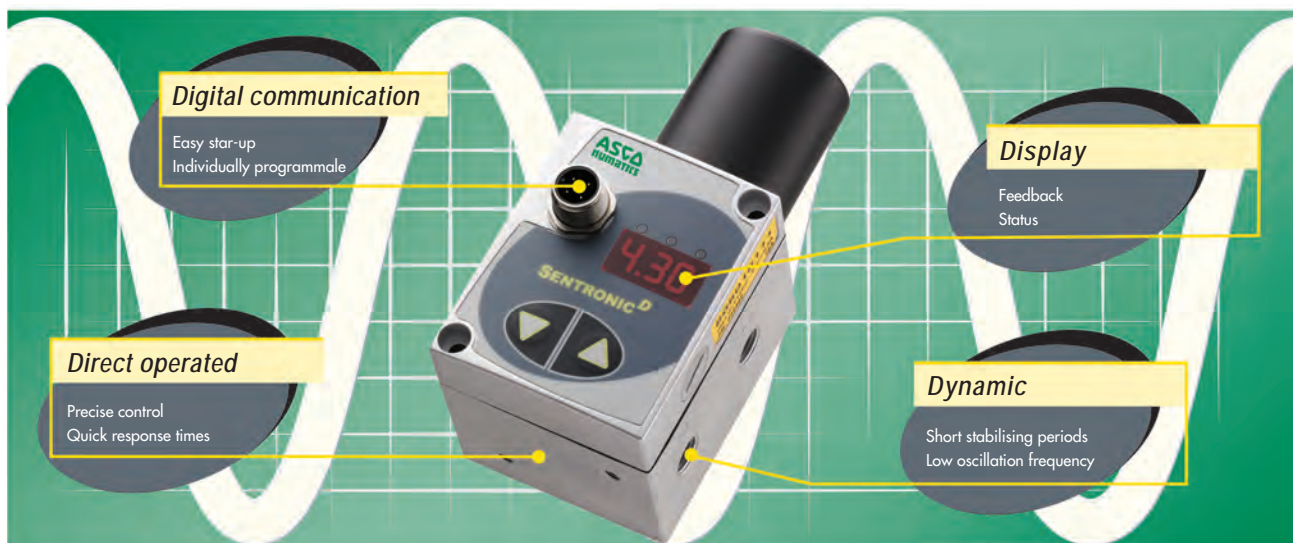


PROPORTIONAL VALVES



YOUR SELECTION

type	body		pipe size G					max. pressure bar	flow at 6 bar (ANR) l/min	type of application			visual	series	page
	subbase mounting	threaded	1/8	1/4	3/8	1/2	1			static	dynamic	step			
SENTRONIC ^D		●	●	●				13	470 ... 1300	●	●	●	1	608-609	93
	●		●												
SENTRONIC ^{PLUS}		●	●	●		●	●	20	210 ... 5600	●	●	●	2	614	95
	●	●	●	●	●										
SENTRONIC ^{LP}	●	●		●	●	●		10	470	●	●	●	3	617	97



PROPORTIONAL VALVES

608 and 609 series
Digital Pressure Control
SENTRONIC^D
threaded G 1/8, 1/4 or
subbase-mounted version


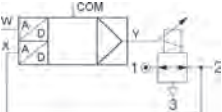
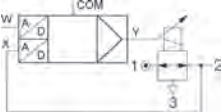


Fluids	air, inert gas, filtered at 50 µm, without condensate, lubricated or not
Pressure range	refer to selection table
Fluid temperature	0°C to +60°C
Ambient temperature	0°C to +50°C
Flow (Qv at 6 bar)	G 1/8 = 470 l/min, G 1/4 = 1300 l/min
Electrical setpoint	0-10 V / 4-20 mA
Sensor output	0-10 V / 4-20 mA
Hysteresis	< 1% of span
Linearity - repeatability	< 0,5% of span
Body	aluminium
Sealings	FPM (fluoroelastomer) and NBR (nitrile)
Standard voltage DC (=)	24 V ± 10%

- Quick response times
- High sensitivity
- Direct proportional coil
- Free software to adjust control parameters
- Dual loop control option

YOUR SELECTION

[2D/3D CAD models - In 3D](#)

	pressure range	maximum allowable pressure	max. power	pipe size	flow at 6 bar (ANR)	Display		code	
						without display	with display	setpoint 0-10V	setpoint 4-20mA
threaded connection									
	0 - 3	6				●		608030110	608032310
	0 - 3	6					●	608030111	608032311
	0 - 6	9	21	1/8	470	●		608060110	608062310
	0 - 6	9					●	608060111	608062311
	0 - 10	13				●		608010110	608012310
	0 - 10	13					●	608010111	608012311
	0 - 3	6				●		609030110	609032310
	0 - 3	6					●	609030111	609032311
	0 - 6	9	40	1/4	1300	●		609060110	609062310
	0 - 6	9					●	609060111	609062311
	0 - 10	13				●		609010110	609012310
	0 - 10	13					●	609010111	609012311
subbase-mounted									
	0 - 6	9	21	1/8	470	●		608260111	-

OPTIONS AND ACCESSORIES

Female M12 connector
cable entry Ø 6 to 8 mm:
straight - code: **88100256**

Supply cable 2m ; 5x0,25mm²,
right-angle connector
code: **88100727**

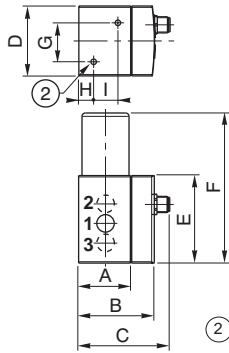
RS-232 converter, 2 m cable with 9
pin Sub-D connector for PC link
code: **88100732**

Setpoint 0-20 mA
code: sixth digit = 1
e.g.: **608011111**

Sensor output:
0-20mA: code: 7th digit=2
4-20mA: code: 7th digit=3
e.g.: **608010211**

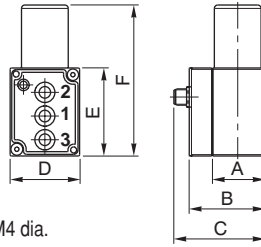
DIMENSIONS

threaded connections



② 2 mounting holes M4 dia.

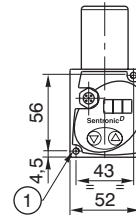
subbase-mounted version



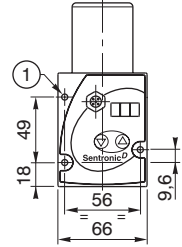
front mounting

G 1/8

G 1/4



① Mounting holes for M4 screws



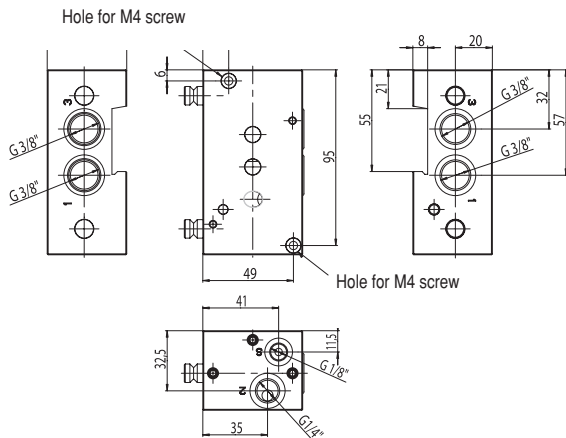
Threaded connections

Series	dimensions mm									
	A	B	C	D	E	F	G	H	I	
608	38,5	56,3	67,8	52	65	111,5	29	11	18	
608	48,5	66,3	77,8	66	85	137,5	40	13	24	

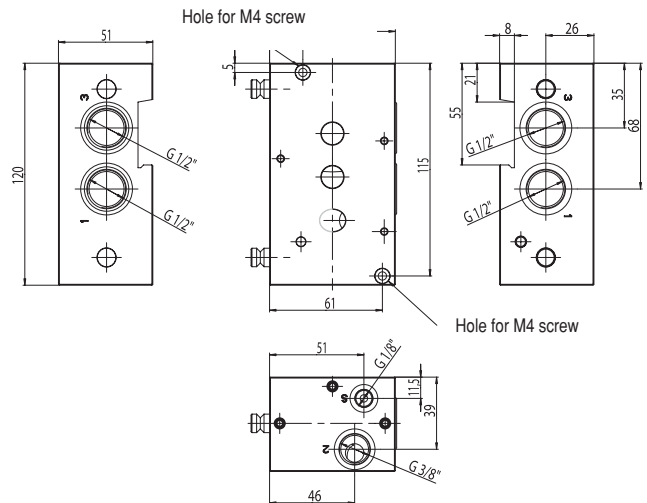
Subbase-mounted version

609	38,5	56,3	67,8	52	65	111,5	-	-	-
-----	------	------	------	----	----	-------	---	---	---

subbase DN 4



subbase DN 8



PROPORTIONAL VALVE

614 series

Digital Pressure Control

SENTRONICPLUS

threaded G 1/8, 1/4, 1/2 or 1



Fluids	air, inert gas, filtered at 50 µm, without condensate, lubricated or not
Pressure range	refer to selection table
Fluid temperature	0°C to +60°C
Ambient temperature	0°C to +50°C
Flow (Qv at 6 bar)	G1/8 = 210 l/min, G1/4 = 700 l/min, G1/2 = 1400, G1 = 5600 l/min
Electrical setpoint	0-10 V / 4-20 mA
Sensor output	0-10 V / 4-20 mA
Hysteresis	< 1% of span
Linearity - repeatability	< 0,5% of span
Body	G1/8 = brass, G1/4-G1 = aluminium
Sealings	FPM (fluoroelastomer) and NBR (nitrile)
Standard voltage DC (=)	24 V ± 10%

- Quick response times
- Direct proportional coil
- Free software to adjust control parameters
- Vacuum service versions
- ATEX
- High pressure version
- Dual loop control option

YOUR SELECTION

614357 D 0 0 1 D 03

[2D/3D CAD models - In 3D](#)

Control Panel

- D** = M12 with display - non-explosionproof
- E** = M12 without display - explosionproof (ATEX)
- G** = DIN connector, 7-pin without display - non-explosionproof

Version (ports), body

- 0** = DN6 (G 1/4) (Alu)
- 1** = DN12 (G 1/2) (Alu)
- 2** = DN20 (G 1) (Alu)
- 7** = DN3 (G 1/8) (Brass)
- 8** = DN6 (G 1/4) (Brass)

Setpoint

- 0** = 0 ... 10 (Volt)
- 2** = 4 ... 20 (mA)

Pressure range

Relative pressure	Max. allowable pressure (bar)
03 = 0-3 bar	8
06 = 0-6 bar	12
10 = 0-10 bar	12
12 = 0-12 bar	14
16 = 0-16 bar	18
20 = 0-20 bar	22

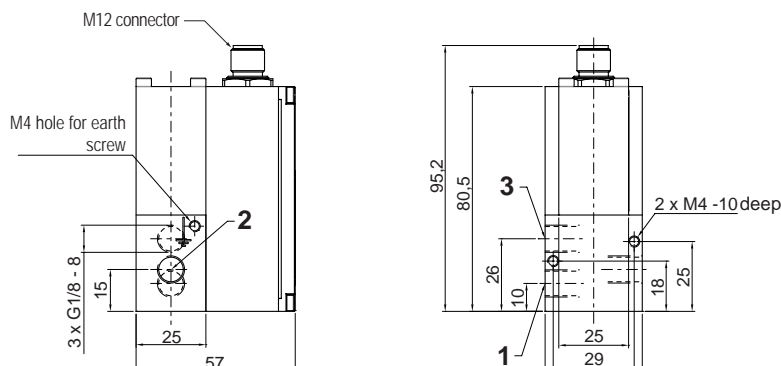
Feedback

- 1** = Feedback output 0 ... 10 Volt
- 3** = Feedback output 4 ... 20 mA

DIMENSIONS

G 1/8

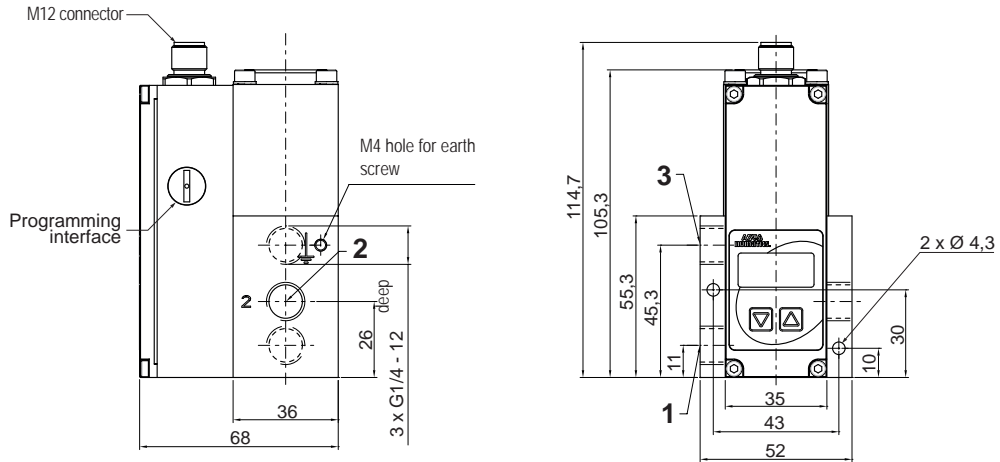
Weight: 0,550 kg



DIMENSIONS

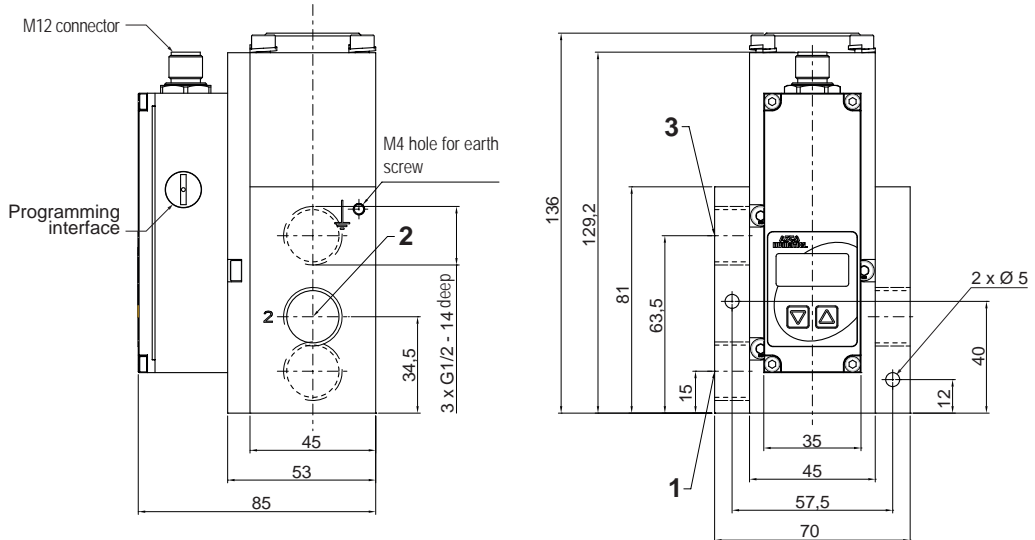
G 1/4

Weight: 0,850 kg



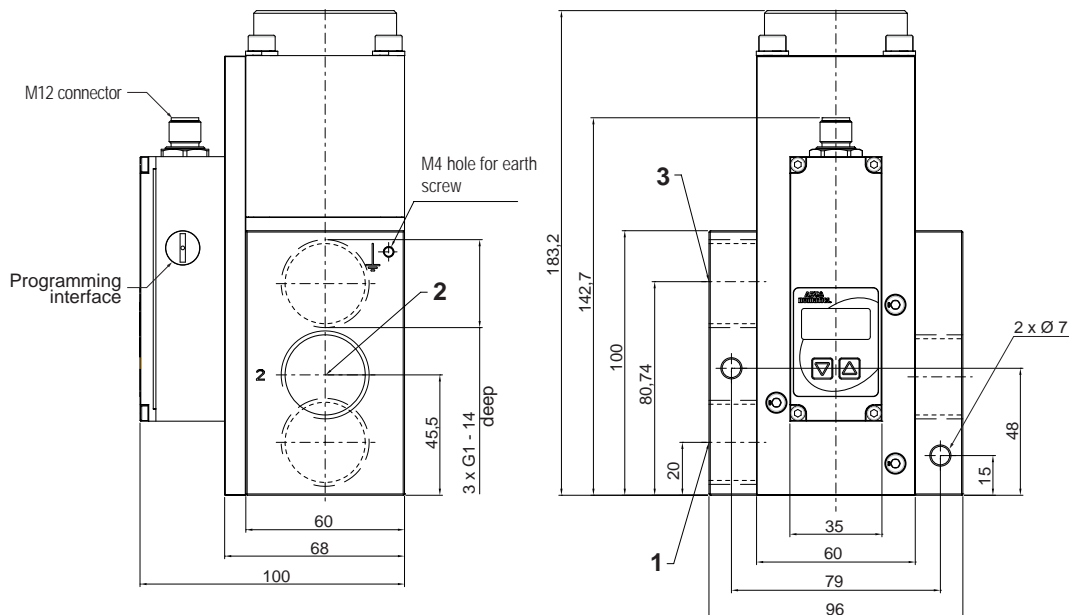
G 1/2

Weight: 1,650 kg



G 1

Weight: 3,400 kg



PROPORTIONAL VALVE

617 series

Digital Pressure Control

SENTRONIC^{LP}

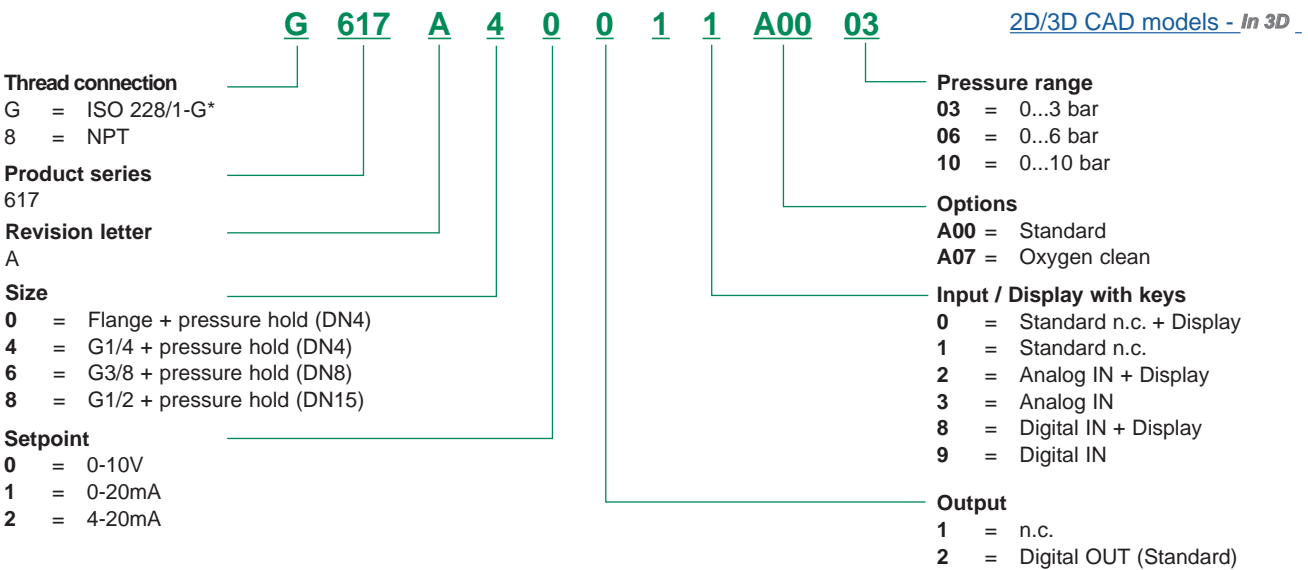
threaded G 1/4, 3/8 or 1/2
subbase-mounted version



Fluids	air, inert gas, filtered at 50 µm, without condensate, lubricated or not
Pressure range	refer to selection table
Fluid temperature	0°C to +60°C
Ambient temperature	0°C to +50°C
Flow (Qv at 6 bar)	G 1/4 = 470 l/min
Electrical setpoint	0-10 V / 4-20 mA
Sensor output	0-10 V / 4-20 mA
Hysteresis	< 1% of span
Linearity - repeatability	< 0,5% of span
Body	aluminium
Sealings	NBR (nitrile)
Standard voltage DC (=)	24 V ± 10%

- SentronicLP stands for:
 - Low power consumption (3,8 W)
 - Digital communication and control
 - Display (integrated) with function buttons (option)
 - Pilot operated proportional valve
- Other functions are valve diagnostics, parameter setting and maintenance
- The valve's outlet pressure can also be adjusted over the integrated display and the function buttons
- RoHS, REACH compliant

YOUR SELECTION

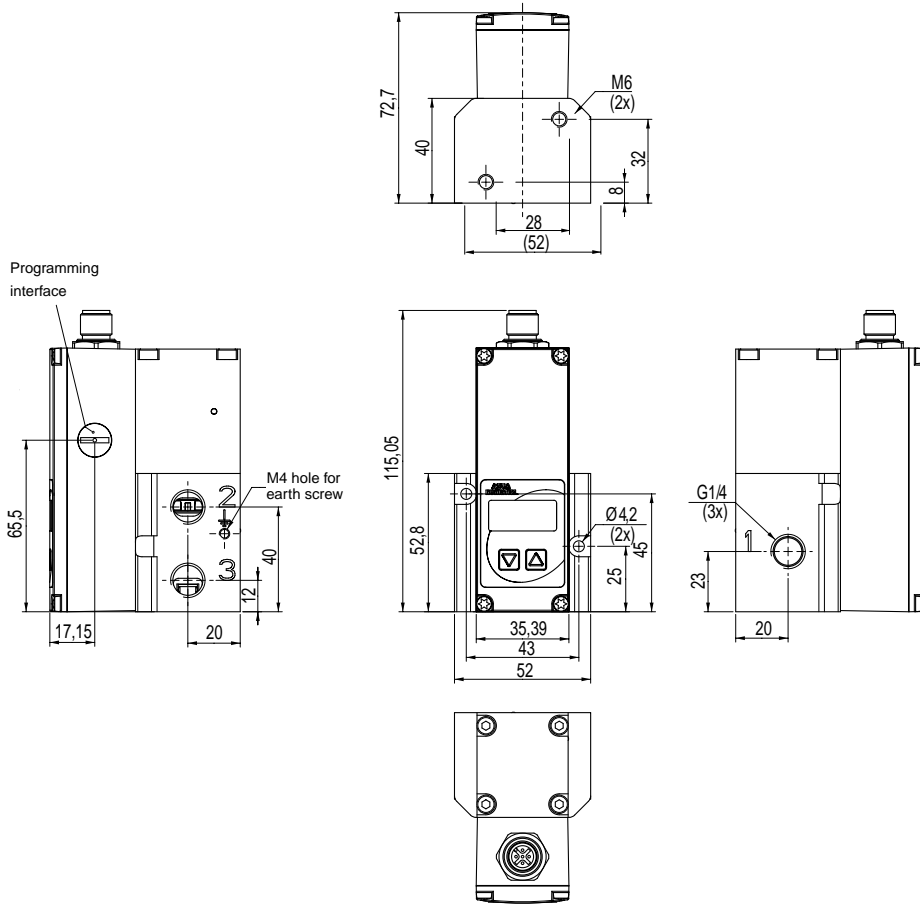


DIMENSIONS

Inline version

DN 4

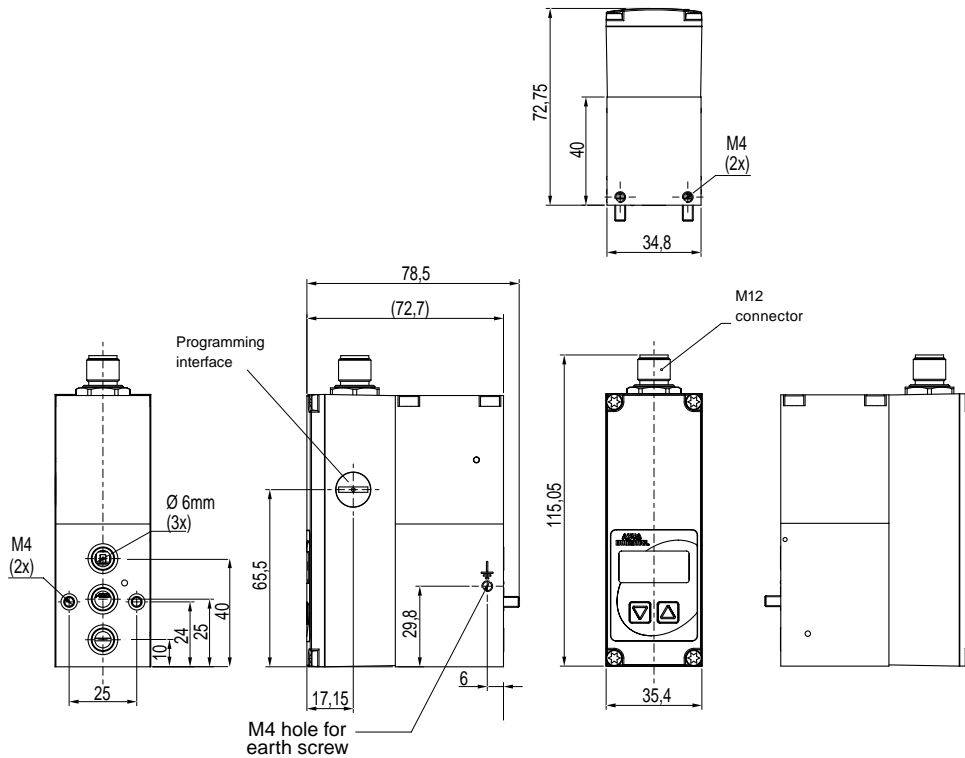
Weight: 0,49 kg



Subbase version

DN 4

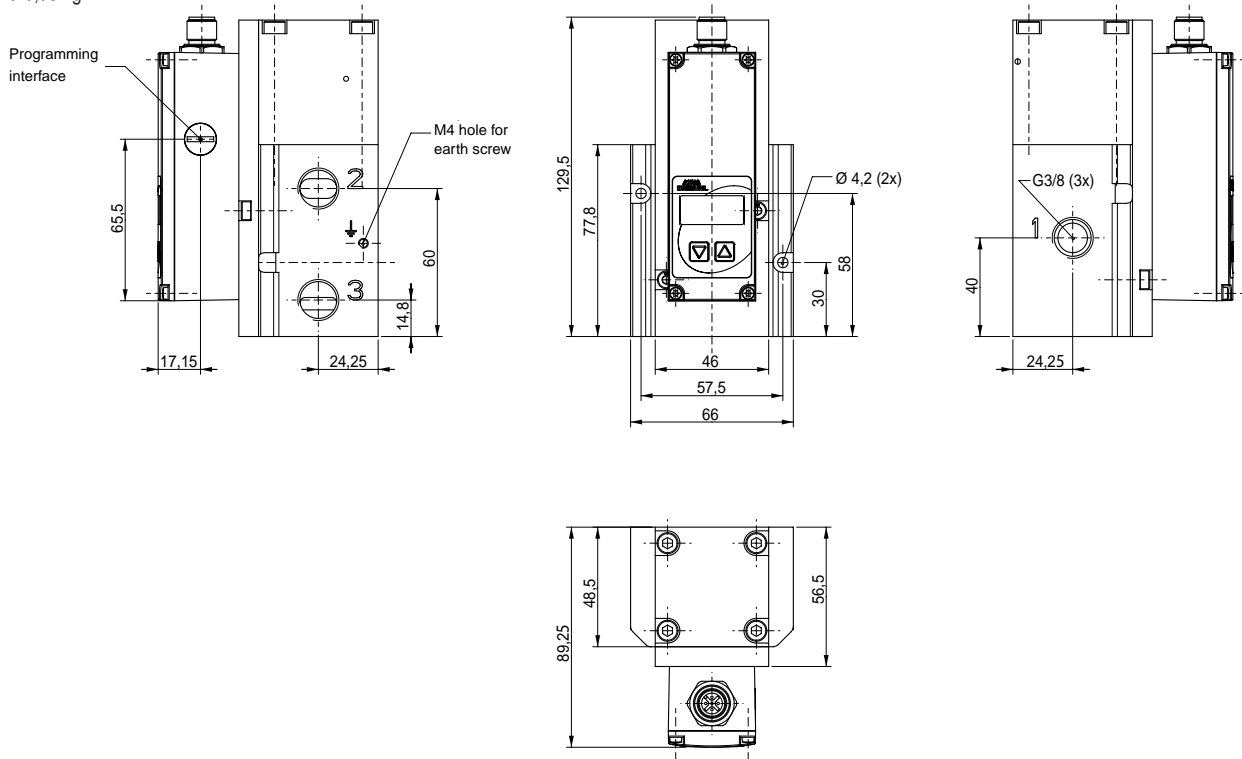
Weight: 0,49 kg



DIMENSIONS

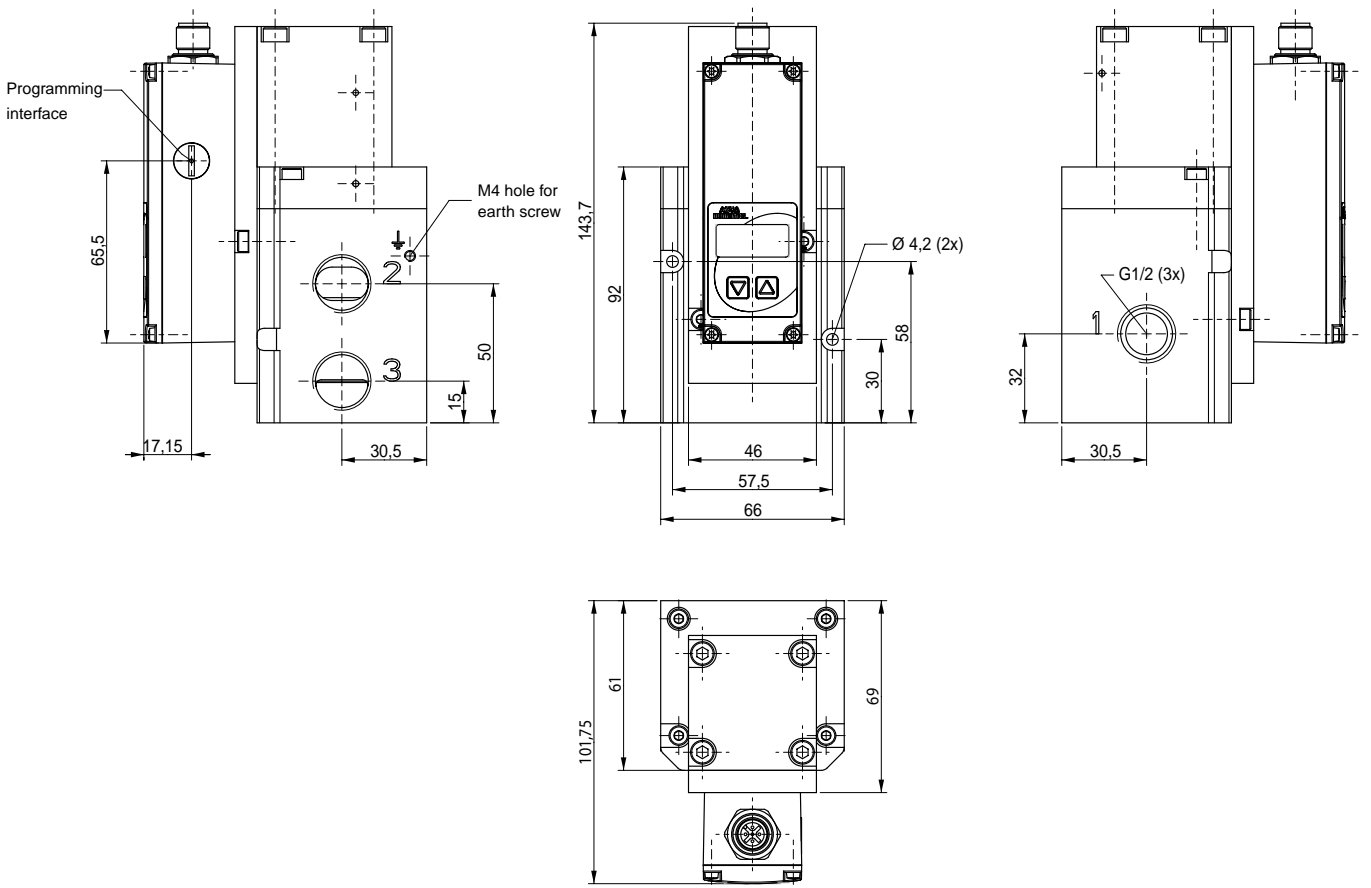
DN 8

Weight: 0,93 kg



DN 15

Weight: 1,33 kg



Air Preparation



YOUR SELECTION

pipe size G				type	flow l/min (ANR)				visual	series	page
1/8	1/4	3/8	1/2		1/8	1/4	3/8	1/2			
filter/regulator + lubricator											
●	●			Modulair 105	400	550			1	342	101
●	●			651						651	
	●	●	●	652		4120	5420	5500		652	
filter/regulator											
●	●			Modulair 105	550	650			2	342	102
●	●			651	730	2360				651	
	●	●	●	652		4120	5420	5500		652	
filter											
●	●			651	920	1410			3	651	103
	●	●	●	652		2250	3390	3700		652	
regulator											
●	●			Modulair 105	550	650			4	342	104
●	●			651	800	2060				651	
	●	●	●	652		4120	6530	7000		652	
lubricator											
●	●			651	900	1940			5	651	105
	●	●	●	652		2780	5000	5100		652	
Slow-start/quick exhaust valve											
●	●			651	780	1000			6	651	106
	●	●	●	652		1500	3750	4650		652	
isolation valve											
●	●			651	1440	4720			7	651	107
	●	●	●	652		4300	8800	11400		652	
by-pass module											
	●			651					8	651	108
			●	652						652	
Assembly kits / mounting brackets											
				651/652					-	651 652 343	113

Air Preparation FR + L Manifold Assemblies Type Modulair 105 651/652 Series G 1/8 to 1/2



	Modulair 105	651	652
Fluids	compressed air or neutral gas		
Max. inlet pressure	12 bar	16 bar	
Ambient temperature	0°C to +50°C	+5°C to +50°C	
Filtering capacity	5 or 25 µm		
Filter element	PE (polyethylene)		
Body	Polyamide (PA)	Light Alloy	
Bowls	Polycarbonate bowl WITH protector	Polycarbonate bowl WITH protector Metal bowl	

- Available in port sizes 1/8 – 1/2 and featuring one of the highest flow rates of any FRL on the market - compared to its size resulting in a lower pressure drop. A lower pressure drop can deliver savings in energy consumption.
- The robust corrosion resistant construction, a temperature range of -40° C to +80°C and a broad range of options makes them suitable for many uses, including those in harsh environments. This range is also certified ATEX and CUTR.
- Typical applications include industrial automation, process industries, breathing air, food packaging and paint spraying.

YOUR SELECTION

[2D/3D CAD models - In 3D](#)

pipe size G	Adjustable pressure bar		code		Dimensions (mm)							
	min.	max.	25 µm	5 µm	A	B	C	D	E	F	G	H
651 Semi-automatic & Manual arain												
1/8			A651A0000000400	A651A0000000408								
1/4	0,2	10	A651A0000000401	A651A0000000409								
1/8	0,2	3	A651A0000000402	A651A0000000410	241	77	50	50	56	29	25	3,5
1/4			A651A0000000403	A651A0000000411								
651 Automatic drain												
1/8			A651A0000000404	A651A0000000412								
1/4	0,2	10	A651A0000000405	A651A0000000413								
1/8	0,2	3	A651A0000000406	A651A0000000414	246	77	50	50	56	29	30	3,5
1/4			A651A0000000407	A651A0000000415								
652 Semi-Automatic & Manual Drain												
1/4			A652A0000000001	A652A0000000013								
3/8	0,2	10	A652A0000000002	A652A0000000014	273	94,5	66	66	69	34,5	25	3,4
1/2			A652A0000000003	A652A0000000015								
652 Automatic Drain												
1/4			A652A0000000007	A652A0000000019								
3/8	0,2	10	A652A0000000008	A652A0000000020	277,5	94,5	66	66	69	34,6	29,5	3,4
1/2			A652A0000000009	A652A0000000021								
Modulair 105 Filter/regulator + lubricator unit WITH bowl protector and semi-automatic drain function												
1/8			34225183	-								
1/4	0,5	8	34225184	-	172	41	84	69	-	-	-	-
Modulair 105 Filter/regulator + lubricator unit WITHOUT bowl protector and WITH semi-automatic drain function												
1/8	0,5	8	34225103	-	172	41	84	69	-	-	-	-

DIMENSIONS

(see page 110)

OPTIONS AND ACCESSORIES

(see page 113)

PARTICULATE FILTER/REGULATOR

Type Modulair 105
651/652 Series
G 1/8 to 1/2



	Modulair 105	651	652
Fluids	compressed air or neutral gas		
Max. inlet pressure	12 bar	16 bar	
Ambient temperature	0°C to +50°C	-40°C to +50°C	
Filtering capacity	5 or 25 µm		
Filter element	PE (polyethylene)		
Body	Polyamide (PA)	Light Alloy	
Bowls	Polycarbonate bowl WITH protector Metal bowl		

- High flow with a wide range of adjustable output pressure ranges
- Optional low profile gauge, round gauge, digital gauge or digital pressure switch
- Optional extended temperature range of -40°C to +80°C
- Sintered polyethylene elements include 5 and 25 Microns
- Threaded ports allow for individual or modular mounting
- Innovative two position drain with manual and semi-automatic functions. Additional drains include an automatic style (brass) and manual (stainless steel)
- Air purity class according to ISO 8573-1: 2010
- Key lockable and tamper resistant models

YOUR SELECTION

G 651 A P B P 2 G A00 H N

[2D/3D CAD models - In 3D](#)

Thread connection
G = ISO 228/1-G*

Product series
651
652

Revision letter
A

Product type
P = Filter/Regulator - Particulate

Elements
B = 5 µm (White)
J = 25 µm (Yellow)

Bowl type
K = Metal Bowl without Sight Gauge
L = Metal Bowl with sight gauge (glass)
P = Polycarbonate bowl with bowl guard

Port size
1 = 1/8 (651 Series)
2 = 1/4 (651 or 652 Series)
3 = 3/8 (652 Series)
4 = 1/2 (652 Series)


Drain type

0 = No Drain
A = Auto Drain Normally Open
N = Manual - Semi-Automatic Drain

Pressure range

D = 3-45 PSIG/0.2-3 bar
H = 7-145 PSIG/0.5-10 bar

Options***

A00 = Without option
101 = Side Mounting Brackets
102 = Panel Nut
103 = Tamper Resistant
104 = Key Lockable
106 = Low Temperature (-40°C)**
113 = Stainless steel fasteners (652 only)
114 = Provision for Key Lockable
117 = ATEX 1/21 zones 
119 = Panel Bracket with Panel Nut
123 = Gauge Type Mounted for Right-to-Left Flow
124 = CUTR Certification (EAC)

Gauge type

0 = No Gauge Port
G = Low Profile Gauge bar
P = No Gauge with Port Plate (1/8 ISO 7/1 Rc)
Q = Round Gauge bar

* Conforms to ISO standards 1179-1.

** Compressed air must be dry enough so no ice formation is present on the product. All bowls should be emptied prior to ambient temperatures dropping below 0°C.

*** If multiple options are required, please use the on-line CAD configurator on the website to generate the part number (<http://www.asco.com/en-gb/Pages/product-configurators.aspx>).

105 Modulair

pipe size G	controlled pressure bar	Bowl Capacity		flow l/min	filtering capacity µm	code		dimensions (mm)			
		total cm ³	max. condensate cm ³			with gauge	without gauge	A	B	C	D
filter/regulator WITH bowl protector and semi-automatic drain											
1/8	0,5 ... 8	28	10	550	25	-	34225201	172	41	42	69
1/4				650	25	34225204	34225202	172	41	42	69
filter/regulator WITHOUT bowl protector and WITH semi-automatic drain											
1/4	0,5 ... 8	28	10	650	25	34225124	34225122	172	41	42	69

DIMENSIONS

(See page 111)

FILTERS

Type Modulair 105

651/652 Series

G 1/8 to 1/2



	Modulair 105	651	652
Fluids	compressed air or neutral gas		
Max. inlet pressure	12 bar	16 bar	
Ambient temperature	0°C to +50°C	-40°C to +50°C	
Filtering capacity	5 or 25 µm		
Filter element	PE (polyethylene)		
Body	Polyamide (PA)	Light Alloy	
Bowls	Polycarbonate bowl WITH protector Metal bowl		

- Large selection of filtering capacities to remove particulate and water droplets from compressed air or inert gas
- Available elements include 5 and 25 Micron
- Extensive range of coalescing filler elements to remove oil and sub-micron particles down to 0.01 microns. Coalescing filter elements include 0.3 and 0.01 microns
- Optional 3 micron pre-filter integrated in the coalescing element eliminates the need for a separate particulate element
- Visual or electrical differential pressure indicators for condition monitoring of filter element

YOUR SELECTION

G 651 A B B P 2 J A00 0 N

[2D/3D CAD models - In 3D](#)

Thread connection
G = ISO 228/1-G*

Product series
651
652

Revision letter
A

Product type
B = Filter - Particulate


Elements
B = 5 µm (White)
J = 25 µm (Yellow)

Bowl type
K = Metal Bowl without Sight Gauge
L = Metal Bowl with Sight Gauge (Glass)
P = Polycarbonate bowl with bowl guard

Drain type

0 = No Drain
A = Auto Drain Normally Open
N = Manual - Semi-Automatic Drain

Options***

A00 = Without option
101 = Side Mounting Brackets
106 = Low Temperature (-40°C)**
117 = ATEX 1/21 zones 
124 = CUTR Certification (EAC)

Port size

1 = 1/8 (651 Series)
2 = 1/4 (651 or 652 Series)
3 = 3/8 (652 Series)
4 = 1/2 (652 Series)

* Conforms to ISO standards 1179-1.

** Compressed air must be dry enough so no ice formation is present on the product. All bowls should be emptied prior to ambient temperatures dropping below 0°C.

*** If multiple options are required, please use the on-line CAD configurator on the website to generate the part number (<http://www.asco.com/en-gb/Pages/product-configurators.aspx>).

105 Modulair

pipe size G	bowl Capacity		filtering capacity µm	flow l/min	code	dimensions (mm)				
	total cm ³	max. condensate cm ³				A	B	C	D	
filter - polycarbonate bowl WITH bowl protector and semi-automatic drain										
1/8	28	10	25	890	34225213	127,5	41	42	25	
1/4			5	1050	34225254					
filter - polycarbonate bowl WITHOUT bowl protector and WITH semi-automatic drain										
1/4	28	10	25	1050	34225134	127,5	41	42	25	

DIMENSIONS

(See page 112)

REGULATORS

Type Modulair 105
651/652 Series
G 1/8 to 1/2



	Modulair 105	651	652
Fluids	compressed air or neutral gas		
Max. inlet pressure	12 bar	16 bar	
Ambient temperature	0°C to +50°C	-40°C to +50°C	
Filtering capacity	5 or 25 µm		
Filter element	PE (polyethylene)		
Body	Polyamide (PA)	Light alloy	
Bowls	Polycarbonate bowl WITH protector Metal bowl		

- Wide selection of pressure regulation ranges between 0,2 to 10 bar
- Flows of up to 7,000 l/min
- Models include relieving, non-relieving, internal flow-check and manifold regulators
- Ensures constant downstream pressure: rolling diaphragm, self-relieving feature
- Reliability and durability: low hysteresis, no friction

YOUR SELECTION

G 651 A R 0 0 2 G A00 H 0

[Configurator - CAD Files](#)

Thread connection
G = ISO 228/1-G*

Product series
651
652

Revision letter
A

Product type
R = Regulator

Port size
1 = 1/8 (651 Series)
2 = 1/4 (651 or 652 Series)
3 = 3/8 (652 Series)
4 = 1/2 (652 Series)

Gauge type
0 = No Gauge Port
G = Low Profile Gauge bar
P = No Gauge with Port Plate (1/8 ISO 7/1 Rc)
Q = Round Gauge bar

Pressure range

D = 0.2-3 bar
H = 0.5-10 bar

Options***

A00 = Without option
101 = Side Mounting Brackets
102 = Panel Nut
103 = Tamper Resistant
104 = Key Lockable
106 = Low Temperature (-40°C)**
113 = Stainless steel fasteners (652 only)
114 = Provision for Key Lockable
117 = ATEX 1/21 zones **Ex**
119 = Panel Bracket with Panel Nut
122 = Bottom Oriented Pressure Adjustment
123 = Gauge Type Mounted for Right-to-Left Flow
124 = CUTR Certification (EAC)

* Conforms to ISO standards 1179-1.

** Compressed air must be dry enough so no ice formation is present on the product. All bowls should be emptied prior to ambient temperatures dropping below 0°C.

*** If multiple options are required, please use the on-line CAD configurator on the website to generate the part number (<http://www.asco.com/en-gb/Pages/product-configurators.aspx>).

105 Modulair									
pipe size G	modulair	controlled pressure bar	flow l/min	code		dimensions (mm)			
				with gauge	without gauge	A	B	C	D
Regulator - standard regulation pressure range									
1/8	Mini	0,5 ... 10	500	-	34200311	74	40	45	62
1/4			650	-	34200313	74	40	45	62
1/8	105	0,5 ... 8	550	34225007	34225005	90	41	42	69
1/4			650	34225008	34225006	90	41	42	69
1/8	Mini	0,2 ... 3	500	-	34200312	74	40	45	62
1/4			650	-	34200314	74	40	45	62
1/8	105	0,2 ... 3	550	34225261	34225259	90	41	42	69
1/4			650	34225262	34225260	90	41	42	69
Miniature regulator - water version									
1/4	105	0,2 ... 3	15	34225270	34225268	90	41	42	62

DIMENSIONS

(See page 112)

LUBRICATORS

651/652 Series

G 1/8 to 1/2



	651	652
Fluids	compressed air or neutral gas	
Max. inlet pressure	10 bar	
Ambient temperature	5°C to +50°C	
Filtering capacity	5 or 25 µm	
Filter element	PE (polyethylene)	
Body	Light Alloy	
Bowls	Polycarbonate bowl WITH protector Metal bowl	

- Provides consistent reliable lubrication to the system
- Optional electronic liquid level indicator provides condition monitoring
- Available in port sizes 1/8 – 1 1/2
- High flow rates up to 5,500 l/min

YOUR SELECTION

G 652 A L 0 P 4 0 A00 0 0

[2D/3D CAD models - In 3D](#)

Thread connection

G = ISO 228/1-G*

Product series

652
651

Revision letter

A

Product type

L = Lubricator

Options**

- A00** = Without option
- 101** = Side Mounting Brackets
- 117** = ATEX 1/21 zones
- 124** = CUTR Certification (EAC)

Port size

- 1** = 1/8 (651 Series)
- 2** = 1/4 (651 or 652 Series)
- 3** = 3/8 (652 Series)
- 4** = 1/2 (652 Series)

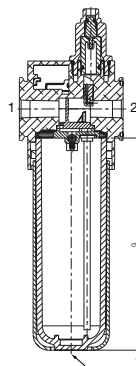
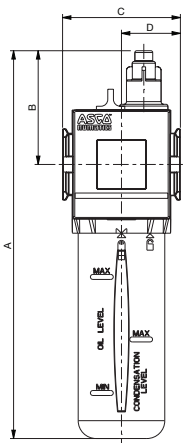
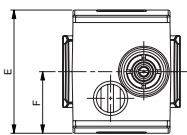
Bowl Type

- K** = Metal Bowl without Sight Gauge
- L** = Metal Bowl with Sight Gauge (Glass)
- P** = Polycarbonate bowl with bowl guard

* Conforms to ISO standards 1179-1.

** If multiple options are required, please use the on-line CAD configurator on the website to generate the part number (<http://www.asco.com/en-gb/Pages/product-configurators.aspx>).

DIMENSIONS



To remove bowl allow 75 mm from the bottom of the bowl.

Series	A	B	C	D	E	F	G
651	198	58	50	25	58	29	116
652	217	64	66	33	69	30,5	135

SLOW-START / QUICK EXHAUST VALVE

651/652 Series
G 1/8 to 1/2



	651	652
Fluids	filtered air or neutral gas, lubricated or not	
Operating pressure	3.8 to 10 bar	
Ambient temperature	-40°C to +50°C	
Body	Light Alloy	
Standard voltages	AC (~) 24 - 48 - 115 - 230V / 50 Hz- DC (=) 24 - 48V	

- This unit provides two main functions:
 - Pneumatic system venting
 - Gradual pressurisation after an outage leading to venting of the system
- This product allows for machines and installations to conform to the European Directives
- High exhaust capacity for quick depletion of downstream pressure
- Optional low profile integrated gauge, round gauge, digital gauge or digital pressure switch
- Constructions includes: 3/2 Quick Exhaust, 3/2 Slow-Start/Quick-Exhaust, and 2/2 Slow Start
- Electrical connections: Coil with DIN terminals; DIN Plug, DIN Plug with LED, and coil with built-in M12 3 Pin male connection (24 VDC)

YOUR SELECTION

[2D/3D CAD models - In 3D](#)

G 652 A 6 S 9 4 G A00 00

Thread connection

G = ISO 228/1-G*

Product series

651
652

Revision letter

A

Product type

4 = 2/2 - Slow start
5 = 3/2 -Quick exhaust
6 = 3/2 - Slow start/Quick exhaust

Valve type

P = Internal Air Pilot
(Available on 2/2 Slow Start only)
S = Solenoid air pilot

Pilot valve/Electrical connection

0 = No Electrical Connection
1 = 189 Series Vertical Solenoid Pilot, without DIN Connector (must order with option 110)
2 = 189 Series Vertical Solenoid Pilot, DIN Connector with LED(must order with option 110)
3 = 189 Series Vertical Solenoid Pilot, without DIN Connector w/o LED (must order with option 110)
4 = 189 Series Vertical Solenoid Pilot, 3 Pin M12 Connection** (must order with option 110)
5 = 190 Series Horizontal Solenoid Pilot, without DIN Connector
6 = 190 Series Horizontal Solenoid Pilot, DIN Connector with LED
7 = 190 Series Horizontal Solenoid Pilot, DIN Connector without LED
8 = 190 Series Horizontal Solenoid Pilot with 3 Pin M12 Connection**
9 = Without pilot operator

* Conforms to ISO standards 1179-1.

** Available for DC voltage only.

*** If multiple options are required, please use the on-line CAD configurator on the website to generate the part number (<http://www.asco.com/en-gb/Pages/product-configurators.aspx>).

**** Option 117 (ATEX 1-21) is available with Valve Type "E" or "P". For Valve Type "S" (Solenoid Pilot), please select "9" under the "Pilot Valve/Electrical Connection".

Voltage

EW = 115 50/60 VAC
F1 = 24 VDC
FQ = 24 50/60 VAC
FH = 230 50/60 VAC
00 = No Voltage

Options***

A00 = Without option
101 = Side Mounting Brackets
106 = Low Temperature (-40°C)**
110 = Without Manual Override
111 = Metal Muffler
112 = Polyethylene Muffler
113 = Stainless Steel Fasteners
117 = ATEX 1/21 zones**** **122** = Bottom Oriented Pressure Adjustment
123 = Gauge type mounted for right-to-left flow
124 = CUTR Certification

Gauge type

0 = No Gauge Port
G = Low Profile Gauge bar
P = No Gauge with Port Plate (1/8 ISO 7/1 Rc)
Q = Round Gauge bar

Port size

1 = 1/8 651 Series
2 = 1/4 651 or 652 Series
3 = 3/8 652 Series
4 = 1/2 652 Series

DIMENSIONS

(See page 111)

3/2 ISOLATION VALVES

651/652 Series

G 1/8 to 1/2



	651	652
Fluids	air or neutral gas	
Operating pressure	max. 16 bar.	
Ambient temperature	-10°C to +50°C	
Body	Light Alloy	

- Robust and easy-to-operate shut-off valve, with lockout on handle
- Provides shut-off to downstream machinery
- Optional low profile integrated gauge provides clear indication of the downstream pressure, and when the downstream components can be safely removed when pressure (P2) is at zero
- Available as 3/2 or 2/2 construction

YOUR SELECTION

G 652 A 3 M 0 2 G A00 00

[2D/3D CAD models - In 3D](#)

Thread connection

- G** = ISO 228/1-G*
- 8** = NPTF

Product series

- 651**
- 652**

Revision letter

- A**

Product type

- 3** = 3/2 - Shut Off Valve

Valve Type

- M** = Manually Operated Ball Valve with Lockout

Port size

- 1** = 1/8 (651 Series)
- 2** = 1/4 (651 or 652 Series)
- 3** = 3/8 (652 Series)
- 4** = 1/2 (652 Series)

Options**

- A00** = Without option
- 101** = Side Mounting Brackets
- 111** = Metal Muffler
- 112** = Polyethylene Muffler
- 113** = Stainless Steel Fasteners
- 115** = Scissor Lock
- 117** = ATEX 1/21 zones
- 122** = Bottom Oriented Pressure Adjustment
- 123** = Gauge type mounted for right-to-left flow
- 124** = CUTR Certification

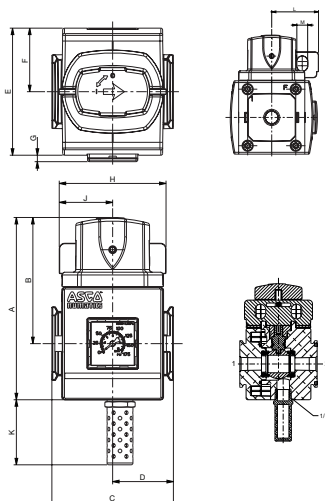
Gauge type

- G** = Low profile gauge bar
- J** = Low profile integrated gauge bar with pressure range indicators
- Q** = Round gauge bar
- 0** = No gauge port

* Conforms to ISO standards 1179-1.

** If multiple options are required, please use the on-line CAD configurator on the website to generate the part number (<http://www.asco.com/en-gb/Pages/product-configurators.aspx>).

DIMENSIONS



Series	A	B	C	D	E	F
651	99	68	66	33	69	34,5
652	99	68	66	33	69	34,5

Series	G	H	J	K	L	M
651	2,5	58	29	35	39	9
652	2,5	58	29	35	39	9

DIVERTER BLOCK

651/652 Series

G 1/4 and 1/2



Fluids	air or neutral gas
Operating pressure	max. 16 bar.
Ambient temperature	-40°C to +80°C
Body	Light Alloy

- Ideal for branching off primary 651/652 series air preparation manifold to add additional products
- 3/8 G ports on the front and back provide additional flexibility to attach or branch off the main manifold
- It can also be used to feed auxiliary air to air preparation assemblies that require additional air capacity, such as a bank of manifold regulators

YOUR SELECTION

G 651 A D 0 0 2 C A00 0 0

[2D/3D CAD models - In 3D](#)

Thread connection
G = ISO 228/1-G*

Product series
651
652

Revision letter
A

Product type
D = Diverter Block

Options*

- A00 = Without option
- 101 = Side Mounting Brackets
- 117 = ATEX 1/21 zones

Pressure switch interface

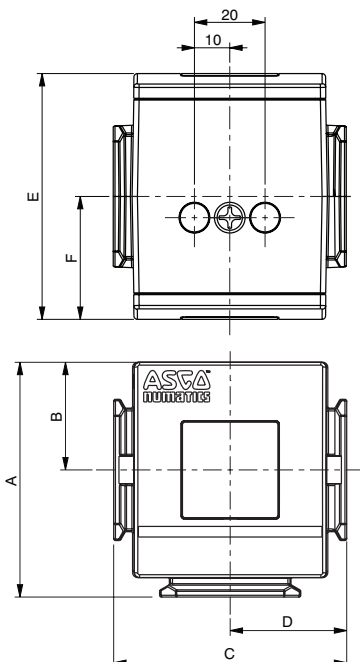
- C = Provisioned for 349 pressure switch pad mount

Port size

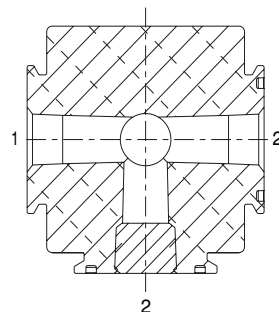
- 2 = 1/4 (651 Series)
- 4 = 1/2 (652 Series)

* If multiple options are required, please use the on-line CAD configurator on the website to generate the part number (<http://www.asco.com/en-gb/Pages/product-configurators.aspx>).

DIMENSIONS



Series	A	B	C	D	E	F	G	H
651	54,4	25	50	25	58	29	10	20
652	66,5	30,5	66	33	70	35	10	20



ACCESSORIES FOR AIR PREPARATION

YOUR SELECTION

PRESSURE GAUGES

	size	code	series		
			105	651	652
Single pressure gauge Ø 40 mm	0 - 4 bar	34300015	●	●	●
	0 - 10 bar	34300014	●		
	0 - 12 bar	34300041		●	
Single pressure gauge Ø 50 mm	0 - 25 bar	34200063		●	●
	0 - 4 bar	34200061			●
	0 - 12 bar	34200062			●
	0 - 16 bar	34200997			●







DRIP LEG AUTODRAIN



The automatic drain valve collects and drains, by means of a built-in automatic valve, water within compressed air systems. For a longer lifetime of the automatic drain valve, the unit includes a 55 µm filter element to strain main condensates.

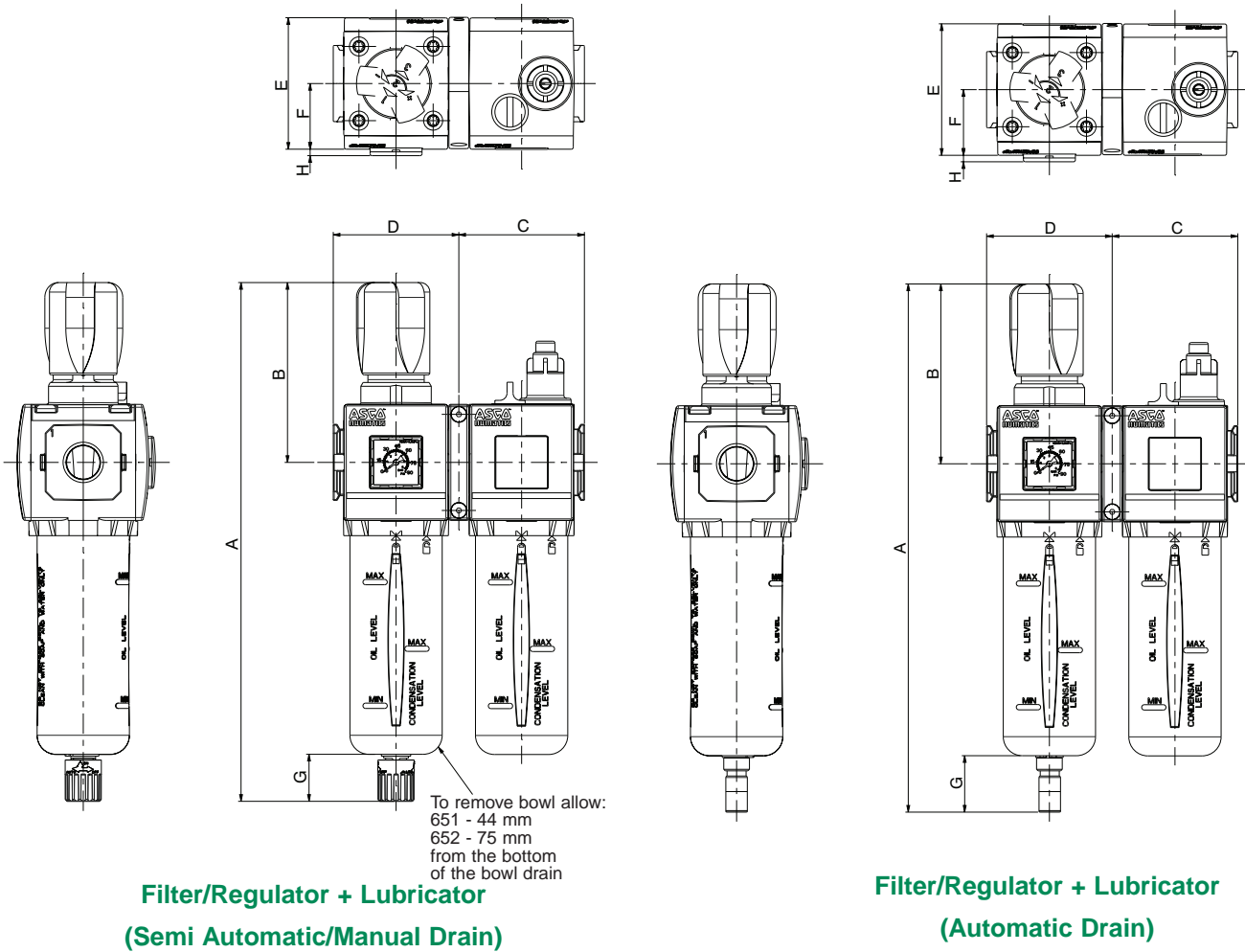
	size	Operating pressure	code
automatic drain valve	1/2	1-16 bar	34201471

		Description	Series	Part Number
Scissor Lock		Scissor Lock for Shut-Off Isolation Valve & Lockout Valve	651 652	VB-1
Mufflers/Silencers		Metal Muffler – G 1/4 (Shut-Off Isolation Valves)	651 652	M2MB
		Metal Muffler – G 1/2 (Slow-Start/Quick Exhaust & Lockouts)	652	M4MB
		Polyethylene Muffler – G 1/4 (652 - Shut-Off Isolation Valve / 651 - Slow-Start/Quick Exhaust Valves)	651 652	34600407
		Polyethylene Muffler – G 1/2 (Slow-Start/Quick Exhaust & Lockouts)	652	34600409
Key Locking Device		Key Locking Device for regulator (Lock supplied separately with 2 keys)	651 652	M699AY438663001

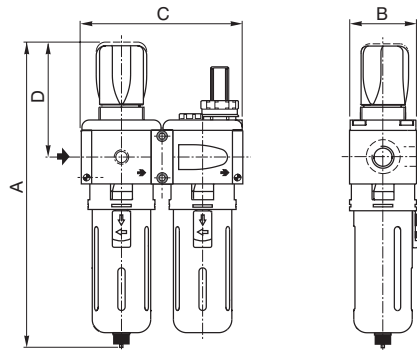
Air Preparation

DIMENSIONS

651/652 Series Filter/Regulator + Lubricator



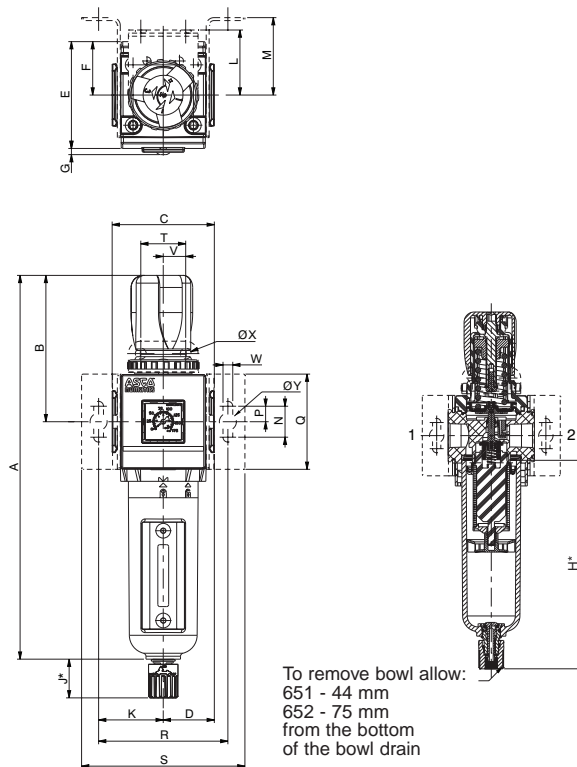
Modulair 105 Filter/Regulator + Lubricator



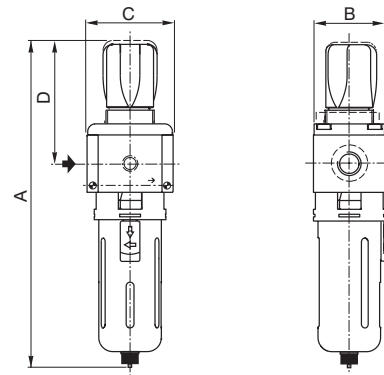
Air Preparation

DIMENSIONS

651/652 Series Particulate Filter/Regulator



Modulair 105

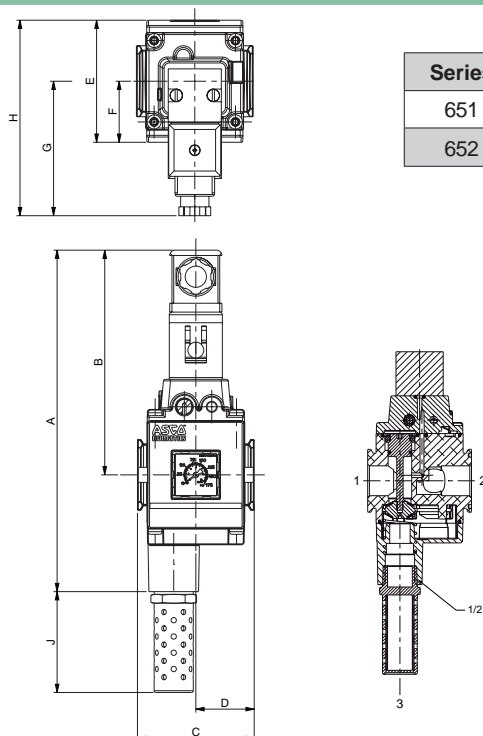


Series	A	B	C	D	E	F	G	H	J	K	L
651	215,5	77,5	50	25	58	29	3,4	116	25	35	42
652	248	94,5	66	33	69	30,5	4	160	25	41,75	42

Series	M	N	P	Q	R	S	T	V	W	ØX	ØY
651	44,5	20	10	50	70	92	29	14,5	6,3	7	11
652	50	20	10	61,5	83,5	105,5	29	14,5	6,3	7	11

*Variable dimension based on type of drain that is specified. If an Automatic Drain is specified, add another 5 mm to "J" dimension, which also adds 5mm to the "A" dimension.

Slow-Start/Quick Exhaust Valve

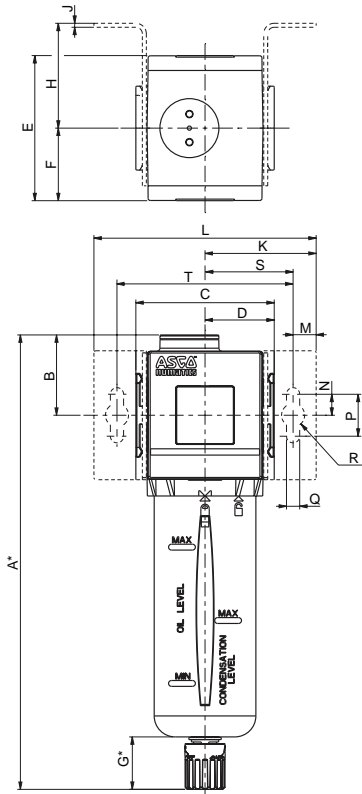


Series	A	B	C	D	E	F	G	H	J
651	170	116	50	25	58	29	72	101	34,5
652	193	127	66	33	69	30,5	76	110,5	57

Air Preparation

DIMENSIONS

651/652 Series Particulate Filter

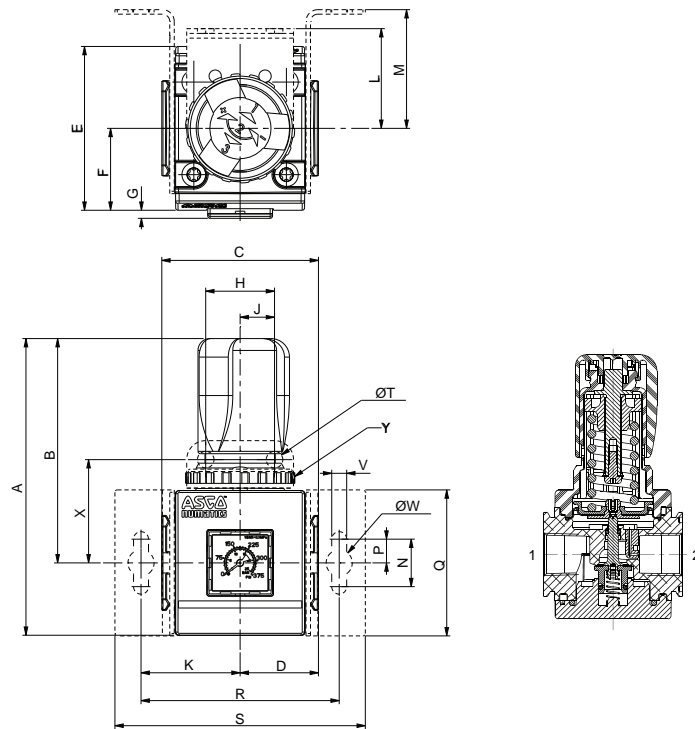


Series	A	B	C	D	E	F	G	H	J
651	197	33,8	50	25	58	29	25	44,5	1,27
652	217	38,3	66	33	69	34,5	25	50	1,9

Series	K	L	M	N	P	Q	ØR	S	T
651	46	92	11	10	20	6,3	11	35	70
652	53	106	11	10	20	6,3	11	42	84

* Variable dimension based on type of drain that is specified. If an Automatic Drain is specified, add another 5 mm to "G" dimension, which also adds 5 mm to the "A" dimension.

651/652 Series Regulator








Series	A	B	C	D	E	F	G	H	J	K	L
651	103	77,5	50	25	58	29	3,4	29	14,5	35	42
652	125	94,5	66	33	69	34,5	2,5	29	14,5	41,75	42

Series	M	N	P	Q	R	S	ØT	V	ØW	X	Y
651	44,5	20	10	50	70	92	7	6,3	11	39,1	M30 x 2
652	50	20	10	61,5	83,5	105,5	7	6,3	11	43,5	M37 x 2

ACCESSORIES FOR AIR PREPARATION

YOUR SELECTION

Air Preparation Assembly and Mounting Kits

	Description	Series	Kit Number		
	Body-to-Body Assembly Clamps (Includes NBR O-Ring). Material is aluminum.	651	P651AT504958001		
		652	P652AT502466001		
	End Plate Kit: Includes two end plates and body-to-body assembly clamps & O-Ring. End plate material is aluminum.	NBR O-Ring	1/4 ISO228/1-G	651	T651AT504959002
		FKM O-Ring	1/2 ISO228/1-G	652	T652AT502468002
			1/2 ISO228/1-G	652	T652AT502468008
	Wall/Panel Bracket Kit includes one bracket and two screws for attaching bracket to body clamp. Two brackets are required for mounting three or more products. One bracket is suitable for mounting two products. Material is aluminum.	651 652	P699AT502467001		
	Side Mounting Brackets (Includes two brackets): Designed for mounting single products to wall or panel, but is capable of handling up to 3 stations. Material is stainless steel.	651	P651AT503860001		
		652	P652AT503860002		
	Panel Nut: Used for Regulators and Filter-Regulators where adjustment knob is fed through a panel and the panel nut is then used to secure the product to the panel. Material is polyamide.	651	P651AT513928001		
		652	P652AT513177001		
	Panel Nut & Bracket: The panel nut and bracket are used to mount a Regulator or Filter-Regulator to a wall or panel. Materials are stainless steel and polyamide.	651	P651AT503861001		
		652	P652AT503861002		
	1 set of two side mounting brackets	Modulair 105	34325005		
	Top mounting ring	Modulair 105	34300011		
	Top mounting bracket	Modulair 105	34300016		

PNEUMATIC ACCESSORIES

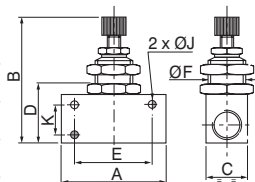
“IN LINE” PANEL MOUNTED FLOW REGULATORS

CHARACTERISTICS

Operating pressure: 1 to 10 bar
 DRV100B: vacuum, 0,2 to 10 bar
 Temperature: -10°C to +60°C
 DRV100B: -20°C to +80°C
 Aluminium bodies
 NBR (nitrile), seal



pipe size G	code
1/8	34602152
1/4	34602153
3/8	34602154
1/2	34602155
3/4	34600156



dimensions (mm)							
A	B	C	D	E	F	J	K
34	56	16	24	24	12	4,5	-
50	75	25	35	35	18	6,5	-
58	75	25	35	40	18	6,5	-
65	92	30	46	50	22	6,5	-
110	119	39	58	70	37	6,5	-

BANJO FLOW REGULATORS, ADAPTABLE ON CYLINDER

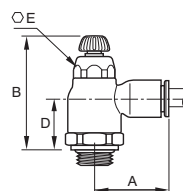
CHARACTERISTICS

Operating pressure: 1 to 10 bar
 Temperature: 0°C to +70°C
 Body: (see table)
 NBR (nitrile), seal
 Allows for direct installation in cylinder ports to create more compact units



plastic body - adjustable by button/screw

pipe size G	tube O.D. (mm)	code
M5	4	34602188
1/8	4	34602221
1/8	6	34602222
1/4	6	34602223
1/4	8	34602224
3/8	10	34602021
1/2	12	34602022

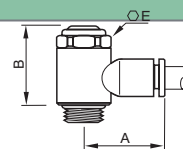


dimensions (mm)			
A	B	D	E
17	26	-	6
22	44	16	10
22	44	16	10
22	42,5	15	10
28	48	18,5	14
32	54	20	17
35	54	20	17

plastic body - adjustable by embedded screw



1/8	6	34602018
1/4	6	34602019
1/4	8	34602020

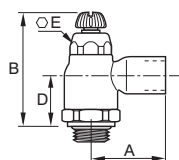


21	26	-	13
22	28	-	17
27	28	-	17

metal body, threaded output - adjustable by button/screw



pipe size G	code
1/8	34602181
1/4	34602182
3/8	34602183

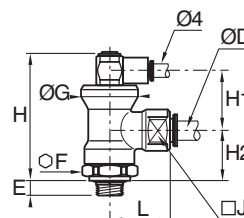


dimensions (mm)			
A	B	D	E
22,5	52,5	23	10
32	55,5	25	14
34,5	62	27	17

ORIENTABLE CYLINDER BLOCKING FITTING

Fluids	air, neutral gas, filtered, lubricated or not
Operating pressure	10 bar max.
Pilot pressure	1.5 to 4 bar
Ambient temperature	-20°C to +70°C
Body	Treated brass
Diaphragm and seals	NBR (nitrile)

pipe size G	coupler size ØD	code	dimensions (mm)							
			E	F	G	H	H1	H2	J	L
3/8	8	34602451	7,5	21	24	53	24,5	21	17	28



PNEUMATIC ACCESSORIES

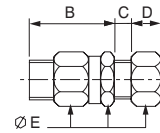
EXHAUST REGULATORS

CHARACTERISTICS

Operating pressure: 0 to 30 bar
 Temperature: -10°C to +80°C
 Brass body



pipe size G	orifice size (mm)	code
1/8	5	34600107
1/4	8	34600108



dimensions (mm)				
B	C		D	E
	min.	max.		
22	1	4	8,5	13
29	1	5	11,5	17

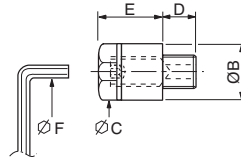
EXHAUST REGULATORS + SILENCERS

CHARACTERISTICS

Operating pressure: 0 to 10 bar
 Temperature: -10°C to +80°C
 Technical polymer body
 Silencer element in porous plastic



pipe size G	code
1/8	34600413
1/4	34600414
3/8	34600415



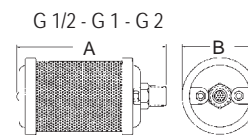
dimensions (mm)					
B	C	D	E	F	
15	13	6	14,5	2,5	
18	15	7	22	4	
2x4	20	8	30	6	

HIGH FLOW SILENCERS

Operating pressure: 10 bar max.
 40 bar optional
 Temperature: -40°C to +140°C
 Body: zinc plated steel and alu



pipe size G	flow at 6,2 bar l/min.	code
1/2	7240	SE50HB
1	22600	SE100HB
2	90600	SE200HB



dimensions (mm)	
A	B
152	80
222	98
479	133

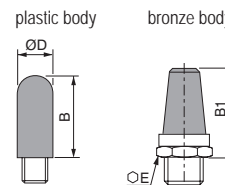
EXHAUST SILENCERS

CHARACTERISTICS

Operating pressure: 0 to 10 bar
 Ambient temperature: -10°C to +80°C
 Body: (see table)



pipe size G	code	
	plastic body	bronze body
M5	-	34600207
1/8	34600406	34600001
1/4	34600407	34600002
3/8	34600408	34600003
1/2	34600409	34600004
3/4	-	34600005
1	-	34600006



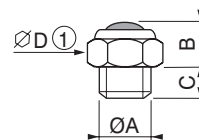
dimensions (mm)				
B	B1	D	E	
27	22,4	13	13	
34	41,6	15	16	
55	49,2	18	24	
62	54,6	23	27	
			82,3	
			93,5	

CHARACTERISTICS

Operating pressure: 0 to 10 bar
 Ambient temperature: -10°C to +80°C
 Body: stainless steel



pipe size	code
G 1/8	34600418
G 1/4	34600419
NPT 1/8	34600482
NPT 1/4	34600483
NPT 1/2	34600481



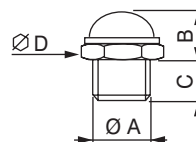
dimensions (mm)			
A	B	C	D
1/8	10	6	13
1/4	11	8	16
1/2	14	9	24

CHARACTERISTICS

Operating pressure: 0 to 12 bar
 Temperature: -10°C to +80°C
 Body: bronze



pipe size G	code
M5	34600491
1/4	34600493



dimensions (mm)			
A	B	C	D
M5	4,5	3,5	8
1/4	11	8	16

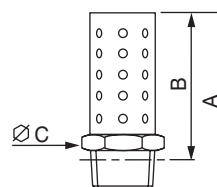
METAL AIR MUFFLERS

CHARACTERISTICS

Operating pressure: 0 to 13,8 bar
 Temperature: -20°C to +110°C
 Body: bichromated zinc steel
 Sieve: brass



pipe size G	flow at 6,2 bar l/min.	code
1/8	1246	M1MB
1/4	2718	M2MB
3/8	5660	M3MB
1/2	8600	M4MB
3/4	15850	M5MB
1	22650	M6MB



dimensions (mm)		
A	B	C
35	31	11
44	39	14
57	51	18
69	61	22
80	71	27
99	88	33

PNEUMATIC ACCESSORIES

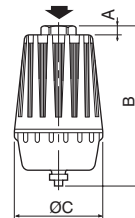
EXHAUST SILENCER FILTERS

CHARACTERISTICS

Operating pressure: 0 to 16 bar
Temperature: -5°C to +50°C
Max. differential pressure: 0,5 bar
PP (polypropylene) and aluminium body
NBR (nitrile), seal



pipe size G	max. flow (ANR) l/min.	code
1/2	1300	34600213
3/4	1600	34600214
1	2900	34600215



dimensions (mm)		
A	B	C
12	180	90
12	180	90
15	250	110

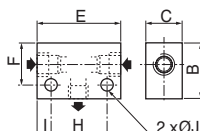
SHUTTLE VALVES

CHARACTERISTICS

Operating pressure: 1 to 10 bar
Temperature: -10°C to +60°C
Aluminium body
Internal parts: steel + NBR (nitrile)



pipe size G	orifice size (mm)	code
1/8	3,2	34600127
1/4	6	34600119



dimensions (mm)						
B	C	E	F	H	I	J
26	16	51	20,5	32	9,5	4,5
30	20	52	21,5	35	8,5	5,5

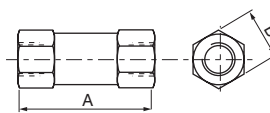
NON-RETURN VALVES

CHARACTERISTICS

Operating pressure: 0,5 to 10 bar
Temperature: -10°C to +60°C
Nickel plated brass body
NBR (nitrile), seal



pipe size G	flow at 6 bar (ANR) l/min.	code
1/8	920	34602124
1/4	1650	34602125
3/8	2400	34602444
1/2	3500	34602126



dimensions (mm)	
A	B
36,5	13
41	16
51	20
62	24

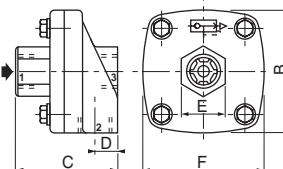
QUICK EXHAUST VALVES

CHARACTERISTICS

Operating pressure: 0,5 to 10 bar
Temperature: -10°C to +60°C
Light-alloy body
NBR (nitrile) diaphragm



pipe size G	orifice size (mm)	code
1/4	12	34600136
3/8	12	34600137
1/2	20	34600138
3/4	20	34600139



dimensions (mm)				
B	C	D	E	F
64	52	13	25	64
64	52	13	25	64
85	72	19	38	97
85	72	19	38	97

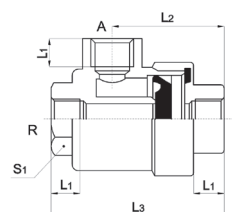
HIGH FLOW SILENCERS

CHARACTERISTICS

Operating pressure: 1 to 10 bar
Temperature: -20°C to +70°C
Body: nickel plated brass
Diaphragm: PUR (polyurethane) (option Viton®)
<i>(Viton® is a registered trademark of Dupont Performance Elastomers)</i>



pipe size G	code
3/8	SEV37C
1/2	SEV50C



dimensions (mm)			
L1	L2	L3	S1
11	35	54	19
14	45	72	26

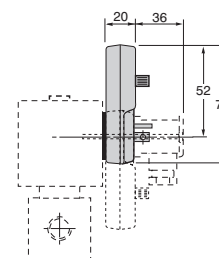
ELECTRONIC TIMERS

CHARACTERISTICS

Number of pins: 2 + earth ground
Approval: CSA
Housing: PA (polyamide)
Connector complies with: ISO 4400
Standard voltages: 24 to 240V DC / AC (50/60Hz)
Max. power (I = 1A max.): 24VA (24V) to 240VA (240V)



timer control	timer orientation	voltage	code
ON signal sec	OFF signal min	DC/AC = / ~ V	88122627
2...40	0,5...45	180°x180°	24 to 240



PNEUMATIC ACCESSORIES

ADJUSTABLE SUBBASE MOUNTED OR G1/4 PRESSURE SWITCHES

Visualisation and electrical protection	without	with
Fluids	air, neutral gas, filtered, lubricated or not	
Regulation range	see below	
Hysteresis	0,4 bar / 1 bar	
Shut-off capability	5 A - 250 V resistive	2 A - 24 V DC resistive
Temperature	-10°C to +60°C	0°C to +60°C
Electrical connection	ISO 4400 / EN 175301-803, form A	
Max. voltage	250 V AC/DC	24 V DC
Degree of protection	IP65	
Body	PC (polycarbonate)	
Seals	NBR (nitrile)	



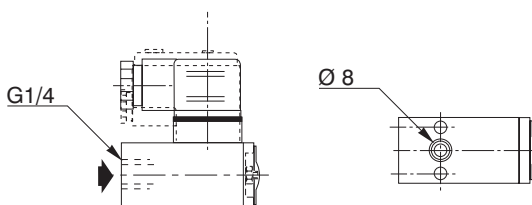
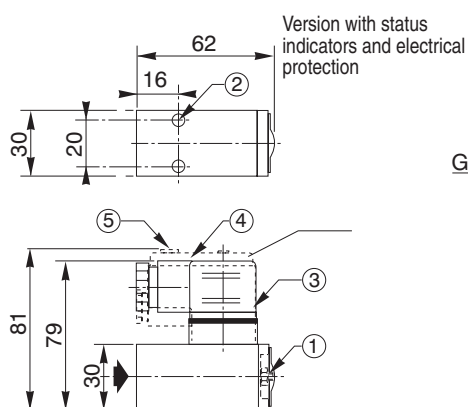
Regulation range code

Threaded body		
with side pneumatic connection, threaded G1/4	0,5 to 10 bar	34900018
with side pneumatic connection, threaded G1/4	0,2 to 6 bar	34900015
with side pneumatic connection, threaded G1/4, with status indicators and electrical protection	0,5 to 10 bar	34900019
Subbase mounted		
with subbase mounted pneumatic connections	0,5 to 10 bar	34900030
with subbase mounted pneumatic connections, with status indicators and electrical protection	0,5 to 10 bar	34900031
adjustable vacuum switch		
with side pneumatic connection, threaded G1/4	0,5 to 10 bar	34900012

all versions

threaded body G1/4

subbase



- ① pressure set screw (3mm hex screw)
- ② 2 mounting holes, Ø 5,5 mm
- ③ ISO 4400 connector, 4 terminals, rotatable through 90° x 90°
- ④ non-rotatable connector
- ⑤ label holder

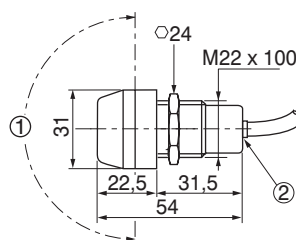
PNEUMATIC INDICATOR

CHARACTERISTICS

Fluids	air, neutral gas, filtered, lubricated or not
Operating pressure	2 to 8 bar
Ambient temperature	+5°C to +70°C
Angle of vision	180°
Lens	PC (polycarbonate)
Body and collar	POM (polyacetal)
Nut	Brass



colour	code
red	34600130
yellow	34600131



- ① Angle of vision 180°
- ② Instant fittings for flexible tube Ø 4 O.D.

CONNECTORS

sizes 15, 22 and 30



	size 15	size 22	size 30
Connector specification	DIN 43650, 9,4 mm, form C	DIN 43650, 11 mm, industry standard B	ISO 4400 / EN 175301-803, form A
Number of contacts	2 + common earth		
Distance between contacts	9,4/8 mm	11 mm	18 mm
Degree of protection	IP65		
Connection cable	by screw or by cable		
Wire cross-section	0,5 mm ² /0,75 mm ²	0,75 mm ² /1,5 mm ²	
Standard housing	PA (polyamide), glass-fibre reinforced		
Housing with LED	transparent polyamide (PA)		
Cable diameter	4 to 6 mm	6 to 8 mm	6 to 10 mm
Version with LED	-	6 to 8 mm	8 to 10 mm

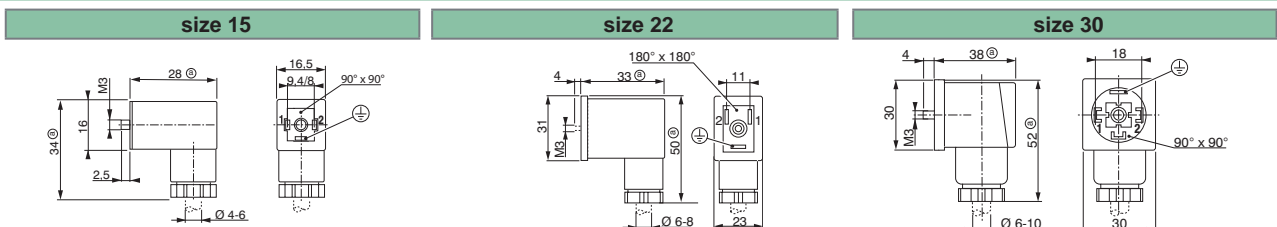
- Spade connector sizes 22 and 30 to fit standardised three pin moulded coil
- Available in non-rotatable design or rotatable with and without LED indicator
- Size 30 available with removable cover enabling easy access to wiring

YOUR SELECTION

voltage DC (=) / AC (-) V	code			
	size 15 9,4 mm	size 22 8 mm	size 22	size 30
Standard connector				
all	88143581	88130211	88122404	88122602
Connector with cable length of 2 meters				
all	88143567	-	88122413	88122612
Connector with integrated visualisation and protection				
24 V DC/AC	88143580 (1)	-	88122405	88122603
48 V DC/AC	-	-	88122406	88122604
115 V DC/AC	-	-	88122407	88122605
230 V DC/AC	-	-	88122410	88122608
Connector with protection by TRANSIL and LED display for general purpose				
115 V DC/AC	-	-	-	88122618 (2)
115 V DC/AC	-	-	-	88122619 (3)
Connector with protection by TRANSIL and LED display for automobile industry				
24 V DC/AC	-	-	-	88122620 (1)
24 V DC/AC	-	-	-	88122621 (3)

(1) : 2 m cable (2) : 3 m cable (3) : 5 m cable

DIMENSIONS



OPTIONS AND ACCESSORIES

Batch of 100 connectors,
standard size 22
code: **88122421**

Batch of 100 connectors,
standard size 30
code: **88122636**

REPLACEMENT COILS

YOUR SELECTION

product code	coil type	product code	coil type	product code	coil type	product code	coil type
18900001	CM22 - F - 2.5W/3W	E220K406S1T00H8	MXX II - HT -10,1W	E262K108S1N00F8	MXX II - FT -10,1W	E262K232S1N00FL	MXX II - FT -10,1W
18900002	CM22 - F - 2.5W/3W	E220K406S1T00HL	MXX II - HT -10,1W	E262K108S1N00FL	MXX II - FT -10,1W	E262K232S1N00FR	MXX II - FT -10,1W
18900010	CM22 - F - 2.5W/3W	E220K406S1T00HT	MXX II	E262K108S1N00FR	MXX II - FT -10,1W	E262K232S1N00FT	MXX II - FT -10,1W
18900011	CM22 - F - 2.5W/3W	E220K406S2T00H8	MXX II	E262K108S1N00FT	MXX II - FT -10,1W	E262K232S1N00H1	MXX II - HT -11,6W
18900032	CM22 - F - 2.5W/3W	E220K406S2T00HL	MXX II	E262K108S1N00H1	MXX II - HT -11,6W	E262K232S1N00H9	MXX II - HT -11,6W
19000005	C25A - F - 3W	E220K406S2T00HR	MXX II	E262K108S1N00H9	MXX II - HT -11,6W	E262K232S1N01F8	MXX II - FT -10,1W
19000006	C25A - F - 3W	E220K406S2T00HT	MXX II	E262K108S1N01FL	MXX II - FT -10,1W	E262K232S1N01FL	MXX II - FT -10,1W
19000008	C25A - F - 3W	E220K406S3T00H8	MXX II - HT -10,1W	E262K108S1N01FR	MXX II - FT -10,1W	E262K232S1N01FR	MXX II - FT -10,1W
19000013	C25A - F - 3W	E220K406S3T00HL	MXX II - HT -10,1W	E262K108S1N01FT	MXX II - FT -10,1W	E262K232S1N01FT	MXX II - FT -10,1W
19000014	C25A - F - 3W	E220K406S3T00HR	MXX II	E262K108S1N01FT	MXX II - FT -10,1W	E262K232S1N01H1	MXX II - HT -11,6W
19000016	C25A - F - 3W	E220K406S3T00HT	MXX II	E262K108S1N01H1	MXX II - HT -11,6W	E262K232S1N01H9	MXX II - HT -11,6W
19000017	C25A - F - 3W	E220K408S0T00F8	MXX II	E262K108S1N01H9	MXX II - HT -10,1W	E262K232S1TD0F8	MXX II - FT -10,1W
19000018	C25A - F - 3W	E220K408S0T00FL	MXX II	E262K108S1V00F8	MXX II - FT -10,1W	E262K232S1TD0FL	MXX II - FT -10,1W
19000021	C25A - F - 3W	E220K408S0T00FR	MXX II	E262K109S1N00F8	MXX II - FT -17,1W	E262K232S1TD0FT	MXX II - FT -10,1W
19000022	C25A - F - 3W	E220K408S0T00FT	MXX II	E262K109S1N00H1	MXX II - HT -22,6W	E262K232S1TD0H1	MXX II - HT -11,6W
19201001	C25A - F - 3W	E220K408S1T00F8	MXX II - FT -10,1W	E262K109S1N01H1	MXX II - HT -22,6W	E262K261S1N00F8	MXX II - FT -10,1W
19201002	C30A	E220K408S1T00FL	MXX II - FT -10,1W	E262K109S1V00F8	MXX II - FT -17,1W	E262K261S1N00FL	MXX II - FT -10,1W
19201003	C30A	E220K408S1T00FR	MXX II	E262K110S1V00F8	MXX II - FB -17,1W	E262K261S1N00FR	MXX II - FT -10,1W
19201007	C30A	E220K408S1T00FT	MXX II	E262K110S1V00H1	MXX II - HB -22,6W	E262K261S1N00FT	MXX II - FT -10,1W
19201008	C30A	E220K408S2T00F8	MXX II	E262K112S1N00H1	MXX II - HB -22,6W	E262K261S1N00H1	MXX II - HT -11,6W
19201009	C30A	E220K408S2T00FL	MXX II	E262K112S1N01FT	MXX II - FB -17,1W	E262K261S1N00H9	MXX II - HT -11,6W
19201022	C30A	E220K408S2T00FR	MXX II	E262K112S1V00H1	MXX II - HB -22,6W	E262K262S1N00F8	MXX II - FT -10,1W
19201023	C30A	E220K408S2T00FT	MXX II	E262K114S1N00F8	MXX II - FB -17,1W	E262K262S1N00FL	MXX II - FT -10,1W
19201024	C30A	E220K408S3T00F8	MXX II	E262K114S1N00H1	MXX II - HB -22,6W	E262K262S1N00FR	MXX II - FT -10,1W
19201028	C30A	E220K408S3T00FL	MXX II	E262K114S1TD0FT	MXX II - FB -17,1W	E262K262S1N00FT	MXX II - FT -10,1W
19201029	C30A	E220K408S3T00FR	MXX II	E262K114S1TD0H1	MXX II - HB -22,6W	E262K262S1N00H1	MXX II - HT -11,6W
19201030	C30A	E220K408S3T00FT	MXX II	E262K182S1N00H1	MXX II - HT -11,6W	E262K262S1N00H9	MXX II - HT -11,6W
19201136	C30A	E220K409S0T00H8	MXX II	E262K182S1N01F8	MXX II - FT -10,1W	E262K262S1V00F8	MXX II - FT -10,1W
19201137	C30A	E220K409S0T00HL	MXX II	E262K182S1N01FL	MXX II - FT -10,1W	E262K264S1N00F8	MXX II - FT -10,1W
19201138	C30A	E220K409S0T00HR	MXX II	E262K182S1N01FR	MXX II - FT -10,1W	E262K265S1N00H1	MXX II - HT -11,6W
19201142	C30A	E220K409S0T00HT	MXX II	E262K182S1N01FT	MXX II - FT -10,1W	E263K124S1N01F8	MXX II - FT -10,1W
19201143	C30A	E220K409S1T00H1	MXX II - HF -15,6W	E262K182S1N01H1	MXX II - HT -11,6W	E263K124S1N01FL	MXX II - FT -10,1W
19201144	C30A	E220K409S1T00H8	MXX II - HT -10,1W	E262K182S1N01H9	MXX II - HT -11,6W	E263K124S1N01FR	MXX II - FT -10,1W
55102009	CM22 - F - 2.5W	E220K409S1T00HL	MXX II - HT -10,1W	E262K182S1V00H1	MXX II - HT -11,6W	E263K124S1N01FT	MXX II - FT -10,1W
55102011	CM22 - F - 2.5W	E220K409S1T00HR	MXX II	E262K184S1N01F8	MXX II - FT -10,1W	E263K124S1N01H1	MXX II - HT -11,6W
8262K114S1TD0F8	MXX II - FB -17,1W	E220K409S1T00HT	MXX II - HT -10,1W	E262K184S1N01FL	MXX II - FT -10,1W	E263K124S1N01H9	MXX II - HT -11,6W
8262K114S1TD0FL	MXX II - FB -17,1W	E220K409S2T00H8	MXX II	E262K184S1N01FR	MXX II - FT -10,1W	E263K195S1N01F8	MXX II - FT -10,1W
8262K114S1TD0FT	MXX II - FB -17,1W	E220K409S2T00HL	MXX II	E262K184S1N01FT	MXX II - FT -10,1W	E263K195S1N01FL	MXX II - FT -10,1W
8262K114S1TD0H1	MXX II - HB -22,6W	E220K409S2T00HR	MXX II	E262K184S1N01H1	MXX II - HT -11,6W	E263K195S1N01FR	MXX II - FT -10,1W
8262K121S1TD0F8	MXX II - FB -17,1W	E220K409S2T00HT	MXX II	E262K184S1N01H9	MXX II - HT -11,6W	E263K195S1N01FT	MXX II - FT -11,6W
8262K212S1TD0FL	MXX II - FB -17,1W	E220K409S3T00H8	MXX II	E262K202S1N00F8	MXX II - FT -10,1W	E263K195S1N01H1	MXX II - HT -11,6W
8262K212S1TD0FT	MXX II - FB -17,1W	E220K409S3T00HL	MXX II	E262K202S1N00FL	MXX II - FT -10,1W	E263K195S1N01H9	MXX II - HT -11,6W
8262K232S1TD0F8	MXX II - FT -10,1W	E220K409S3T00HR	MXX II	E262K202S1N00FR	MXX II - FT -10,1W	E263K200S1N01F8	MXX II - FT -10,1W
8262K232S1TD0FL	MXX II - FT -10,1W	E220K409S3T00HT	MXX II	E262K202S1N00FT	MXX II - FT -10,1W	E263K200S1N01FL	MXX II - FT -10,1W
8262K232S1TD0FT	MXX II - FT -10,1W	E262K013S1N00F8	M6 II - FT -11,1W	E262K202S1N00H1	MXX II - HT -11,6W	E263K200S1N01FR	MXX II - FT -10,1W
8262K232S1TD0H1	MXX II - HT -11,6W	E262K013S1N00H1	M6 II - HT -10,6W	E262K202S1N00H9	MXX II - HT -11,6W	E263K200S1N01FT	MXX II - FT -10,1W
8263K206S1TD0FL	MXX II - FB -17,1W	E262K020S1N00F8	M6 II - FT -11,1W	E262K202S1N01F8	MXX II - FT -10,1W	E263K200S1N01H1	MXX II - HT -11,6W
8263K206S1TD0FT	MXX II - FB -17,1W	E262K020S1N00FL	M6 II - FT -8,1W	E262K202S1N01FL	MXX II - FT -10,1W	E263K200S1N01H9	MXX II - HT -11,6W
8263K210S1TD0F8	MXX II - HB -22,6W	E262K020S1N00FR	M6 II - FT -8,1W	E262K202S1N01FR	MXX II - FT -10,1W	E263K206S1TD0FT	MXX II - FB -17,1W
8263K210S1TD0FL	MXX II - FB -17,1W	E262K020S1N00FT	M6 II - FT -8,1W	E262K202S1N01FT	MXX II - FT -10,1W	E263K210S1TD0FL	MXX II - FB -17,1W
8263K210S1TD0FT	MXX II - FB -17,1W	E262K020S1N00H1	M6 II - HT -10,6W	E262K202S1N01H1	MXX II - HT -11,6W	E263K210S1TD0FT	MXX II - FB -17,1W
8263K210S1TD0H1	MXX II - HB -22,6W	E262K020S1N00H9	M6 II - HT -10,6W	E262K202S1N01H9	MXX II - HT -11,6W	E263K210S1TD0H1	MXX II - HB -22,6W
8263K232S1TD0F8	MXX II - FT -10,1W	E262K020S1V00F8	M6 II - FT -11,1W	E262K208S1E00F8	MXX II - FT -10,1W	E263K232S1TD0F8	MXX II - FT -10,1W
8263K232S1TD0FL	MXX II - FT -10,1W	E262K020S1V00H1	M6 II - HT -10,6W	E262K208S1E00FL	MXX II - FT -10,1W	E263K232S1TD0FL	MXX II - FT -10,1W
8263K232S1TD0FT	MXX II - FT -10,1W	E262K022S1N00F8	M6 II - FT -8,1W	E262K208S1E00FR	MXX II - FT -10,1W	E263K232S1TD0FT	MXX II - FT -10,1W
8263K232S1TD0H1	MXX II - HT -11,6W	E262K022S1N00FL	M6 II - FT -8,1W	E262K208S1E00FT	MXX II - FT -10,1W	E263K232S1TD0H1	MXX II - HT -11,6W
8263K240S1TD0F8	MXX II - FT -10,1W	E262K022S1N00FR	M6 II - FT -8,1W	E262K208S1E00H1	MXX II - HT -11,6W	E263K331S1N01F8	MXX II - FT -10,1W
8263K240S1TD0FL	MXX II - FT -10,1W	E262K022S1N00FT	M6 II - FT -8,1W	E262K208S1E00H9	MXX II - HT -11,6W	E263K331S1N01FL	MXX II - FT -10,1W
8263K240S1TD0FT	MXX II - FT -10,1W	E262K022S1N00H1	M6 II - HT -10,6W	E262K208S1E00H9	MXX II - HT -11,6W	E263K331S1N01FR	MXX II - FT -10,1W
8263K240S1TD0H1	MXX II - HT -11,6W	E262K022S1N00H9	M6 II - HT -10,6W	E262K208S1N00F8	MXX II - FT -10,1W	E263K331S1N01FT	MXX II - FT -10,1W
E220K403S1T00H1	MXX II - HF -15,6W	E262K022S1V00F8	M6 II - FT -11,1W	E262K208S1N00FR	MXX II - FT -10,1W	E263K331S1N01H1	MXX II - HT -11,6W
E220K405S0T00F8	MXX II - FT -10,1W	E262K022S1V00FL	M6 II - FT -8,1W	E262K208S1N00FT	MXX II - FT -10,1W	E263K331S1N01H9	MXX II - HT -11,6W
E220K405S0T00FL	MXX II - FT -10,1W	E262K022S1V00FR	M6 II - FT -8,1W	E262K208S1N00H1	MXX II - HT -11,6W	E314K007S1VN1FT	MXX II - FT -10,1W
E220K405S0T00FR	MXX II - FT -10,1W	E262K022S1V00FT	M6 II - FT -8,1W	E262K208S1N00H9	MXX II - HT -11,6W	E314K008S1N00F8	MXX II - FT -10,1W
E220K405S0T00FT	MXX II - FT -10,1W	E262K022S1V00H1	M6 II - HT -10,6W	E262K208S1N01FL	MXX II - FT -10,1W	E314K008S1V00F1	MXX II - FT -11,6W
E220K405S0T00H1	MXX II - HT -10,1W	E262K022S1V00H9	M6 II - HT -10,6W	E262K208S1N01FL	MXX II - FT -10,1W	E314K008S1V00F8	MXX II - FT -10,1W
E220K405S1T00F8	MXX II - FT -10,1W	E262K023S1N00F8	M6 II - FB -11,1W	E262K208S1N01FR	MXX II - FT -10,1W	E314K008S1V00F9	MXX II - FT -11,6W
E220K405S1T00FL	MXX II - FT -10,1W	E262K023S1N00FL	M6 II - FB -11,1W	E262K208S1N01FT	MXX II - FT -10,1W	E314K008S1V00FL	MXX II - FT -10,1W
E220K405S1T00FR	MXX II - FT -10,1W	E262K023S1N00FR	M6 II - FT -11,1W	E262K208S1N01H1	MXX II - HT -11,6W	E314K008S1V00FR	MXX II - FT -10,1W
E220K405S1T00FT	MXX II - FT -10,1W	E262K023S1N00FT	M6 II - FB -11,1W	E262K208S1N01H9	MXX II - HT -11,6W	E314K008S1V00FT	MXX II - FT -10,1W
E220K405S2T00F8	MXX II - FT -10,1W	E262K023S1N00H1	M6 II - HB -18,6W	E262K210S1N00F8	MXX II - FT -10,1W	E314K008S1V00H1	MXX II - HT -11,6W
E220K405S2T00FL	MXX II - FT -10,1W	E262K023S1N00H9	M6 II - HB -18,6W	E262K210S1N00FT	MXX II - FT -10,1W	E314K034S1VN0F8	MXX II - FT -10,1W
E220K405S2T00FR	MXX II - FT -10,1W	E262K090S1N00F8	M6 II - FT -11,1W	E262K210S1V00H1	MXX II - HT -10,1W	E314K035S1N00F1	MXX II - FT -11,6W
E220K405S2T00FT	MXX II - FT -10,1W	E262K090S1N00FL	M6 II - FT -8,1W	E262K212S1N00F8	MXX II - FB -17,1W	E314K035S1N00F8	MXX II - FT -10,1W
E220K405S3T00F8	MXX II - FT -10,1W	E262K090S1N00FR	M6 II - FT -8,1W	E262K212S1N00FL	MXX II - FB -17,1W	E314K035S1N00F9	MXX II - FT -10,1W
E220K405S3T00FL	MXX II - FT -10,1W	E262K090S1N00FT	M6 II - FT -8,1W	E262K212S1N00FR	MXX II - FB -17,1W	E314K035S1N00FL	MXX II - FT -10,1W
E220K405S3T00FR	MXX II - FT -10,1W	E262K090S1N00H1	M6 II - FT -10,6W	E262K212S1N00FT	MXX II - FB -17,1W	E314K035S1N00FR	MXX II - FT -10,1W
E220K405S3T00FT	MXX II - FT -10,1W	E262K090S1N00H9	M6 II - FT -8,1W	E262K212S1N00H1	MXX II - HB -22,6W	E314K035S1N00FT	MXX II - FT -10,1W
E220K406S0T00H8	MXX II - HT -10,1W	E262K090S1NG0F5	M6 II - FT -8,1W	E262K212S1N00H9	MXX II - HB -22,6W	E314K035S1N01F1	MXX II - FT -11,6W
E220K406S0T00HL	MXX II - HT -10,1W	E262K090S1NG0F8	M6 II - FT -8,1W	E262K212S1TD0FT	MXX II - FB -17,1W	E314K035S1N01F8	MXX II - FT -10,1W
E220K406S0T00HR	MXX II	E262K090S1NG0FE	M6 II - FT -8,1W	E262K212S1TD0H1	MXX II - HB -22,6W	E314K035S1N01F9	MXX II - FT -10,1W
E220K406S0T00HT	MXX II	E262K090S1NG0FL	M6 II - FT -8,1W	E262K214S1W00F8	MXX II - FT -10,1W	E314K035S1N01FL	MXX II - FT -10,1W
E220K406S1T00H1	MXX II - HF -15,6W	E262K090S1NG0FP	M6 II - FT -8,1W	E262K232S1E00FT	MXX II - FT -10,1W	E314K035S1N01FR	MXX II - FT -10,1W
		E262K090S1NG0FT	M6 II - FT -8,1W	E262K232S1N00F8	MXX II - FT -10,1W	E314K035S1N01FT	MXX II - FT -10,1W

2017/R01
Availability, design and specifications are subject to change without notice. All rights reserved.



REPLACEMENT COILS

YOUR SELECTION

product code	coil type	product code	coil type	product code	coil type
E314K035S1VN1F1	MXX II -FT -11,6W	SCE222E002LT	CMXX-FT/CM12-FT	SCG551A002MS	CM22-2,5W/3W
E314K035S1VN1F8	MXX II -FT -10,1W	SCE238D001	CM22-4W/6,9W	SCG551A005MS	CM22-2,5W/3W
E314K036S1N00F1	MXX II -FT -11,6W	SCE238D001(MO)	CM22-4W/6,9W	SCG551A017MS	CM22-2,5W/3W
E314K036S1N00FT	MXX II -FT -10,1W	SCE238D001E	CM22-4W/6,9W	SCG551A018MS	CM22-2,5W/3 W
E314K054S1N00F1	MXX II -FT -11,6W	SCE238D001MO	CM22-4W/6,9W	SCG551A067MS	CM22-2,5W/3 W
E314K054S1N00F8	MXX II -FT -10,1W	SCE238D002	CM22-4W/6,9W	SCHTE370A017	CMXX-HT
E314K054S1N00F9	MXX II -FT -11,6W	SCE238D002(MO)	CM22-4W/6,9W	SCXE238D001	CM22-4W/6,9W
E314K054S1N00FL	MXX II -FT -10,1W	SCE238D002E	CM22-4W/6,9W	SCXE238D001MO	CM22-4W/6,9W
E314K054S1N00FR	MXX II -FT -10,1W	SCE238D003	CM22-4W/6,9W	SCXE238D002	CM22-4W/6,9W
E314K054S1N00FT	MXX II -FT -10,1W	SCE238D003(MO)	CM22-4W/6,9W	SCXE238D004	CM22-4W/6,9W
E314K054S1N01F1	MXX II -FT -11,6W	SCE238D004	CM22-4W/6,9W	SCXE238D005	CM22-4W/6,9W
E314K054S1N01F8	MXX II -FT -10,1W	SCE238D004(MO)	CM22-4W/6,9W		
E314K054S1N01F9	MXX II -FT -11,6W	SCE238D005	CM22-4W/6,9W		
E314K054S1N01FL	MXX II -FT -10,1W	SCE238D005(MO)	CM22-4W/6,9W		
E314K054S1N01FR	MXX II -FT -10,1W	SCE238D006	CM25-5W/6,9W		
E314K054S1N01FT	MXX II -FT -10,1W	SCE238D006(MO)	CM25-5W/6,9W		
E314K068S1V00F1	MXX II -FT -11,6W	SCE238D007	CM25-5W/6,9W		
E314K068S1V00F8	MXX II -FT -10,1W	SCE238D007MO	CM25-5W/6,9W		
E314K068S1V00F9	MXX II -FT -11,6W	SCE238D008	CM25-5W/6,9W		
E314K068S1V00FL	MXX II -FT -10,1W	SCE238D008(MO)	CM25-5W/6,9W		
E314K068S1V00FR	MXX II -FT -10,1W	SCE238D009	CM25-5W/6,9W		
E314K068S1V00FT	MXX II -FT -10,1W	SCE238D009MO	CM25-5W/6,9W		
E314K130S1N00F1	MXX II -FT -11,6W	SCE238D010	CM25-5W/6,9W		
EME210C094	CMXX-FT	SCE263-209LT	CMXX-FT		
G262K002S1N00F8	M6 II -FT -8,1W	SCE263A210LT	CMXX-FT		
G262K002S1N00FL	M6 II -FT -8,1W	SCE263B206LT	CMXX-FT		
G262K002S1N00FR	M6 II -FT -8,1W	SCE370A017	CMXX-FT		
G262K002S1N00FT	M6 II -FT -8,1W	SCE370A017	CMXX-FT		
G262K002S1N00H1	M6 II -HT -10,6W	SCE370A017(MS)	CMXX-FT		
G262K002S1N00H9	M6 II -HT -10,6W	SCE370A017MS	CMXX-FT		
G262K002S1NG0F8	M6 II -FT -8,1W	SCE370A021MS	CMXX-FT		
G262K002S1NG0FE	M6 II -FT -8,1W	SCE370A046	CMXX-FT		
G262K002S1NG0FL	M6 II -FT -8,1W	SCE370A057V	CMXX-FT		
G262K002S1NG0FT	M6 II -FT -8,1W	SCG210C087	CMXX-FB/FT		
G263K240S1TD0F8	MXX II -FT -10,1W	SCG210C087V	CMXX-FB/FT		
G263K240S1TD0FL	MXX II -FT -10,1W	SCG238A044	CM6-FT		
G263K240S1TD0FT	MXX II -FT -10,1W	SCG238A046	CM6-FT		
G263K240S1TD0H1	MXX II -HT -11,6W	SCG238A047	CM6-FT		
H262K020S1EM0H1	M6 II -HT -10,6W	SCG238A047E	CM6-FT		
H262K020S1EM0H3	M6 II -HT -10,6W	SCG238A048	CM6-FT		
H262K020S1EM0J7	M6 II -HT -10,6W	SCG238A048BW	CM6-FT		
SCB210B030	MXX - FT -10,1W	SCG238A049	CM6-FT		
SCB210C087	CMXX-FB/FT	SCG238A050	CM6-FB		
SCB263-209LT	CMXX-FT	SCG238C016	ZA10-8W/9W		
SCB263A210LT	CMXX-FT	SCG238C017	ZA10-8W/9W		
SCE210-100	CMXX-FT	SCG238C017(MO)	ZA10-8W/9W		
SCE210A015	M6 - FT/MXX - FT	SCG238C018	ZA10-8W/9W		
SCE210B057	M12 - FB	SCG238D101V	CM22-4W/6,9W		
SCE210B154	CM12-FT/FB	SCG238D102V	CM22-4W/6,9W		
SCE210B154V	CM12-FT/FB	SCG238D103V	CM22-4W/6,9W		
SCE210B155	CM12-FT/FB	SCG238D104V	CM22-4W/6,9W		
SCE210B156	CM12-FT/FB	SCG240A101	BMX-6W		
SCE210B156V	CM12-FT/FB	SCG240A103	AMX-6W		
SCE210C033	CMXX-FT	SCG256B001VMS	CM22-4W/6,9W		
SCE210C033NV	CMXX-FT	SCG256B002VMS	CM22-4W/6,9W		
SCE210C034	CMXX-FT	SCG256B003VMS	CM22-4W/6,9W		
SCE210C034MB	CMXX-FT	SCG256B004NVMS	CM22-4W/6,9W		
SCE210C034N	CMXX-FT	SCG256B004VMS	CM22-4W/6,9W		
SCE210C034V	CMXX-FT	SCG256B006VMS	CM22-4W/6,9W		
SCE210C035	CMXX-FT	SCG256B013VMS	CM22-4W/6,9W		
SCE210C093	CMXX-FT	SCG256B014EMS	CM22-4W/6,9W		
SCE210C093MO	CMXX-FT	SCG256B015VMS	CM22-4W/6,9W		
SCE210C093V	CMXX-FT	SCG256B016VMS	CM22-4W/6,9W		
SCE210C094	CMXX-FT	SCG256B402VMS	CM22-4W/6,9W		
SCE210C094BW	CMXX-FT	SCG256B404VMS	CM22-4W/6,9W		
SCE210C094E	CMXX-FT	SCG256B434VMS	CM25-5W/5W		
SCE210C094MO	CMXX-FT	SCG256B466VMS	CM25-5W/5W		
SCE210C094N	CMXX-FT	SCG256B470VMS	CM25-5W/5W		
SCE210C094V	CMXX-FT	SCB327B001	CMXX-FT		
SCE210D001	CM6-FT/MXX-FT	SCG327B001	CMXX-FT		
SCE210D002	M6 -FT/MXX - FT	SCB327B002	CMXX-FT		
SCE210D002	CM6-FT/MXX-FT	SCG327B002	CMXX-FT		
SCE210D009	CM6-FT/MXX-FT	SCG356B001VMS	CM22-4W/6,9W		
SCE210D022	CM6-FT/MXX-FT	SCG356B002VMS	CM22-4W/6,9W		
SCE210D095	CMXX-FT	SCG356B002VMS	CM22-4W/6,9W		
SCE210D095BW	CMXX-FT	SCG356B004VMS	CM22-4W/6,9W		
SCE210D095MO	CMXX-FT	SCG356B006VMS	CM22-4W/6,9W		
SCE210D095V	CMXX-FT	SCG356B014VMS	CM22-4W/6,9W		
SCE210D095VM	CMXX-FT	SCG356B053VMS	CM22-4W/6,9W		
SCE220-025	CMXX-HT/CM12-FT	SCG356B466VMS	CM25-5W/5W		
SCE220A021	CMXX-HT	SCG356B466VMS	CM25-5W/6,9W		
SCE222B094	CMXX-FT/CM12-FT	SCG356B470VMS	CM25-5W/6,9W		
SCE222B095	CMXX-FT/CM12-FT	SCG551A001MS	CM22-2,5W/3W		

REPLACEMENT COILS

YOUR SELECTION

coil type	code					
	Alternating current (AC) (~) (50Hz)				Direct current (DC)	
	24V ~	48V ~	115V ~	230V ~	24V =	48V =
 AMX-6W	-	-	-	43005157	-	-
 ANX-7,5W	-	-	-	43005275	43005272	-
 BMX-6W	-	-	-	43005171	-	-
 CM6-FB	400325-201	-	-	400325-217	400325-242	-
 CM6-FT	400325-101	400325-105	400325-118	400325-117	400325-142	-
 CMXX-FT	400425-101	400425-105	400425-118	400425-117	400425-142	400425-144
 CMXX-FT (series 327)	123664-001	123664-005	123664-018	123664-018	400425-142	400425-144
 CMXX-HT	400426-101	-	-	400426-117	400426-142	-
 CM12-FB/-FT	400525-101	400525-105	400525-118	400525-117	400625-242	-
 CM12-FT	400525-101	400525-105	400525-118	400525-117	400625-142	-
 CM22 - 4W/6,9W	400127-181	400127-185	400127-198	400127-197	400127-142	400127-144
 CM22 - 2,5/3W (series 189 banjo/SCG551)	400127-081	400127-085	400127-098	400127-097	400904-542	400904-544
 C22A-2,5W (series 189/551)	43004416	43004417	43004419	43004422	43004166	43004167
 CM25 - 5/6,9W	400727-181	400727-185	400727-118	400727-117	400727-185	400727-118
 C25A-3W	43004469	43004473	43004471	43004472	43004473	43004471
 C30A	43005604	43005611	43005617	43005627	43005642	-
 M6 II -FT	238213-006	-	238213-033	238213-059	-	-
 M6 II -HT	-	-	-	-	238513-006	-
 M6 II -FB	-	-	-	-	-	-
 M6 II -HB	-	-	-	-	238513-106	-
 MXX II -FT	238613-006	238613-016	238613-033	238613-059	238713-006	-
 MXX II -HT	-	-	-	-	238913-006	-
 MXX II -HC	-	-	-	238813-059	-	-
 MXX II -FB	238613-106	-	-	238613-159	-	-
 MXX II -HB	-	-	-	-	238913-106	-
 ZA10	511239-009 511239-014				511239-002	

HOW TO ORDER

VALVES

Example of configuration (piston-type valve)



SOLENOID VALVES

Example of new 15-digit product code



15-DIGIT PRODUCT CODE (integrating the voltage/frequency)
E262K020S1N00F8

Example of configuration (solenoid valve with connector)

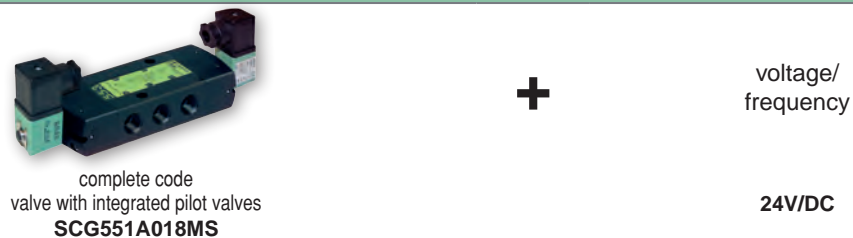


Example of configuration (solenoid valve with connector)



SPOOL VALVES

Example of configuration (threaded spool valve, solenoid air operated)



HOW TO ORDER

CYLINDERS

Example of configuration (new 453 series - 15-DIGIT PRODUCT CODE)

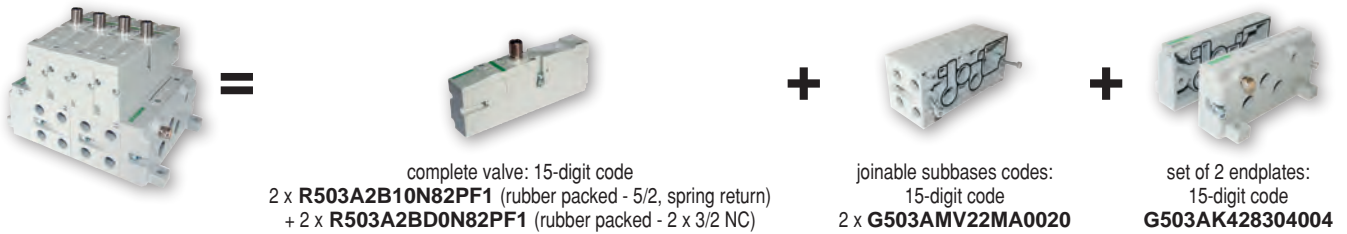


Example of configuration



SPOOL VALVES

Example of configuration (spool valve ISO 15407-1 26 mm, with subbase, solenoid air operated)



AIR PREPARATION

Example of configuration (filter/regulator)



INDEX CODE - PAGE

Code	Page	Code	Page	Code	Page	Code	Page
18900001	60	SCG238D017MO	16	28590215	64	E290B045	7
18900002	60	SCG238D018	16	28590238	65	E290B045FB	7
18900007	60	240-205	74	28590239	65	E290B047	7
18900010	60	240-239	74	28690023	64	E290B048	7
18900011	60	240-240	74	28690026	65	E290B051	7
18900018	60	240-291	74	SCG287A001	22	E290B052	7
18900019	60	240-292	74	E290A014	7	E290B053	7
18900032	9	240-309	74	E290A015	7	E290B053FB	7
19000005	60	240-325	74	E290A016	7	E290B054	7
19000006	60	SCG256B001VMS	13	E290A017	7	E290B069	8
19000008	60	SCG256B002VMS	13	E290A019	7	E290B070	8
19000013	61	SCG256B003VMS	13	E290A020	7	E290B071	8
19000014	61	SCG256B004VMS	13	E290A021	7	E290B079	8
19000016	61	SCG256B006VMS	14	E290A023	7	E290B080	8
19000017	60	SCG256B013VMS	13	E290A024	7	E290B081	8
19000018	61	SCG256B014VMS	13	E290A025	7	E290C5...	5
19000021	60	SCG256B015VMS	13	E290A030	8	E290CP...	5
19000022	60	SCG256B016VMS	13	E290A032	8	P290CA430078001	5
19201001	60	SCG256B402VMS	13	E290A034	8	P290CA438907001	5
19201002	60	SCG256B404VMS	13	E290A039	7	30210112--P	59
19201003	60	SCG256B434VMS	13	E290A040	7	30211109--D	59
19201007	60	SCG256B466VMS	13	E290A042	7	30211109--P	59
19201008	60	SCG256B470VMS	13	E290A043	7	30211112--D	59
19201009	60	26190067	64	E290A058	7	30211112--P	59
19201022	61	26190068	64	E290A059	7	30211113--D	59
19201023	61	26190069	64	E290A059FB	7	30211113--P	59
19201024	61	26290352	64	E290A060	7	30211122--D	59
19201028	61	26290353	65	E290A062	7	30211122--P	59
19201029	61	26290354	64	E290A063	7	30211127--D	59
19201030	61	E262...	13	E290A064	7	30211178--P	63
19201136	61	G262...	13	E290A064FB	7	30211179--P	63
19201137	61	8262...	13	E290A067	7	30212109--P	59
19201138	61	G262K002S1N00	13	E290A068	7	30215178--L	63
19201142	61	E262K013S1N00	13	E290A068FB	7	30215178--P	63
19201143	61	E262K020S1N00	13	E290A073	8	30215179--P	63
19201144	61	E262K020S1V00	13	E290A075	8	30400001	63
SCE210A015	16	E262K022S1N00	13	E290A077	8	30400007	63
SCB210B030	15	E262K022S1V00	13	E290A082	8	30400008	63
SCE210B057	15	E262K023S1N00	13	E290A083	8	30400011	63
SCE210B154	15	E262K090S1N00	14	E290A085	7	30400024	63
SCE210B155	15	E262K090S1NG0	14	E290A086	7	30701001	88
SCE210B156	15	E262K108S1N00	13	E290A384	7	30701002	88
SCE210C033	15	E262K108S1V00	13	E290A385	7	30701005	88
SCE210C034	15	E262K108S1N01	13	E290A386	7	30701006	88
SCE210C035	15	E262K109S1N00	13	E290A387	8	30701009	88
SCE210C087	15	E262K109S1N01	13	E290A388	8	30701010	88
SCE210C093	15	E262K109S1V00	13	E290A389	8	30701011	88
SCE210C093MO	15	E262K110S1V00	13	E290A390	9	30701012	88
SCE210C094	15	E262K112S1N00	13	E290A391	7	30701013	88
SCE210C094MO	15	E262K112S1N01	13	E290A392	7	30701015	88
SCE210D001	16	E262K112S1V00	13	E290A393	7	30800001	89
SCE210D002	16	E262K114S1N00	13	E290A394	7	30800005	89
SCE210D004	16	E262K114S1TD0	18	E290A394FB	7	30800010	89
SCE210D009	16	E262K182S1N00	13	E290A395	7	30800011	89
SCE210D022	16	E262K182S1N01	13	E290A395FB	7	30800012	89
SCE210D095	15	E262K182S1V00	13	E290A396	8	30800016	89
SCE210C095MO	15	E262K184S1N01	13	E290A397	8	30800017	89
SCE210-100	16	E262K202S1N00	13	E290A398	8	30800018	89
E220K...	17	E262K202S1N01	13	E290A399	7	30800027	89
SCE222E002LT	18	E262K208S1N00	13	E290A400	7	30800030	89
238213-006	121	E262K208S1E00	13	E290A482	7	30900001	89
238213-016	121	E262K208S1N01	13	E290A485	7	30900002	89
238213-033	121	E262K210S1N00	14	E290A487	7	30900003	89
238213-059	121	E262K210S1V00	14	E290A488	7	30900004	89
238613-006	121	E262K212S1N00	14	E290A490	8	30900006	89
238613-016	121	E262K212S1TD0	18	E290A492	8	31000006	89
238613-033	121	E262K214S1W00	13	E290A498	7	31000011	89
238613-059	121	E262K232S1E00	13	E290A500	7	31000013	89
238613-106	121	E262K232S1N00	13	E290A501	7	31090001	89
238613-159	121	E262K232S1N01	13	E290A503	8	31090002	89
238813-059	121	E262K232S1TD0	18	E290A505	8	E314...	25
SCE238D001	16	E262K261S1N00	14	E290A623	8	E314K007S1VN1	24
SCE238D001MO	16	E262K262S1N00	14	E290A624	8	E314K008S1N00	24
SCE238D002	16	E262K262S1V00	14	E290A625	8	E314K008S1V00	24
SCE238D002MO	16	E262K264S1N00	14	E290A791	7	E314K034S1VN0	24
SCE238D003	16	E262K265S1N00	14	E290A791FB	7	E314K035S1N00	24
SCE238D003MO	16	G262K002S1NG0	13	E290A791VI	8	E314K035S1N01	24
SCE238D004	16	H262K020S1EM0	13	E290A792	7	E314K035S1VN1	24
SCE238D004MO	16	26390002	64	E290A792FB	7	E314K036S1N00	24
SCE238D005	16	26390005	65	E290A792VI	8	E314K054S1N00	24
SCE238D005MO	16	E263K124S1N01	14	E290A793	7	E314K054S1N01	24
SCE238D006	16	E263K200S1N01	14	E290A793FB	7	E314K068S1V00	24
SCE238D006MO	16	E263K195S1N01	14	E290A793VI	8	E314K130S1N00	24
SCE238D007	16	E263K331S1N01	14	E290A794	8	E314K143S1N01	9
SCE238D007MO	16	SCE263-209LT	18	E290A795	8	32000001	89
SCE238D008	16	SCE263A210LT	18	E290A796	8	SCB327B001	24
SCE238D008MO	16	SCE263B206LT	18	E290A797	7	SCG327B001	24
SCE238D009	16	26490026	64	E290A798	7	SCB327B002	24
SCE238D009MO	16	26690001	64	E290A799	7	SCG327B002	24
SCE238D010	16	26690003	64	E290B002	7	33400036	65
SCG238A044	15	26690017	65	E290B004	7	34200061	109
SCG238A046	15	26690018	64	E290B005	7	34200062	109
SCG238A047	15	26790001	64	E290B008	7	34200063	109
SCG238A048	15	26790002	64	E290B009	7	34200311	104
SCG238A049	15	26790013	65	E290B010	7	34200312	104
SCG238A050	15	28490040	65	E290B011	7	34200313	104
SCG238D101V	17	28490041	65	E290B026	8	34200314	104
SCG238D102V	17	28490043	65	E290B027	8	34200997	109
SCG238D103V	17	28490001	64	E290B028	8	34201471	109
SCG238D104V	17	28490002	64	E290B036	8	34225005	104
SCG238D016	16	28490005	64	E290B037	8	34225006	104
SCG238D017	16	28590213	64	E290B038	8	34225007	104

2017/R01
Availability, design and specifications are subject to change without notice. All rights reserved.

INDEX CODE - PAGE

Code	Page	Code	Page	Code	Page	Code	Page
34225008	104	35500087	79	400727-185	121	P493AL42C000A00	39
34225103	101	35500088	79	400904-542	121	P493AL431000A00	39
34225122	102	35500101	79	400904-544	121	P493AL432000A00	39
34225124	102	35500165	79	43004166	121	P493AP127000A00	44
34225134	103	35500166	79	43004167	121	P493AP131000A00	44
34225183	101	35500169	79	43004416	121	P493AP132000A00	44
34225184	101	35500170	79	43004417	121	P493AQ131000A00	44
34225201	102	35500171	79	43004419	121	P493AQ132000A00	44
34225202	102	35500173	79	43004422	121	P493B3111000A00	44
34225204	102	35500174	79	43004469	121	P494A0021100A00	56
34225213	103	35500192	79	43004471	121	P494A0021300A00	56
34225254	103	35500324	80	43004472	121	P494A0021400A00	56
34225259	104	35500333	80	43004473	121	P494A0021500A00	56
34225260	104	35500334	80	43005157	121	P494A0021700A00	56
34225261	104	35500335	80	43005171	121	P494A0022100A00	56
34225262	104	35500336	80	43005272	121	P494A0022300A00	56
34225268	104	35500337	80	43005604	121	P494A0022500A00	56
34225270	104	35500338	80	43005611	121	P494A0022600A00	56
34300011	113	35500339	80	43005617	121	P494A0022800A00	56
34300014	109	35500341	80	43005627	121	P494A0029400A00	56
34300015	109	35500342	80	43005642	121	P494A3129200A00	56
34300016	109	35500343	80	G435	36	P494A3129300A00	56
34300041	109	35500344	80	G438	37	P494A3129600A00	56
34325005	113	35500345	80	G441	34	P494A4129300A00	56
34600001	115	35500346	80	G449	40	P494A4129600A00	56
34600002	115	35500382	79	G450	43	P494A5129200A00	56
34600003	115	35500560	79	G453A...	42	P494A5129600A00	56
34600004	115	35500562	79	492...	45	P494A6129600A00	56
34600005	115	SCG356B001VMS	24	P493A1111000A00	44	P494A8129200A00	56
34600006	115	SCG356B002VMS	24	P493A1112100A00	44	P494AJ129300A00	56
34600107	115	SCG356B004VMS	24	P493A1121100A00	44	P494AK129300A00	56
34600108	115	SCG356B006VMS	24	P493A1122100A00	44	P494AK129600A00	56
34600109	66	SCG356B014VMS	24	P493A1123100A00	44	P494AL129300A00	56
34600119	116	SCG356B053VMS	24	P493A1125100A00	44	P494AM129300A00	56
34600127	116	SCG356B466VMS	24	P493A1126000A00	44	P494AP129200A00	56
34600130	117	SCG356B467VMS	9	P493A1127000A00	44	P4994406200N001	56
34600131	117	SCG356B470VMS	24	P493A1128000A00	44	P4994406210N001	56
34600136	116	35700002	64	P493A1129000A00	44	P4994406220N001	56
34600137	116	35700003	64	P493A3112100A00	44	P499A2440617A00	56
34600138	116	35700004	64	P493A3121110A00	44	R501...	68
34600139	116	35700014	64	P493A3122100A00	44	G503...	72
34600156	114	35700018	64	P493A3123100A00	44	P503AB428359001	72
34600207	115	35700020	64	P493A3125100A00	44	R503...	68
34600209	66	SCE370A002	24	P493A3126000A00	44	511239-009	121
34600213	116	SCE370A017	24	P493A3127000A00	44	511239-014	121
34600214	116	SCE370A017MS	24	P493A3128000A00	44	51900001	81
34600215	116	SCE370A021MS	24	P493A3129000A00	44	51900002	81
34600406	116	SCE370A057V	24	P493A3131000A00	44	51900004	81
34600407	115	SCHTE370A017	24	P493A3131000A00	44	51900005	81
34600408	115	E390A016	10	P493A3132000A00	44	519000078	80
34600409	115	E390A017	10	P493A3134000A00	44	52000001	81
34600413	114	E390A020	10	P493A4111000A00	44	52000002	81
34600414	114	E390A021	10	P493A4112100A00	44	52000003	81
34600415	114	E390B002	10	P493A4121110A00	44	52000004	81
34600418	115	E390B005	10	P493A4122100A00	44	52000005	81
34600419	115	E390B008	10	P493A4123100A00	44	52000006	81
34600476	79	E390B009	10	P493A4125100A00	44	52000007	81
34600481	115	E390B010	10	P493A4126000A00	44	52000008	81
34600482	115	E390B011	10	P493A4127000A00	44	52000009	81
34600483	115	E390B026	10	P493A4128000A00	44	52000010	81
34600491	115	E390B027	10	P493A4129000A00	44	52000077	80
34600493	115	E390B028	10	P493A4131000A00	44	52000078	80
34602018	114	E390A032	10	P493A4132000A00	44	52000079	80
34602019	114	E390A489	10	P493A4134000A00	44	52000090	81
34602020	114	E390A490	10	P493A5111000A00	44	52000189	81
34602021	114	400127-081	121	P493A5112110A00	44	52000192	81
34602022	114	400127-085	121	P493A5122100A00	44	52000193	81
34602124	116	400127-097	121	P493A5123100A00	44	52000196	81
34602125	116	400127-098	121	P493A5125100A00	44	52000209	81
34602126	116	400127-142	121	P493A5126000A00	44	52000376	80
34602152	114	400127-144	121	P493A5127000A00	44	52000380	81
34602153	114	400127-181	121	P493A5128000A00	44	52000386	81
34602154	114	400127-185	121	P493A5129000A00	44	52100001	81
34602155	114	400127-197	121	P493A5131000A00	44	52100002	81
34602156	114	400127-198	121	P493A5132000A00	44	52100003	81
34602181	114	400325-101	121	P493A5134000A00	44	52100004	81
34602182	114	400325-105	121	P493A6111000A00	44	52100005	81
34602183	114	400325-117	121	P493A6112100A00	44	52100006	81
34602188	114	400325-118	121	P493A6121110A00	44	52100008	81
34602221	114	400325-142	121	P493A6122100A00	44	52100009	81
34602222	114	400325-201	121	P493A6123100A00	44	52100010	81
34602223	114	400325-217	121	P493A6125100A00	44	52100077	80
34602224	114	400325-242	121	P493A6126000A00	44	52100078	80
34602444	100	400425-101	121	P493A6127000A00	44	52100079	80
34602451	114	400425-105	121	P493A6128000A00	44	52100090	81
34900012	117	400425-117	121	P493A6129000A00	44	54101017	75
34900015	117	400425-118	121	P493A6129000A00	44	54101018	75
34900018	117	400425-142	121	P493A8111000A00	44	54101019	75
34900019	117	400425-144	121	P493A8121110A00	44	54101020	75
34900030	117	400426-101	121	P493A8122100A00	44	54101021	75
34900031	117	400426-105	121	P493A8123100A00	44	54101022	75
35300047	61	400426-117	121	P493A8125100A00	44	54191023	75
35300048	61	400426-142	121	P493A8126000A00	44	54191024	75
35300049	61	400525-101	121	P493A8127000A00	44	54191025	75
35300057	61	400525-105	121	P493A8128000A00	44	54191026	75
35300069	61	400525-117	121	P493A8129000A00	44	54191027	75
35300070	61	400525-118	121	P493A8131000A00	44	54191028	75
35300071	61	400625-142	121	P493A8132000A00	44	54191029	76
35500061	79	400625-242	121	P493A8134000A00	44	54191030	76
35500076	79	400727-117	121	P493AJ42C000A00	39	54202017	75
35500077	79	400727-118	121	P493AJ431000A00	39	54202018	75
35500085	79	400727-181	121	P493AJ432000A00	39	54202019	75

INDEX CODE - PAGE

Code	Page	Code	Page	Code	Page
54202020	75	A651A0000000409	101	88130802	89
54202021	75	A651A0000000410	101	88130803	89
54292023	76	A651A0000000411	101	88130804	89
54292024	76	A651A0000000412	101	88130807	89
54292027	76	A651A0000000413	101	88131001	89
54292028	76	A651A0000000414	101	88131005	89
54292029	76	A651A0000000415	101	88135517	79
54391023	76	G651AB...	103	88135527	80
54391027	76	G651AD...	108	88135528	80
54391028	76	G651AL...	105	88135532	80
54400003	75	G651AP...	102	88143567	118
54490017	76	G651AR...	104	88143580	118
54490022	76	G651A3...	107	88143581	118
55000009	91	G651A4...	106	88263002	59
55000010	91	G651A5...	106	CGT	54
55000011	91	G651A6...	106	M1MB	115
55000012	89	P651AT503860001	113	M2MB	115
55000039	91	P651AT503861001	113	M3MB	115
55000040	91	P651AT504958001	113	M4MB	115
55000043	91	P651AT513928001	113	M5MB	115
55000046	89	T651AT504959002	113	M6MB	115
55000047	89	A652A0000000001	101	SE50HB	115
55102005	84	A652A0000000002	101	SE100HB	115
55102009	84	A652A0000000003	101	SE200HB	115
55102011	84	A652A0000000007	101	SEV37C	116
55102118	84	A652A0000000008	101	SEV50C	116
55102082	86	A652A0000000009	101	VB-1	109
55102083	86	A652A0000000013	101		
55102084	89	A652A0000000014	101		
55102086	86	A652A0000000015	101		
55102088	86	A652A0000000019	101		
55102089	86	A652A0000000020	101		
55102091	86	A652A0000000021	101		
55102092	86	G652...	100		
55102093	86	P652AT502466001	113		
55102094	86	P652AT503860002	113		
55102095	86	P652AT503861002	113		
55102096	87	P652AT513177001	113		
55102097	87	T652AT502468002	113		
55102098	87	T652AT502468008	113		
55102099	87	P699AT502467001	113		
55102118	84	M699AY438663001	109		
PVXG551A005	28	88100034	83		
PVXG551A005MS	28	88100035	83		
PVXG551A017	28	88100036	83		
PVXG551A017MS	28	88100037	83		
PVXG551A018	28	88100038	83		
PVXG551A018MS	28	88100049	83		
SCG551A001	27	88100074	75		
SCG551A001MS	27	88100256	93		
SCG551A002MS	27	88100344	84		
SCG551A005MS	27	88100727	93		
SCG551A017MS	27	88100919	83		
SCG551A018MS	27	88100921	83		
SCG551A067MS	27	88122404	118		
G551A101	27	88122405	118		
G551A105	83	88122406	118		
G551A106	83	88122407	118		
G551A117	83	88122410	118		
G551A118	83	88122413	118		
55200036	86	88122602	118		
55200038	87	88122603	118		
608010110	93	88122604	118		
608010111	93	88122605	118		
608012310	93	88122608	118		
608012311	93	88122612	118		
608030110	93	88122618	118		
608030111	93	88122619	118		
608032310	93	88122620	118		
608032311	93	88122621	118		
608060110	93	88122627	116		
608060111	93	88126110	64		
608062310	93	88126401	64		
608062311	93	88128408	64		
608260111	93	88130203	59		
609010110	93	88130211	118		
609010111	93	88130401	81		
609012310	93	88130735	88		
609012311	93	88130736	88		
609030110	93	88130737	88		
609030111	93	88130739	88		
609032310	93	88130740	88		
609032311	93	88130741	88		
609060110	93	88130742	88		
609060111	93	88130743	88		
609062310	93	88130744	88		
609062311	93	88130745	88		
609210111	93	88130753	88		
609212311	93	88130754	88		
609260111	93	88130755	88		
609262311	93	88130757	88		
614357...	95	88130758	88		
G617...	97	88130759	88		
A651A0000000400	101	88130760	88		
A651A0000000401	101	88130761	88		
A651A0000000402	101	88130762	88		
A651A0000000403	101	88130763	88		
A651A0000000404	101	88130766	88		
A651A0000000405	101	88130767	88		
A651A0000000406	101	88130770	88		
A651A0000000407	101	88130771	88		
A651A0000000408	101	88130775	88		

ASCO™



Scan to see digital version on <http://www.asco.com/en-gb/Pages/products-solutions.aspx>



10007 (FC.GB.R8) • 3838300 • 05/2017