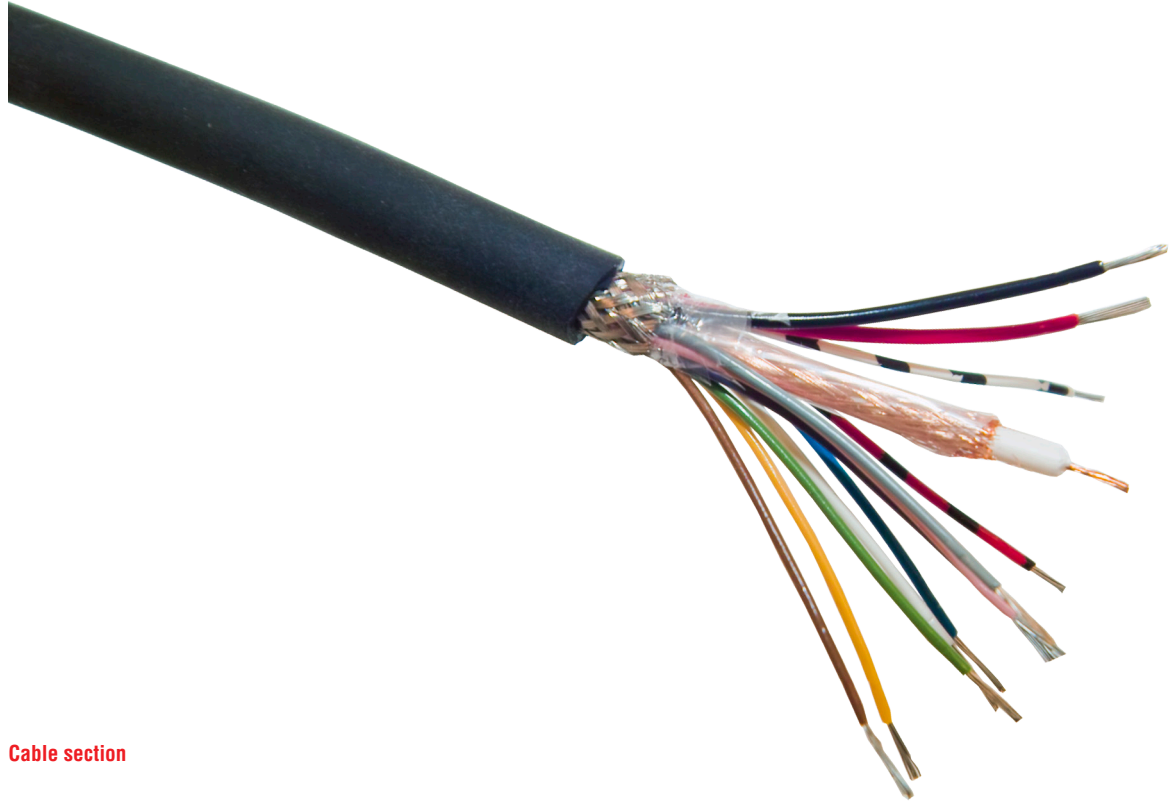


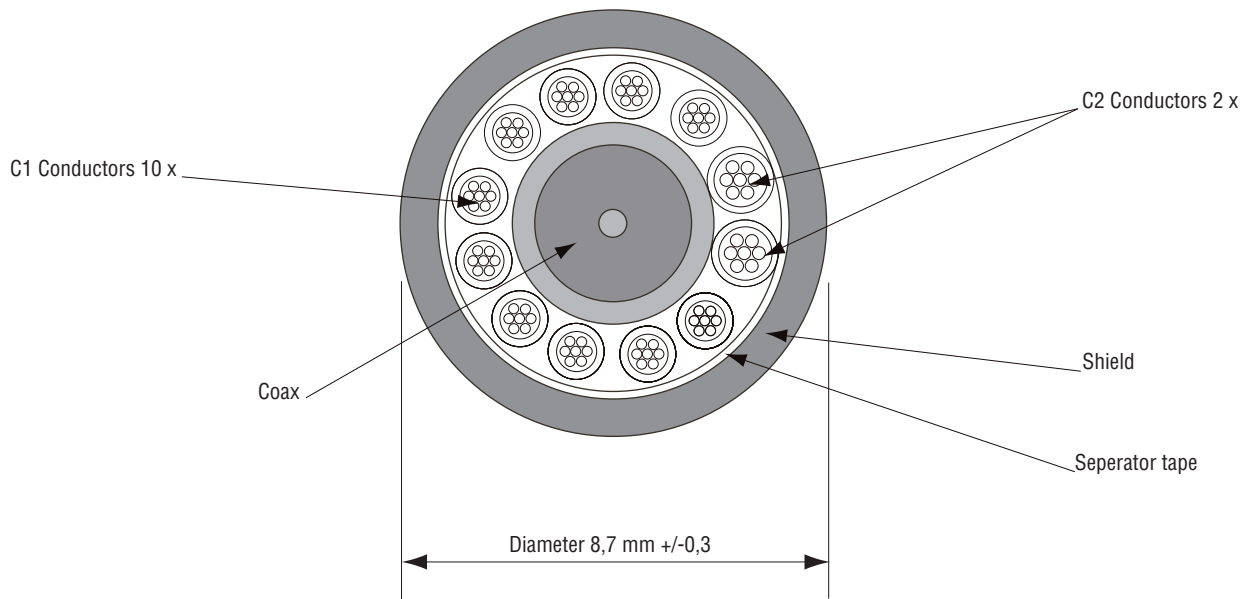
Vision is  
our mission®

Multi Cable 1x coax + 12x wires PUR  
Article no. 1220250  
2018 • DS0960422 EN A01

# Product Data



Cable section



## TECHNICAL DATA

### Multi Cable 1x Coax + 12x wires PUR

	<b>Description</b>
<b>Article number</b>	<b>1220250</b>
<b>Coax</b>	Coax Cable 7 x 0,20 mm. Shield Braided, White Foam skin.
<b>C1 Conductor</b>	10 x AWG24 7 x 0,20mm, tinned copper. According to UL 1581 Tab 20.1, Color: Black/white, Red/black, White, Blue. Yellow, Green, Brown, Violet, Pink, Grey.
<b>C2 Conductor</b>	2 x AWG20 19 x 0,20mm, tinned copper. According to UL 1581 Tab 20.1, Color: Black, Red.
<b>Jacket</b>	Overall diameter 8,7mm +/-0,3mm (Max), Colour: Black RAL 9005.
<b>Shield</b>	Braided bare copper, coverage > 85% + polyester tape.
<b>Temperature range</b>	-40°...+85°C.
<b>Impedance Coax</b>	75 Ω.
<b>Flame-retardant</b>	According to IEC 60332-3-25 cat. D.
<b>Halogenfree</b>	Cable jacket is halogenfree, conductors are not halogenfree.
<b>Min. bending radius</b>	Static:104,4mm.

All data subject to change without notice. All dimensions are for commercial purpose only.

The camera/display systems from Orlaco comply with the latest CE, ADR, EMC and mirror-directive regulations, where applicable.

All products are manufactured in accordance with the ISO 9001 quality management system, ISO/TS 16949 quality automotive, ISO 14001 environmental management systems and all Ex products with the IECEx scheme and ATEX directives, where applicable.

