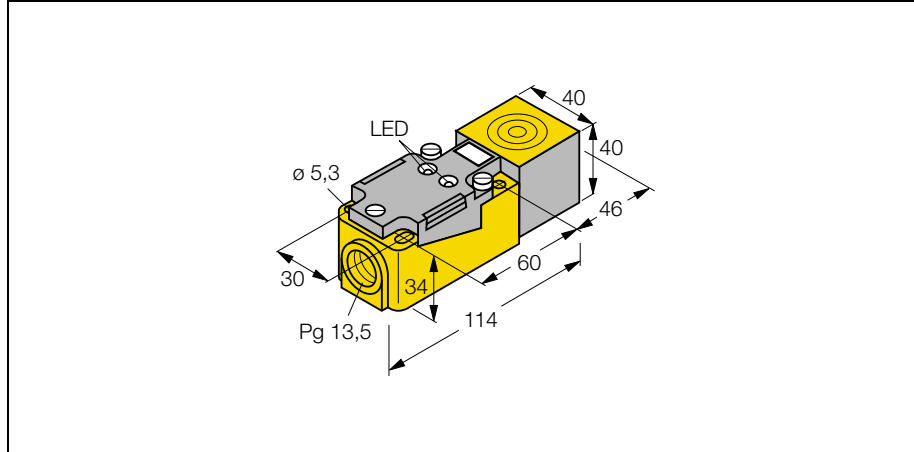


Inductive Sensor uprox®

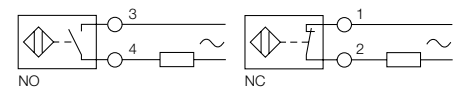
BI15U-CP40-FDZ30X2

**combi
prox®**



- Inductive sensor *uprox*
- AC/DC 2-wire
- Factor 1 for all metals
- Magnetic field immune
- Rectangular
- Turnable sensing head (5 positions)
- Plastic
- Terminal chamber

Wiring diagram



Operating principles

Inductive sensors serve wear-free and non contact detection of metal objects. Uprox Factor 1-sensors have considerable advantages because of their patented ferrite-less 3-coil system. They detect all metals with the same operating distance, are magnetic field immune and have high operating distances.

Type	BI15U-CP40-FDZ30X2
Ident-No.	4280600
Rated operating distance Sn	15,0 mm
Mounting mode	flush
Hysteresis H	3...15%
Max. relative temperature drift	≤10 % v.E
Min. repeat accuracy	≤2 % v.E
Operation temperature	-25...70°C
Rated operational voltage (DC) U_e	10...300VDC
Rated operational voltage (AC) U _e	20...250VAC
Rated operational current (DC) I _e	300 mA
Rated operational current (AC) I _e	400 mA
Max. OFF-state current	≤1,7 mA
Output function	normally closed/ normally open connection programmable
Short-circuit protection	yes
Max. switching frequency	≤0,06 kHz
Utilisation category AC	140
Rated insulation voltage	1,5 kV
Max. voltage drop at I _e	≤6,0 V
Overload trip point	>500 mA
Min. operational current I _m	≥3 mA
Degree of protection	IP 67
Protection class	2
Housing style	rectangular; CP40
Dimension (l x b x h)	160,0 x 40,0 x 40,0mm
Housing material	Plastic; PBT-GF30-V0
Active face	Plastic; PBT-GF30-V0
Vibration resistance	55 Hz (1 mm)
Shock resistance	30 x g (11 ms)
Wiring	Terminal chamber

Supply voltage indication
Switching status indication

LED; green
LED; yellow

Inductive Sensor uprox®

BI15U-CP40-FDZ30X2



Mounting accessories

Typ	Ident-No.	Text	Dimension drawing
JUSTIERSCHIENE JS 025/037	69429	Mounting rail; Material: VA 1.4301	
SCHUTZGEHÄUSE SG40	69500	Protective housing; Material mounting socket: PA (nach UL94/V-2); Cover plate: PBT-GF30; For extreme ambient conditions; Degree of protect.:IP 68, 5 m w.g.	
SCHUTZGEHÄUSE SG40/2 (ULTEM)	69497	Protective housing; Material mounting socket/cover plate: ULTEM; Heat-resistant up to +170 °C, esp. resistant against UV- and ozone; Degree of protection IP 68, 5 m w.g.	