

Part Number: ERV-GR 80.16



Note: Components not true to scale. Picture may differ from original product.

© ELAFLEX HIBY, Hamburg / Germany

<https://ervconfigurator.elaflex.de/ERV-GR/80MM/L130MM/.16/STANDARD/.16/STANDARD/STANDARD/STANDARD/STANDARD/Product11.html>

### Bellows

#### ERV-GR 'Green Band'

GREEN BAND expansion joints for chemicals, acids, alkalis and aggressive chemical waste water. For oil-contaminated compressed air up to +90° C. Temperature range (depending on medium) -20° C up to +100° C, temporarily up to +110° C. Electrically non-conductive.

Cover: CSM

Liner: CSM, seamless, abrasion resistant

Marking: Green band, ERV DN .., PN .., production date

### Size DN

**DN 80 mm / 3"**

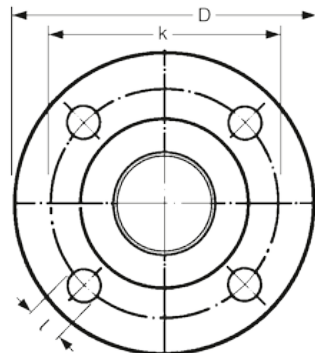
### Length

**BL 130 mm**

### Flange 1

**DIN PN 16**

Dimension: D: 200 mm, k: 160 mm, 8 holes, l: 18 mm



### Material 1

**Zinc Plated Steel**



Flange 2	<b>Same as first flange</b>
Material 2	<b>Same as first material</b>
Limiters	<b>Without limiter</b> Without limiter (Standard)
Accessories	<b>No further accessories</b> Without accessories (Standard)
Flame Protection	<b>Without flame protection</b> Without flame protection (Standard)

### Permissible Vacuum [mbar] for Type ERV-GR

DN	25	32	40	50	65	80	100	125	150	200	250	300	350	400	450	500	600	700	
no VSD / VSR	max.	max.	max.	max.	-700	-600	-400	-300	-300	-300	-200	-100							
with VSD				max.	max.	max.	max.	max.	max.	-600	-400	-200							
with VSR										max.	max.	max.	max.	max.	max.	-700	-700	-700	
with VSRV																max.	max.	max.	
with TAS				max.	max.	max.	max.	max.	max.	-600	-400	-200							
with TA	Nicht geeignet für Vakuum.																		

Data measured at room temperature with new expansion joints in standard length and non swelling media. For swelling media use a safety factor.

A compressed installation improves the in the table listed vacuum resistance. The maximum permissible elongation (L max.) reduces the vacuum resistance by 50%.

For this case we recommend to use vacuum support spirals or vacuum support rings (see catalogue page 468). Dependencies of overpressure, range of movement and temperature please see table on catalogue page 404.

### Contact:

ELAFLEX HIBY GmbH & Co. KG  
 Schnackenburgallee 121  
 22525 Hamburg (Germany)  
 Tel.: +49 40 540 005 0  
 Fax: +49 40 540 005 67  
 E-Mail: [info@elaflex.de](mailto:info@elaflex.de)  
 Internet: [www.elaflex.com](http://www.elaflex.com)